

Super Combi 1, Supervised

FSW251

KOMPAN
Let's play



产品编号 FSW25100-0900

产品信息概览

长宽高尺寸	533x550x325 cm
适用年龄段	13+
容纳人数	13
颜色选择	



The Super Combi 1 Gated has the same options as the standard Super Combi 1 but also has a connector for battle rope, a connector for a boxing bag, and a station for barbell exercises. This item is intended for supervised or gated areas such as sports or fitness clubs, as these loose items do not satisfy safety standards for public

places.
Supervised products are only for areas that are gated or fenced-off, like fitness clubs with supervision or gated communities.



Super Combi 1, Supervised

FSW251



立柱由 $\text{Ø}101.6 \times 2\text{mm}$ 制成，预镀锌碳钢，粉末涂层，可在所有情况下提供出色的保护。



产品编号 FSW25100-0900

安装信息

最大跌落高度	200 cm
安全面积	46.3 m ²
安装总时长	11.5
开挖量	0.83 m ³
混凝土使用量	0.50 m ³
标准入地深度	90 cm
运输重量	609 kg
固定选项	入地 ✓ 地表 ✓

质保信息

EcoCore HDPE	终身质保
镀锌钢结构	终身质保
PUR 部件	10 年
承保零部件	10 年
钢	10 年

Sustainability Data

FSW251



从原材料到成品

CO₂ 排放总量

CO₂ 排放量 / 千克

回收的原料

kg CO₂e

kg CO₂e/kg

%

FSW25100-0900

948.55

2.41

56.70

这些因素采用的总体框架为环保产品声明 (EPD), 该声明可量化“产品生命周期的环保信息, 并对相同功能的产品进行对比”(ISO, 2006)。在遵循该框架的同时, 对从原材料到制造的整个产品阶段 (A1-A3) 应用生命周期评估法。

Kompan A/S

C.F. Tietgens Boulevard 32C
DK-5220 Odense SØ
Denmark



Verification of CO₂ calculation of: Fitness



Data version no. 2023-10-05

The CO₂ calculation and data are in compliance with the principles of a carbon footprint impact according to the GHG protocol (Greenhouse Gas Protocol), Scope 3, cradle to gate related to all individual components in the product category: "Fitness" represented by item no.: FAZ10100-0900.

(Scope 3 emissions include emission sources in the upstream and downstream value chain).

Date: 30. October 2023 | Valid until: 30. October 2025

Verified by:

Julie Marie Vejsgaard Larsen, LCA & EPD Consultant

Verification based on report: Validation of CO₂ calculation of 9 categories of Kompan product line, version 1.0, prepared by: Bureau Veritas HSE, Denmark: Julie M. V. Larsen.

Publication date: 30. October 2023

By Bureau Veritas HSE
www.bureauveritas.dk
+45 7731 1000

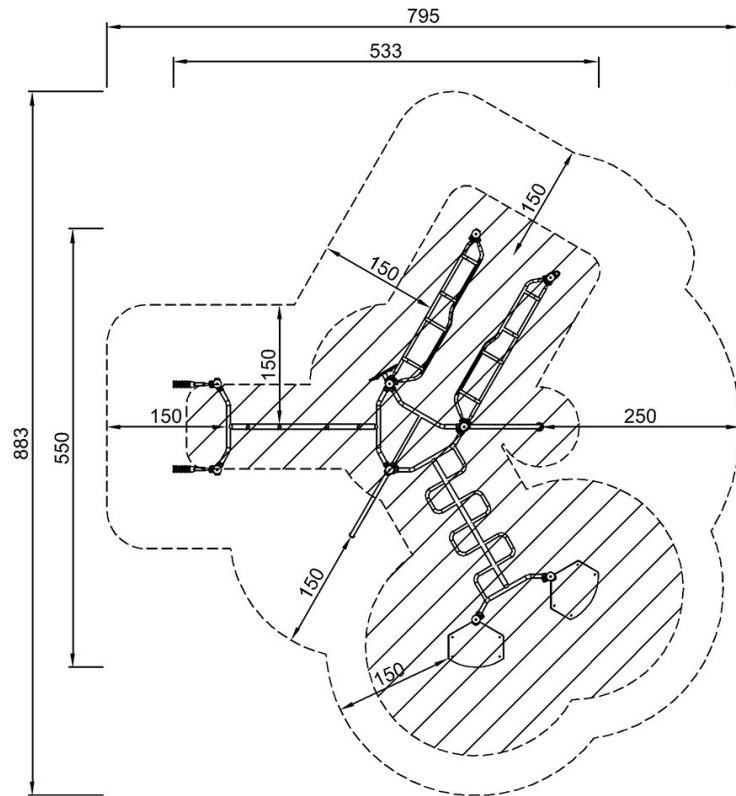


Super Combi 1, Supervised

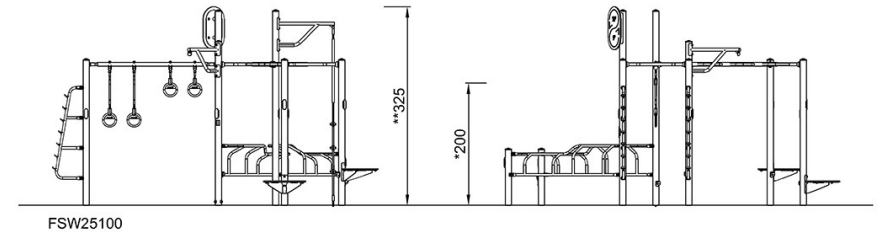
FSW251

最大跌落高度 | 总高度 | 安全区域

最大跌落高度 | 总高度



FSW25100
*200cm
**325cm
***46.3m²



[点击查看俯视图](#)

[点击查看侧面图](#)