

Chest Press Pro

FAZ601

KOMPAN
Let's play



Grazie al carico regolabile e alle maniglie multifunzione, la macchina facilita gli esercizi personalizzati che rafforzano i muscoli estensori di petto, spalle e gomiti con un movimento in avanti. Le macchine e le panche per lo strength consentono un allenamento semplice, sicuro ed efficace per tutti i principali gruppi muscolari. Questo aumenta la capacità

funzionale quotidiana, soprattutto per gli anziani, le prestazioni sportive, l'aspetto estetico e la forma metabolica. Il gruppo di pesi da 80 kg è completamente coperto e può essere regolato in 16 livelli da 5 kg grazie a una maniglia intelligente e brevettata. Questo rende il prodotto molto facile da usare e completamente sicuro da collocare all'aperto!

Codice articolo FAZ60100-0001

Informazioni generali prodotto

Dimensioni (LxLxA) 194x107x214 cm

Età d'uso 13+

Capacità di gioco 1

Opzioni colori

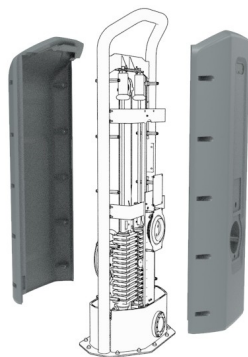


Maggiori Informazioni sull'App KOMPAN Fit

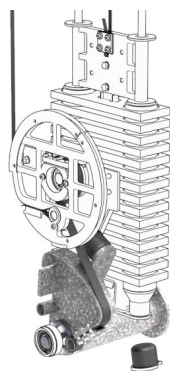


Chest Press Pro

FAZ601



The cover protects all the moving parts from vandalism and entrapments. The cover is made of 5mm rotomolded LLDPE, Linear low-density polyethylene, with excellent impact strength and usable within a large temperature span.



The resistance unit and all mechanical stops are hidden in the fully closed cabinet. As a result, entrapment is not possible, making it extremely safe to use and providing protection against the elements. The products are EN 16630 certified and comply with the ASTM F3101 for unsupervised outdoor fitness equipment.



The seat is made of Polyurethane Rubber and has a steel insert plate that is electro-galvanized. The steel plate connects the seat to the frame. This construction makes the seat extremely durable against wear & tear and still very comfortable for a great user experience. The seat is positioned at a height of 46 cm, a comfortable height that makes the transfer from a wheelchair easy.



The ergonomically shaped handles have different grip areas for adaptable training, allowing people from 140 – 205 cm tall, to perform the exercise ergonomically correctly and at the same time allowing multiple different exercises. The handles are Aluminum cast and have a diameter of \varnothing 33mm. The Grip Powder coating, used on the support handle, is highly durable against wear and tear, offers isolation, and simultaneously gives users an outstanding grip during their workout.



The 80kg weight stack is fully covered and can be adjusted with a rotatable handle in 16 steps of 5 kg. The smart selector system is intuitive in use and patent-pending. No pins that get lost or get stuck, you simply pull and rotate the handle to change to select a different weight.



The input shaft is \varnothing 101,3 x 2,9mm S355 Hot Dip Galvanized and Powder-coated steel. The bearing house is Cast Aluminum (EN AB-44100 / EN AB-AISi12(a)) with self-aligning sealed ball bearings. An extremely strong and durable construction

Codice articolo FAZ60100-0001

Informazione installazione

Max. altezza di caduta	44 cm
Superficie di sicurezza	18,0 m ²
Tempo d'installazione totale	8,6
Volume di scavo	0,00 m ³
Volume di calcestruzzo	0,00 m ³
Profondità di base (standard)	0 cm
Peso della spedizione	487 kg
Opzioni ancoraggio	Superficie ✓

Garanzie

Acciaio zincato	Garanzia a vita
Parti mobili	2 anni
Componenti PUR	10 anni
Garanzia pezzi di ricambio	10 anni
Componenti in acciaio inossidabile	Garanzia a vita



Sustainability Data

FAZ601



Cradle to Gate A1-A3	Total CO ₂ emission	CO ₂ e/kg	Recycled materials
	kg CO ₂ e	kg CO ₂ e/kg	%
FAZ60100-0001	1.014,58	2,97	42,45

The overall framework applied for these factors is the Environmental Product Declaration (EPD), which quantifies "environmental information on the life cycle of a product and enable comparisons between products fulfilling the same function" (ISO, 2006). This follows the structure and applies a Life-Cycle Assessment approach to the entire Product stage from raw material through manufacturing (A1-A3))

Kompan A/S
C.F. Tietgens Boulevard 32C
DK-5220 Odense SØ
Denmark



Verification of CO₂ calculation of: Fitness



Data version no. 2023-10-05

The CO₂ calculation and data are in compliance with the principles of a carbon footprint impact according to the GHG protocol (Greenhouse Gas Protocol), Scope 3, cradle to gate related to all individual components in the product category: "Fitness" represented by item no.: FAZ10100-0900.

(Scope 3 emissions include emission sources in the upstream and downstream value chain).

Date: 30. October 2023 | Valid until: 30. October 2025

Verified by:

Julie Marie Vejsgaard Larsen, LCA & EPD Consultant

Verification based on report: Validation of CO₂ calculation of 9 categories of Kompan product line, version 1.0, prepared by: Bureau Veritas HSE, Denmark: Julie M. V. Larsen.

Publication date: 30. October 2023

By Bureau Veritas HSE
www.bureauveritas.dk
+45 7731 1000

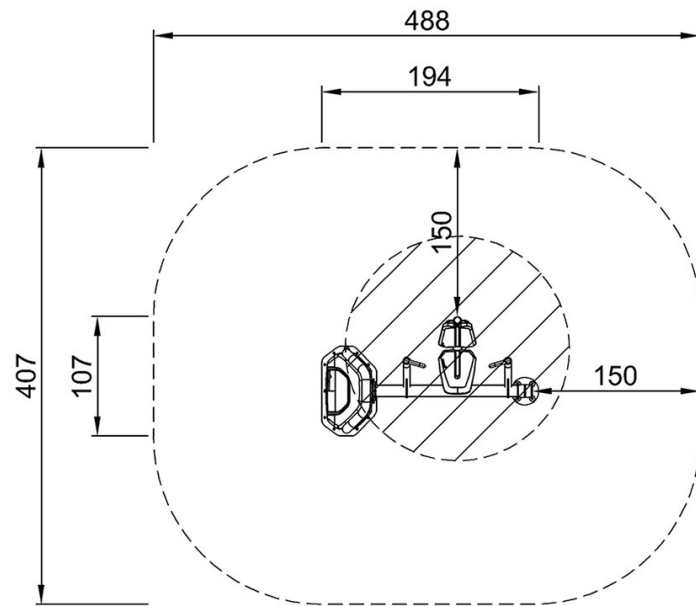


Chest Press Pro

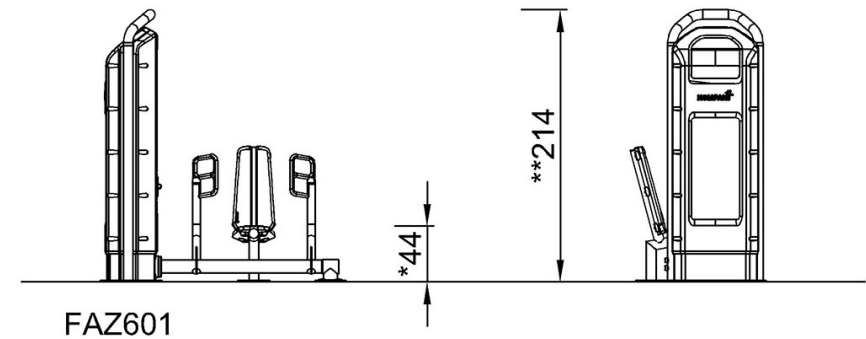
FAZ601

Altezza di caduta massima | Altezza totale | Superficie di sicurezza

Altezza di caduta massima | Altezza totale



FAZ60100
*44cm
**214cm
***18m²



[Fai clic per visualizzare il rapporto VISTA SUPERIORE](#)

[Fai clic per visualizzare il rapporto VISTA LATERALE](#)