

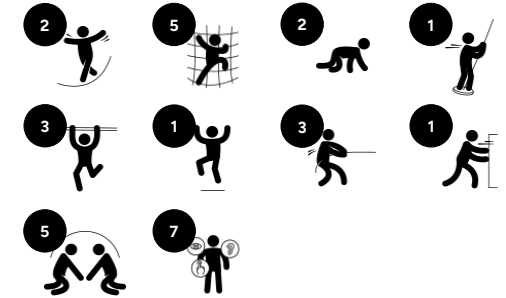
# Wooden Rope Climber M

KPW250401

**KOMPANI**



품번 KPW250401-0901	
일반 제품 정보	
크기 (가로 × 세로 × 높이)	404x188x282 cm
이용 연령	4+
이용 가능 인원	13
색상 옵션	●

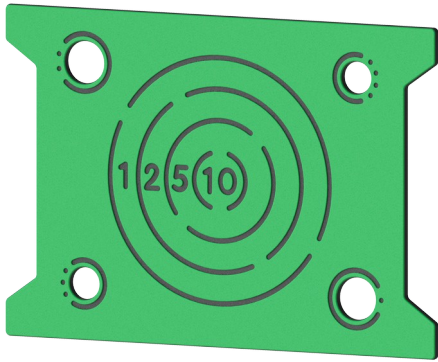


The Wooden Rope Climber immediately attracts children to the dense activity hub. Thanks to the varied climbing activities and route opportunity, all children have a chance of doing something. The fireman's pole provides a thrilling destination. The openness in design also invites conversation and social interaction across the Climber. This supports children's

socio-emotional development. With its combination of activities, the Climbing Structure stimulates children's cross-coordination, strength and bone density. All of these abilities are built for life in childhood.

# Wooden Rope Climber M

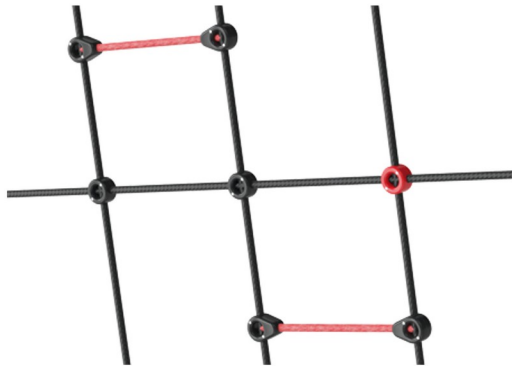
KPW250401



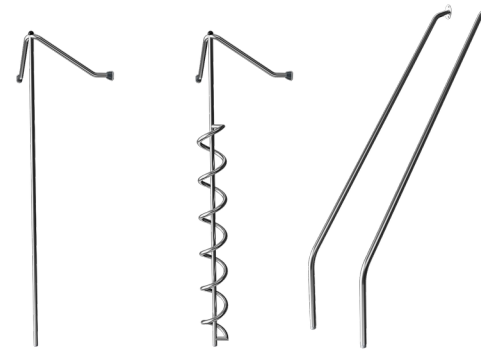
19mm EcoCore™ 패널. EcoCore™ 는 매우 내구성이 뛰어나고 친환경적인 소재로, 식품 포장 폐기물 재활용 소재를 95% 이상 함유하고 있습니다. 또한 사용 후 재활용이 가능합니다.

The main tower posts are available in two types of material: European pine wood posts, pressure impregnated Class 3 according to EN335 (Equivalent to NTR Class AB). Aluminum post t=2mm with anodized surface treatment. Base material EN AW-6060 T66.

The stainless-steel activities are made of high-quality stainless steel. The steel is cleaned by a total pickling process after manufacturing to ensure a smooth and clean gliding surfaces.



Ropes of UV-stabilized PES rope strands with inner steel cable reinforcement. The polyester yarn is made from +95% post-consumer materials and is inductively melted onto each strand.



품번 KPW250401-0901	
설치 정보	
최대 낙하 높이	148 cm
안전 바닥 면적	26.5 m <sup>2</sup>
총 설치 시간	7.6 시간
굴착량	0.99 m <sup>3</sup>
콘크리트 사용량	0.50 m <sup>3</sup>
기초 깊이 (표준)	90 cm
운송 중량	245 kg
고정 방식 옵션	In-ground ✓ Surface ✓
보증 정보	
파인우드	10 년
알루미늄	15 년
CircularHDPE	평생
로프 및 네트	10 년
보증 대상 예비 부품	10 년

**EN  
1176**  
compliant

# 지속 가능성 데이터

KPW250401



## Independent review certificate

Kompan A/S  
C. F. Tietgens Blvd. 32C, 5220 Odense SØ

Bureau Veritas hereby attests that the CO<sub>2</sub>e-calculations (covering materials, processing, waste and transport) done by Kompan for "Nature Play", meet the requirements set by the listed standard.

Kompan A/S uses a selection of EPDs and emission factors from the Life Cycle Assessment database Ecoinvent 3.11. These values are reported as kg CO<sub>2</sub>e, with all other impact categories excluded in line with the scope of ISO 14067:2018. The emission factors cover, material use, manufacturing processes, transport to Kompan, and electricity used during manufacturing. The presented emissions fall under GHG Protocol scope 3 emissions. Scope 1 and 2 are not presented. Scope 3 emissions include emission sources in the upstream value chain of a company, downstream emissions are excluded in this analysis.

Method: ISO 14067:2018 using GHG protocol guidance documents, reported as kg CO<sub>2</sub>e.

### Object

The verification has been done on the one pager "NRO40901-0601" version: 27-10-2025. The supporting documentation "KOMPAN data\_updated emissions factors\_2025\_V2" and "Emissions factors, EPD's and ecoinvent 3.11\_2025" was also reviewed and approved.

### Declaration

The verification has been completed as a critical review with a limited assurance. I hereby confirm that nothing has come to the reviewer's attention which would lead to conclude that the study does not give an accurate depiction or isn't completed following method of the CO<sub>2</sub>e calculation, the requirements of ISO 14067:2018, and 14071:2024, in the above referenced documentation.

**Note:** This verification only covers calculation elements according to method described in ISO 14067:2018 and may not be seen as a Life Cycle Assessment according to ISO 14067:2018.

**Ref.:** Kompan\_Verification report 2025, 28-10-2025

**Date of certificate:** 29-10-2025

**Expire date:** 29-10-2027

**Verified by:** Julie Marie Vejsgaard Larsen, Environmental Auditor

**Signature:**

원료 채취 ~ 공장 출하 (A1~A3)	총 CO <sub>2</sub> 배출량	CO <sub>2</sub> 배출량 /kg	재활용 소재
	kg CO <sub>2</sub> e	kg CO <sub>2</sub> e/kg	%
<b>KPW250401-0901</b>	477.15	2.68	27.41

이 요소들에 적용된 전체 프레임워크는 환경 제품 선언 (Environmental Product Declaration, EPD) 으로, "제품의 전 과정에서 발생하는 환경 정보를 수치화하고, 동일한 기능을 수행하는 제품 간 비교를 가능하게 하는 것" (ISO, 2006) 을 목표로 합니다. 이 프레임워크는 구조를 준수하며, 원재료 단계부터 제조 단계 (A1-A3) 까지의 전체 제품 단계를 대상으로 한 전과정평가 (Life-Cycle Assessment, LCA) 접근법을 적용합니다.

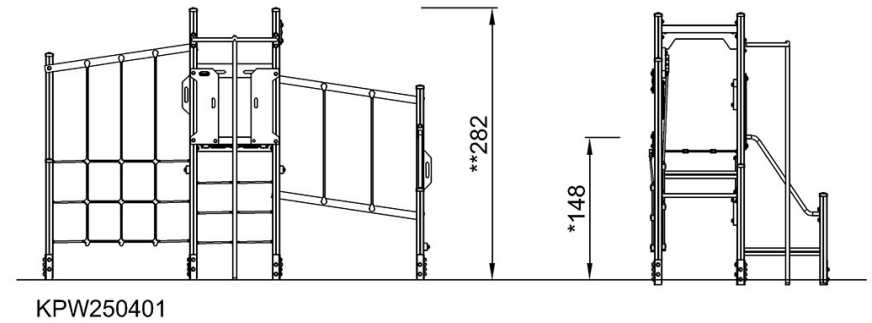
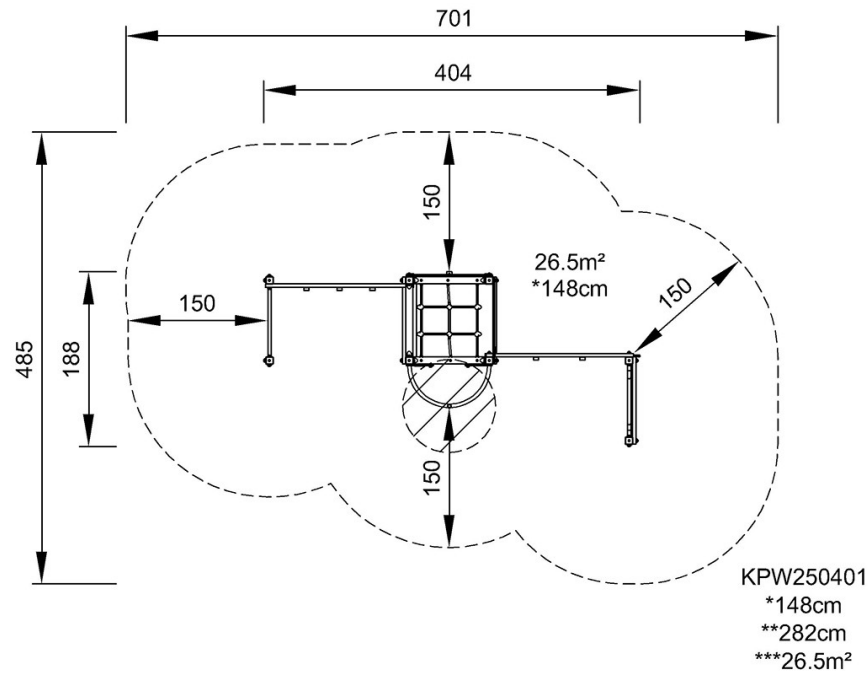
# Wooden Rope Climber M

KPW250401

KOMPANI®

\* 최대 낙하 높이 | \*\* 전체 높이 | \*\*\* 안전 바닥 면적

\* 최대 낙하 높이 | \*\* 전체 높이



[위에서 보기](#)

[옆에서 보기](#)