

Bootcamp toestel

FST930

KOMPAN
Let's play



Item nummer FST93000-0801

Algemene Product Informatie

Afmetingen LxBxH	195x585x262 cm
Leeftijdsgroep	13+
Speelcapaciteit	8
Kleuropties	 



Dit toestel biedt alles wat je nodig hebt voor een training. Het is een multifunctionele sportplek die ruimte biedt aan groepen van ruim 10 personen. Het is mogelijk om barbells op verschillende hoogtes op te bergen, en bokszakken en allerlei ander trainingsmateriaal te bevestigen (suspension trainers, klimtouwen, gevechtstouwen,

weerstandsbanden etc.).

Bootcamp toestel

FST930



The pull up bars are 180 cm long and have a diameter of 32 mm. The bar is hot dip galvanized and the surface is powder coated, this provides a smooth service and allows users to perform dynamic exercises without getting injuries.



The post of the Bootcamp Base is made of 80x80x3mm and is Hot Dip Galvanized. Due to these over sized posts the structure is almost unbreakable and very rigid.



This is called a J-Hook, you can adjust them to set up the bar at the right height for each of your lifts. KOMPAN J-hooks are heavy duty and fit securely in place so you can focus on your workout without having to worry about hook slippage or movement. They are hot galvanized and can resist all weather conditions.

Item nummer FST93000-0801

Installatie informatie

Max. valhoogte	150 cm
Veiligheidszone	38,4 m ²
Totale installatietijd	9,6
Graafwerk (vol.)	1,60 m ³
Benodigd beton	0,78 m ³
Verankeringsdiepte	80 cm
Verzendingsgewicht	659 kg
Verankeringsopties	In-ground ✓ Oppervlak ✓

Garantie informatie

Gecoate stalen onderdelen	10 jaar
Gegalvaniseerd staal	Levenslang



Alle KOMPAN-fitnessproducten voldoen aan de ASTM F3101 & EN16630 Outdoor Fitness-normen. De belastingstesten worden uitgevoerd als een statische test door dynamische factoren en veiligheidsfactoren toe te voegen aan de gespecificeerde belasting van 78 kg per gebruiker. Een product dat bedoeld is voor 1 gebruiker wordt belast met 420 kg.



One of the cool opportunities the FST930 offers is the opportunity to add a boxing bag to the structure. All the hardware is in place to click on your boxing bag and start working out! The bolts and connectors are made from stainless steel and extremely durable.



Sustainability Data

FST930



Cradle to Gate A1-A3	Total CO ₂ emission	CO ₂ e/kg	Recycled materials
	kg CO ₂ e	kg CO ₂ e/kg	%
FST93000-0801	1.340,34	2,59	49,94

The overall framework applied for these factors is the Environmental Product Declaration (EPD), which quantifies "environmental information on the life cycle of a product and enable comparisons between products fulfilling the same function" (ISO, 2006). This follows the structure and applies a Life-Cycle Assessment approach to the entire Product stage from raw material through manufacturing (A1-A3))

Kompan A/S
 C.F. Tietgens Boulevard 32C
 DK-5220 Odense SØ
 Denmark



Verification of CO₂ calculation of: Fitness



Data version no. 2023-10-05

The CO₂ calculation and data are in compliance with the principles of a carbon footprint impact according to the GHG protocol (Greenhouse Gas Protocol), Scope 3, cradle to gate related to all individual components in the product category: "Fitness" represented by item no.: FAZ10100-0900.

(Scope 3 emissions include emission sources in the upstream and downstream value chain).

Date: 30. October 2023 | Valid until: 30. October 2025

Verified by:

Julie Marie Vejsgaard Larsen, LCA & EPD Consultant

Verification based on report: Validation of CO₂ calculation of 9 categories of Kompan product line, version 1.0, prepared by: Bureau Veritas HSE, Denmark: Julie M. V. Larsen.

Publication date: 30. October 2023

By Bureau Veritas HSE
 www.bureauveritas.dk
 +45 7731 1000

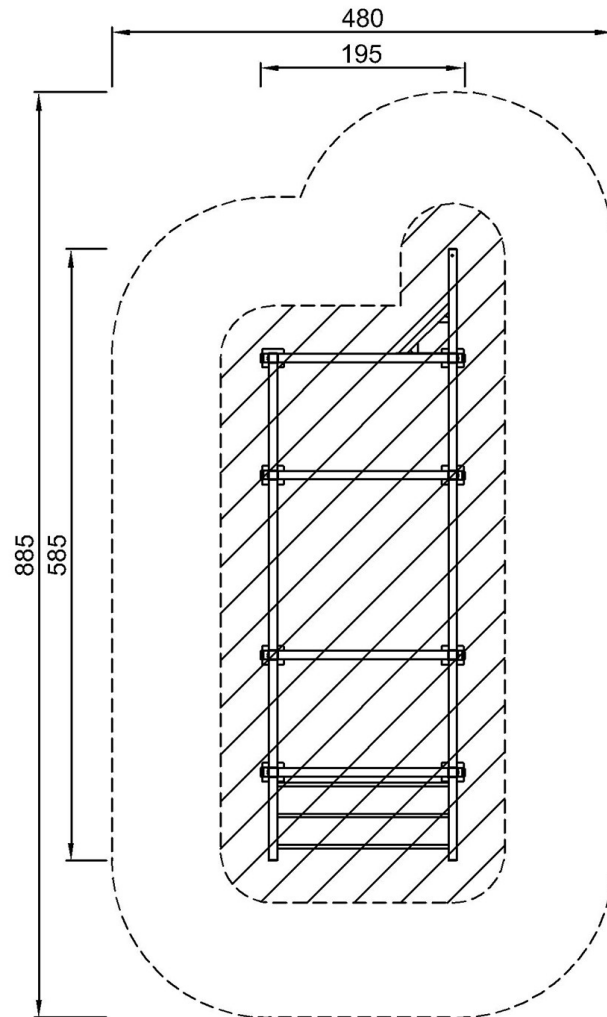


Bootcamp toestel

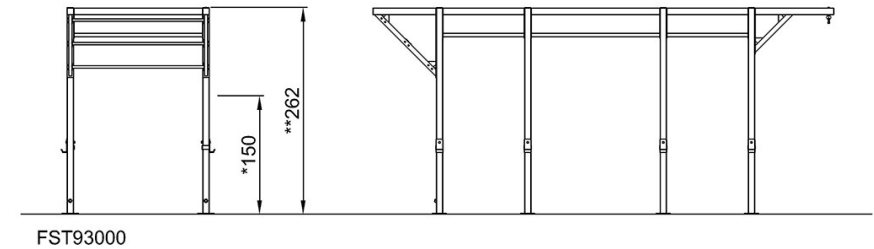
FST930

Max. valhoogte | Totale Hoogte | Veiligheidszone

Max. valhoogte | Totale Hoogte



FST93000
*150cm
**262cm
***38.4m²



[Bekijk BOVENAANZICHT](#)

[Bekijk ZIJAAANZICHT](#)