

Wip Wap Seesaw

NAT103



Item no. NAT103-0512

General Product Information

Dimensions LxWxH	302x37x97 cm
Age group	3+
Play capacity (users)	2
Color options	



The Wip Wap Seesaw is a playground classic. It attracts players again and again, as it has for generations. The classic play event is still with us for a reason: the tickling in the stomach when going up high, and going down fast is eternally appealing. The Seesaw stimulates the sense of space and rhythm. These are crucial motor skills that help children navigate the

world securely, e.g. in the street when estimating time, movement and objects. The social dimension and degree of trust in your peer that is demanded when seesawing is great training of socio-emotional life skills such as turn-taking and cooperation. Empathy is trained as well, as players consider others' limits and limitations. Or as they get inspired to

try out things they didn't dare to do before, because other children dare to.



Wip Wap Seesaw

NAT103



Posts and boards are made of pine wood from sustainable European sources. The wood is pressure impregnated Class 3 with Tanalith E3475 according to EN335 (Equivalent to NTR Class AB). On request it can be supplied as FSC® Certified (FSC® C004450).



The steel surfaces are hot dip galvanized inside and outside with lead free zinc. The galvanization has excellent corrosion resistance in outside environments and requires low maintenance.

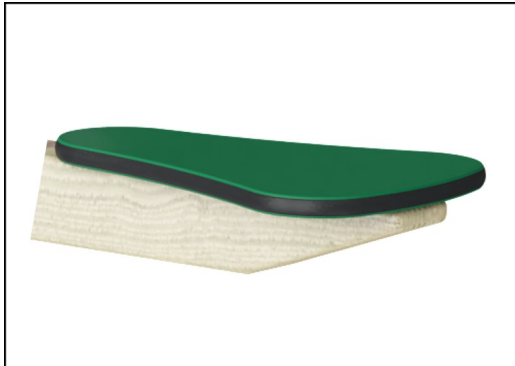


The rocking movement is controlled by a heavy duty scaled rubber torsion spring element.

Item no. NAT103-0512

Installation Information

Max. fall height	118 cm
Safety surfacing area	11.0 m ²
Total installation time	4.0
Excavation volume	0.23 m ³
Concrete volume	0.00 m ³
Footing depth (standard)	46 cm
Shipment weight	151 kg
Anchoring options	In-ground ✓ Surface ✓



Panels of 19mm EcoCore™. EcoCore™ is a highly durable, eco friendly material, which is not only recyclable after use, but also consists of material produced from +95% recycled post consumer material from food packing waste.



Colored steel components have a base of hot dip galvanization and a powder coated top finish. This provides an ultimate corrosion resistance in all climates around the world. Other steel surfaces are hot dip galvanized inside and outside with lead free zinc.



Sustainability Data

NAT103



Cradle to Gate A1-A3	Total CO ₂ emission	CO ₂ e/kg	Recycled materials
	kg CO ₂ e	kg CO ₂ e/kg	%
NAT103-0512	136.40	0.96	18.50

The overall framework applied for these factors is the Environmental Product Declaration (EPD), which quantifies "environmental information on the life cycle of a product and enable comparisons between products fulfilling the same function" (ISO, 2006). This follows the structure and applies a Life-Cycle Assessment approach to the entire Product stage from raw material through manufacturing (A1-A3))

Kompan A/S
 C.F. Tietgens Boulevard 32C
 DK-5220 Odense SØ
 Denmark



Verification of CO₂ calculation of: Nature play



Data version no. 2023-10-05

The CO₂ calculation and data are in compliance with the principles of a carbon footprint impact according to the GHG protocol (Greenhouse Gas Protocol), Scope 3, cradle to gate related to all individual components in the product category: "Nature play" represented by item no.: NRO409-0621.

(Scope 3 emissions include emission sources in the upstream and downstream value chain).

Date: 30. October 2023 | Valid until: 30. October 2025

Verified by:

Julie Marie Vejsgaard Larsen, LCA & EPD Consultant

Verification based on report: Validation of CO₂ calculation of 9 categories of Kompan product line, version 1.0, prepared by: Bureau Veritas HSE, Denmark: Julie M. V. Larsen.

Publication date: 30. October 2023

By Bureau Veritas HSE
 www.bureauveritas.dk
 +45 7731 1000

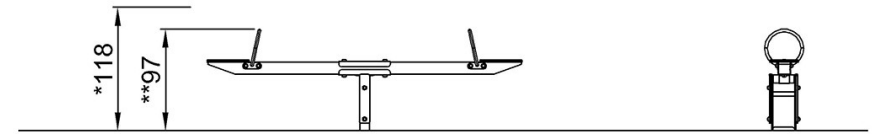
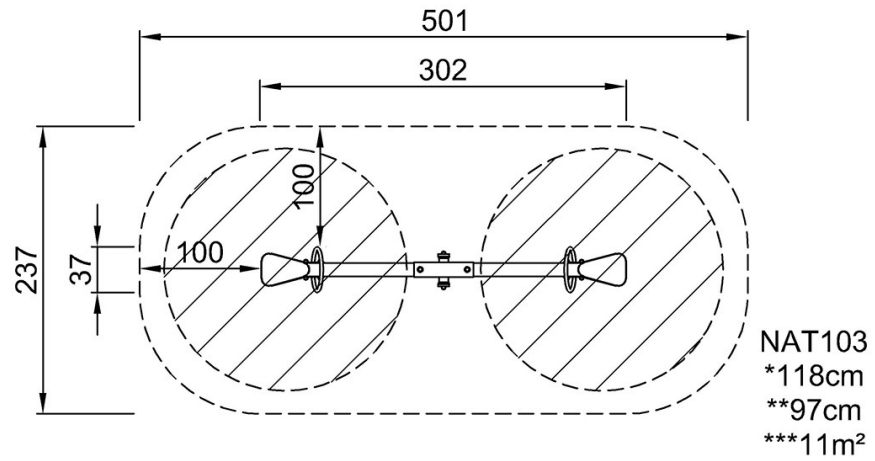


Wip Wap Seesaw

NAT103

* Max fall height | ** Total height | *** Safety surfacing area

* Max fall height | ** Total height



NAT103

[Click to see TOP VIEW](#)

[Click to see SIDE VIEW](#)