

Square Pull Up Station Robinia

FRO218

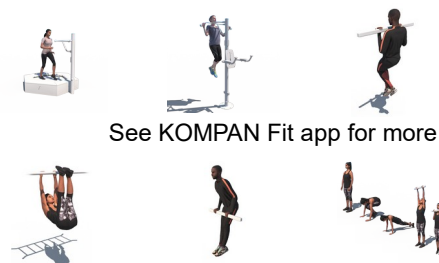
KOMPAN
Let's play



Item no. FRO21800-1001

General Product Information

Dimensions LxWxH	171x171x261 cm
Age group	13+
Play capacity (users)	4
Colour options	



See KOMPAN Fit app for more



The Square pull-up Station can be used in many ways and by multiple users at the same time. Exercises range from normal pull-ups to the most dynamic and advanced exercises such as the Flying Monkey, where you fly from one bar to another. The Pull Up Bars are made from solid steel and have a diameter of 32 mm. Ideal size for both men and women to have a

good grip. As the highest bar is connected at a height of 233 cm everyone will be able to hang freely, to make sure that everyone can reach the pull-up bars there are 2 stepping pods at different heights.

The Robinia bars are made from de-barked and sap-free Robinia trunks in various dimensions. Robinia is a native European

wood species with high strength and natural durability in various climatic conditions. KOMPAN uses wood from FSC-certified sources.



Data is subject to change without prior notice.

Square Pull Up Station Robinia

FRO218



All Organic Robinia products by KOMPAN are made of Robinia wood from sustainable European sources. On request it can be supplied as FSC® Certified (FSC® C004450).



The Robinia wood can be supplied as untreated raw wood or painted with a brown coloured transparent pigment that maintains the golden wood colour of the wood.



All bars intended for pull ups are made of solid, ø32mm x 138 m, hot dip galvanised, S235JR steel bars. This diameter gives the right grip for everyone.

Item no. FRO21800-1001

Installation Information

Max. fall height	133 cm
Safety surfacing area	19.7 m ²
Total installation time	5.9
Excavation volume	0.79 m ³
Concrete volume	0.24 m ³
Footing depth (standard)	100 cm
Shipment weight	363 kg
Anchoring options	In-ground ✓ Surface ✓

Warranty Information

Hot dip galvanised steel	Lifetime
Robinia wood	15 years
Spare parts guaranteed	10 years



All KOMPAN fitness products are compliant with the ASTM F3101 & EN16630 Outdoor Fitness Standards. Load tests are performed as a static test by adding dynamic factors as well as safety factors to the specified load of 78kg per user. A product intended for 1 user is loaded with 420kg.



Sustainability Data

FRO218



Cradle to Gate A1-A3	Total CO ₂ emission	CO ₂ e/kg	Recycled materials
	kg CO ₂ e	kg CO ₂ e/kg	%
FRO21800-1001	128.27	0.48	7.28

The overall framework applied for these factors is the Environmental Product Declaration (EPD), which quantifies "environmental information on the life cycle of a product and enable comparisons between products fulfilling the same function" (ISO, 2006). This follows the structure and applies a Life-Cycle Assessment approach to the entire Product stage from raw material through manufacturing (A1-A3))

Kompan A/S
 C.F. Tietgens Boulevard 32C
 DK-5220 Odense SØ
 Denmark



Verification of CO₂ calculation of: Fitness



Data version no. 2023-10-05

The CO₂ calculation and data are in compliance with the principles of a carbon footprint impact according to the GHG protocol (Greenhouse Gas Protocol), Scope 3, cradle to gate related to all individual components in the product category: "Fitness" represented by item no.: FAZ10100-0900.

(Scope 3 emissions include emission sources in the upstream and downstream value chain).

Date: 30. October 2023 | Valid until: 30. October 2025

Verified by:

Julie Marie Vejsgaard Larsen, LCA & EPD Consultant

Verification based on report: Validation of CO₂ calculation of 9 categories of Kompan product line, version 1.0, prepared by: Bureau Veritas HSE, Denmark: Julie M. V. Larsen.

Publication date: 30. October 2023

By Bureau Veritas HSE
 www.bureauveritas.dk
 +45 7731 1000

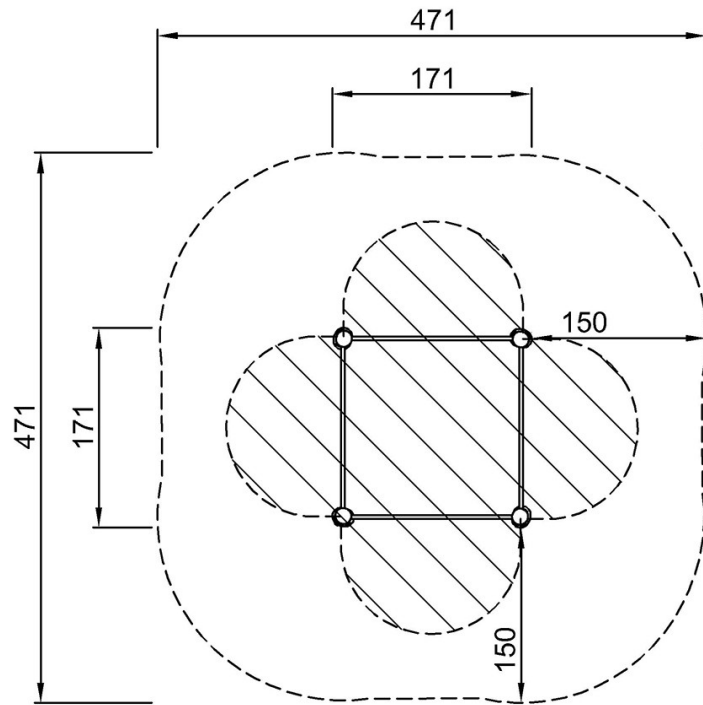


Square Pull Up Station Robinia

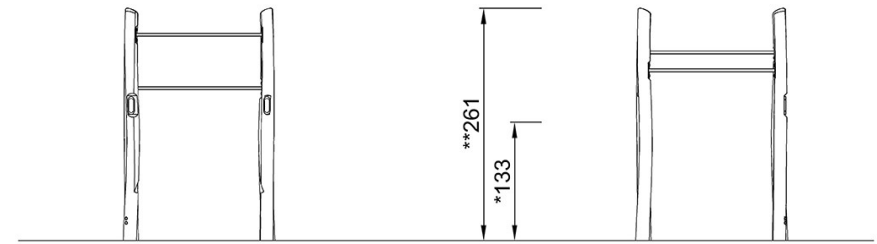
FRO218

* Max fall height | ** Total height | *** Safety surfacing area

* Max fall height | ** Total height



FRO21800
*133cm
**261cm
***19.7m²



FRO21800

[Click to see TOP VIEW](#)

[Click to see SIDE VIEW](#)