

Inclusive Chest Press

FSW243



Item no. FSW24300-0902	
General Product Information	
Dimensions LxWxH	1'8"x2'8"x6'3"
Age group	13+
Play capacity (users)	1
Color options	

The Inclusive Chest Press is thoughtfully designed for accessibility, offering ample space for wheelchair users. It provides gentle strength training for the chest, shoulders, and arms. Although the resistance remains low, users can increase workout intensity by performing more repetitions and fully extending their arms with each rep. This combination of accessibility and

versatility makes it a valuable addition to any inclusive fitness space.



Inclusive Chest Press

FSW243



The Steel posts are made of Ø101,6x2,0mm pre-galvanized steel tube. The posts are powder coated, corrosion class C3 according to ISO12944-2.



The chest press is wheelchair accessible and all individuals with a minimum height of 140cm will be able to use the product without compromising their normal posture.

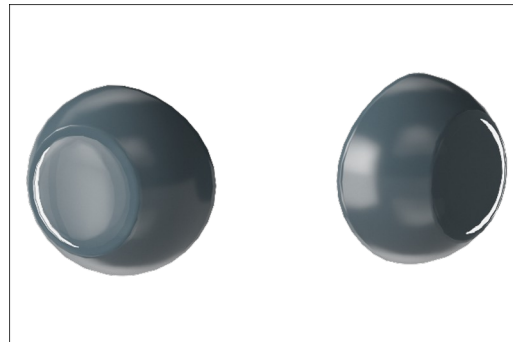


The resistance is controlled by heavy duty scaled ROSTA torsion spring element. The ROSTA element works without any noise and are maintenance free. The ROSTA element allows the user to both push and pull depending on the desired exercise.

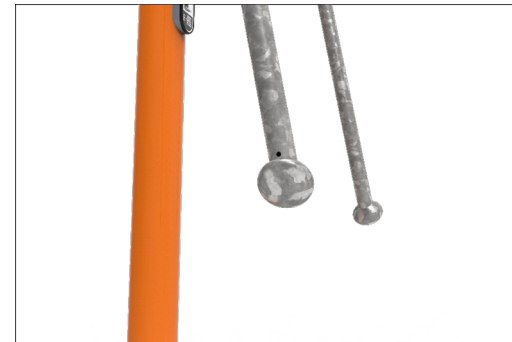
Item no. FSW24300-0902	
Installation Information	
Max. fall height	0'0"
Safety surfacing area	88ft ²
Total installation time	2.2
Excavation volume	0.08yd ³
Concrete volume	0.05yd ³
Footing depth (standard)	2'11"
Shipment weight	126lbs
Anchoring options	In-ground ✓ Surface ✓
Warranty Information	
Hot dip galvanized steel	Lifetime
ROSTA element	2 Years
Spare Parts Availability	10 Years
Steel frame	10 Years



The product must feature an information sign with related exercises, and each exercise must feature a QR code linking to its related exercise portal in an app that offers support on the specific exercise. The sign must additionally offer a QR code for downloading the app.



The post top and do-nuts are made from polyamide PA6 nylon.



The handle knobs are made of S235 hot-dip galvanized steel according to KS0106 and a grip diameter of 77,3mm. The grips provide safety and an ergonomic experience when using the machine.

**ASTM
F3101**
compliant

Sustainability Data

FSW243



Cradle to Gate A1-A3	Total CO ₂ emission	CO ₂ e/kg	Recycled materials
	kg CO ₂ e	kg CO ₂ e/kg	%
FSW24300-0902	111.51	2.67	49.58

The overall framework applied for these factors is the Environmental Product Declaration (EPD), which quantifies "environmental information on the life cycle of a product and enable comparisons between products fulfilling the same function" (ISO, 2006). This follows the structure and applies a Life-Cycle Assessment approach to the entire Product stage from raw material through manufacturing (A1-A3))

Kompan A/S
 C.F. Tietgens Boulevard 32C
 DK-5220 Odense SØ
 Denmark



Verification of CO₂ calculation of: Fitness



Data version no. 2023-10-05

The CO₂ calculation and data are in compliance with the principles of a carbon footprint impact according to the GHG protocol (Greenhouse Gas Protocol), Scope 3, cradle to gate related to all individual components in the product category: "Fitness" represented by item no.: FAZ10100-0900.

(Scope 3 emissions include emission sources in the upstream and downstream value chain).

Date: 30. October 2023 | Valid until: 30. October 2025

Verified by:

Julie Marie Vejsgaard Larsen, LCA & EPD Consultant

Verification based on report: Validation of CO₂ calculation of 9 categories of Kompan product line, version 1.0, prepared by: Bureau Veritas HSE, Denmark: Julie M. V. Larsen.

Publication date: 30. October 2023

By Bureau Veritas HSE
 www.bureauveritas.dk
 +45 7731 1000

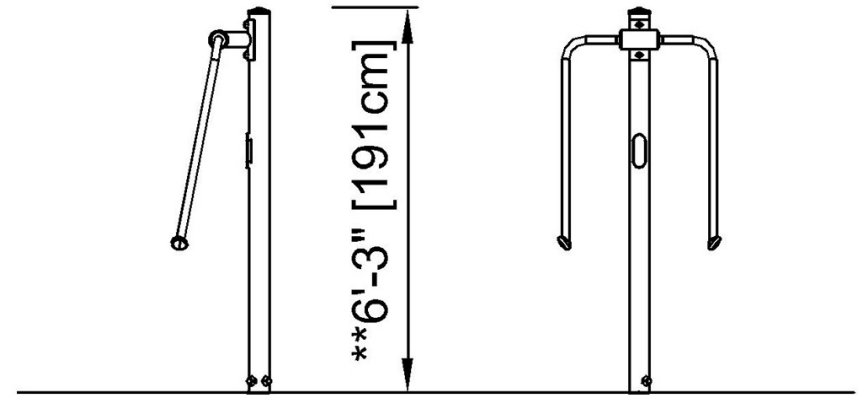
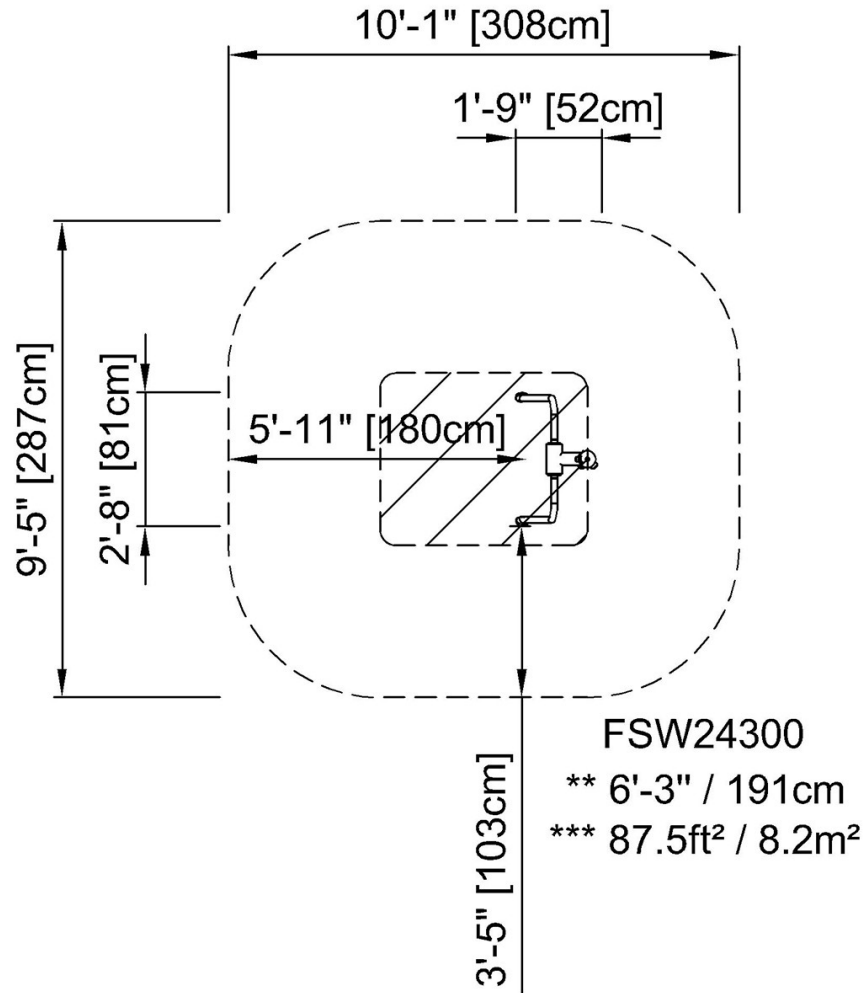


Inclusive Chest Press

FSW243

* Max fall height | ** Total height | *** Safety surfacing area

* Max fall height | ** Total height



FSW24300

[Click to see TOP VIEW](#)

[Click to see SIDE VIEW](#)