

City Bike Pro Touchscreen


FAZ50101

KOMPAN
Let's play



KOMPAN has created adjustable, interactive Cardio equipment which is at the same level of quality and impact you would expect from equipment from an indoor fitness center. The City bike is all about comfort. The entry is extremely low and the frame provides an upright riding style. The city bike saddle can be adjusted in height and is wide, providing a

comfortable ride for people of all sizes. The patented, self-powered resistance units creates a real road cycle experience. The resistance can adapt automatically, depending on the pedaling speed, or the users can choose to manually change the resistance on the 7" touchscreen or on the KOMPAN App.

Item no. FAZ50101-0801	
General Product Information	
Dimensions LxWxH	3'2"x1'8"x4'6"
Age group	13+
Play capacity (users)	1
Color options	



See KOMPAN Fit App for More Information



City Bike Pro Touchscreen

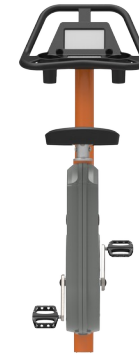
FAZ50101



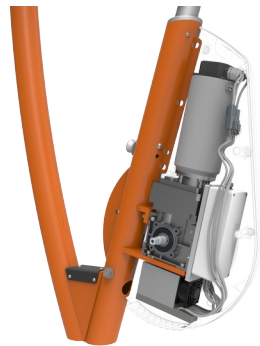
The saddle is made of a Polyurethane Rubber and has a steel insert plate which connects it to the aluminium saddle pin. The saddle can be adjusted to 13 different heights, using a stainless steel pop-pin.



The cover is made of one of the hardest materials in the market, a Lexan Copolymer EXL9330 and has a thickness of 4mm. This cover can withstand any impact and will protect the electronics in the best possible way.



The Q-factor of the arm bike is 175mm, the crank is made of 18 mm stainless steel and connects the pedal arms which are casted stainless steel (grade 304) parts. The length of the pedal arms is 170mm and the pedals are connected with standard bike fittings.



The Innovative self-powered electrical motor and gear providing a virtual flywheel to give real cycle experience. The resistance works as an automatic drive and adapts automatically to the pedaling speed. The users can overwrite the automatic drive manually by changing the resistance in steps (26 - Watts) through the App.



The handle bars are designed with multiple hand positions to accommodate different postures and riding styles. It is a casted Aluminium part with Polyurea coating for good grip and insulation.



You can connect the cardio machine to your phone or tablet via Bluetooth. This will provide instant feedback on speed, distance, cadence, watts, calories burned and time. You can also use your smart devices to manually adjust resistance (10 levels), have access to instructional and motivational videos, store and share activity data online!

Item no. FAZ50101-0801

Installation Information

Max. fall height	3'3"
Safety surfacing area	60ft ²
Total installation time	2.3
Excavation volume	0.44yd ³
Concrete volume	0.27yd ³
Footing depth (standard)	2'7"
Shipment weight	258lbs
Anchoring options	In-ground ✓ Surface ✓

Warranty Information

Electronics	2 Years
Frame	10 Years
Handle	10 Years
Saddle	10 Years
Spare Parts Availability	10 Years

ASTM
F3101
compliant



Sustainability Data

FAZ50101



Cradle to Gate A1-A3	Total CO ₂ emission	CO ₂ e/kg	Recycled materials
	kg CO ₂ e	kg CO ₂ e/kg	%
FAZ50101-0801	326.49	4.40	35.19

The overall framework applied for these factors is the Environmental Product Declaration (EPD), which quantifies "environmental information on the life cycle of a product and enable comparisons between products fulfilling the same function" (ISO, 2006). This follows the structure and applies a Life-Cycle Assessment approach to the entire Product stage from raw material through manufacturing (A1-A3))

Kompan A/S
 C.F. Tietgens Boulevard 32C
 DK-5220 Odense SØ
 Denmark



Verification of CO₂ calculation of: Fitness



Data version no. 2023-10-05

The CO₂ calculation and data are in compliance with the principles of a carbon footprint impact according to the GHG protocol (Greenhouse Gas Protocol), Scope 3, cradle to gate related to all individual components in the product category: "Fitness" represented by item no.: FAZ10100-0900.

(Scope 3 emissions include emission sources in the upstream and downstream value chain).

Date: 30. October 2023 | Valid until: 30. October 2025

Verified by:

Julie Marie Vejsgaard Larsen, LCA & EPD Consultant

Verification based on report: Validation of CO₂ calculation of 9 categories of Kompan product line, version 1.0, prepared by: Bureau Veritas HSE, Denmark: Julie M. V. Larsen.

Publication date: 30. October 2023

By Bureau Veritas HSE
 www.bureauveritas.dk
 +45 7731 1000

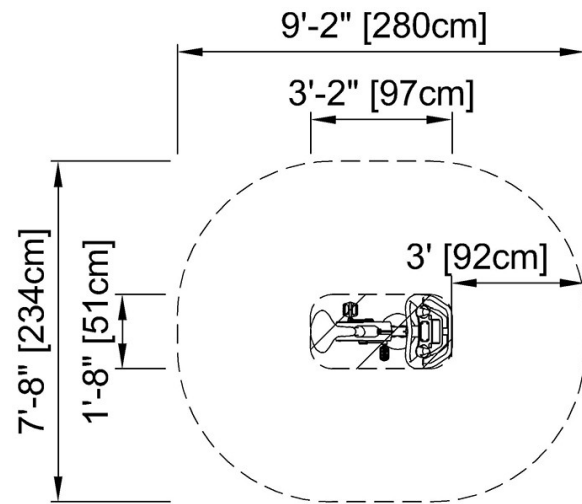


City Bike Pro Touchscreen

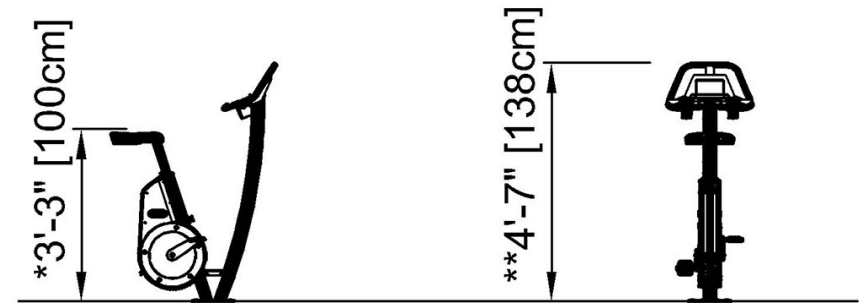
FAZ50101

* Max fall height | ** Total height | *** Safety surfacing area

* Max fall height | ** Total height



FAZ50101
* 3'-3" / 100cm
** 4'-6" / 138cm
*** 60ft² / 5.6m²



FAZ50101

[Click to see TOP VIEW](#)

[Click to see SIDE VIEW](#)