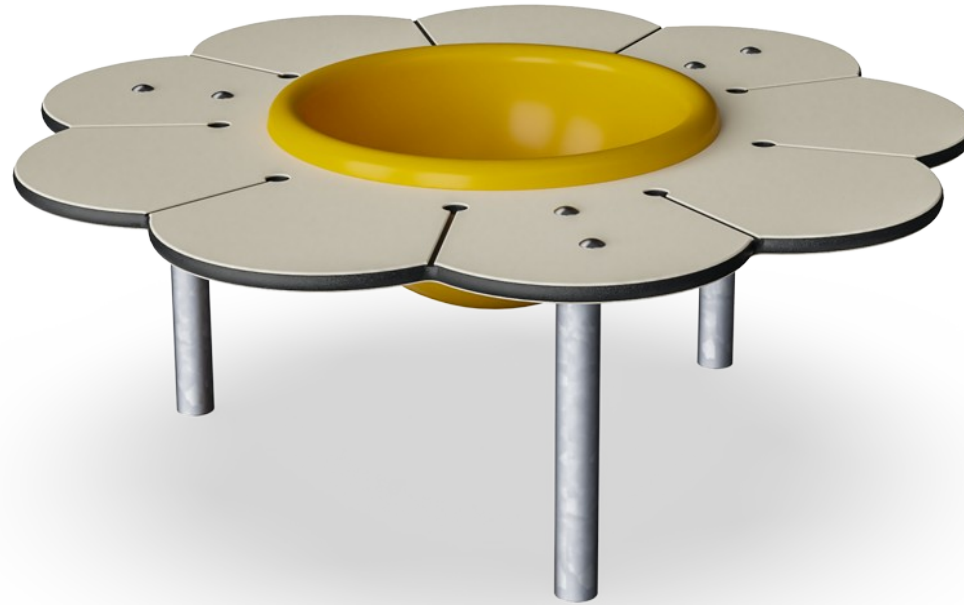



Daisy Desk with Bowl

M26003



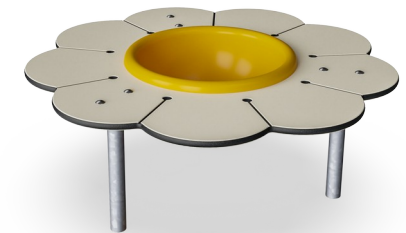
Item no. M26003-3418P	
General Product Information	
Dimensions LxWxH	99x99x38 cm
Age group	6m - 4
Play capacity (users)	3
Colour options	



The Daisy Desk with bowl immediately attracts and welcomes infants and toddlers with its age appropriate size and cute floral theme. The desk provides an ergonomically perfect place to work with loose parts or creative materials, together with friends or care givers. The yellow bowl is a perfect container for materials. It can be lifted and emptied, a favourite activity for

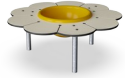
young children. The Daisy Desk with Bowl encourages social play: the roundings of the desk each welcome a player. The round shape encourages eye contact and thus cooperation and conversation. The budding social skills in infants are stimulated by the fact that they can see all the other children thanks to the round shape of the Daisy Desk. The Daisy Desk with

Bowl offers toddlers an opportunity to break out from the wilder action in playgrounds.



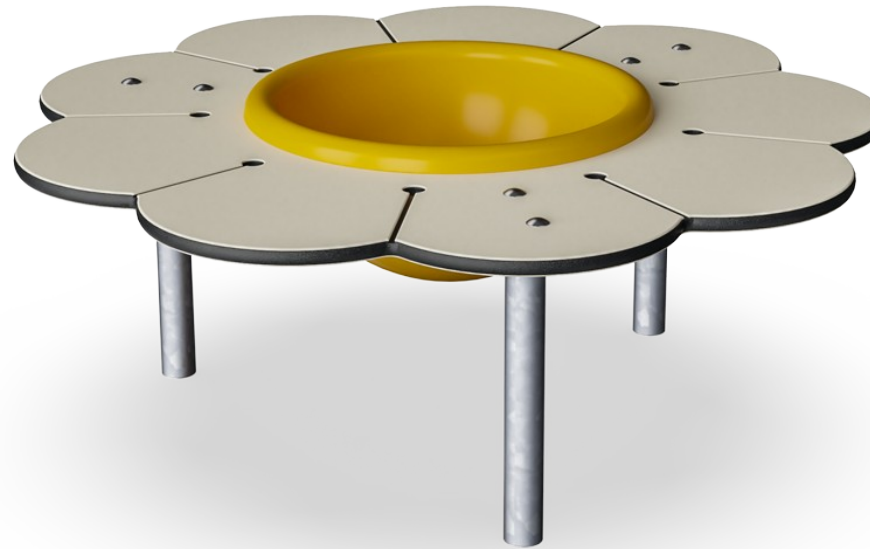
Daisy Desk with Bowl

M26003



Splash basin

Social-Emotional: meeting point for cooperation and sharing. **Cognitive:** construction play storage – playing with sand here promotes thinking skills.



Daisy Desk with Bowl

M26003



Panels of 19mm EcoCore™. EcoCore™ is a highly durable, eco friendly material, which is not only recyclable after use, but also consists of material produced from +95% recycled post consumer material from food packing waste.



Sand basin is made of Polycarbonate (PC). Basin is moulded in one piece to ensure high durability in all climates around the world.



The steel surfaces are hot dip galvanised inside and outside with lead free zinc. The galvanisation has excellent corrosion resistance in outside environments and requires low maintenance.

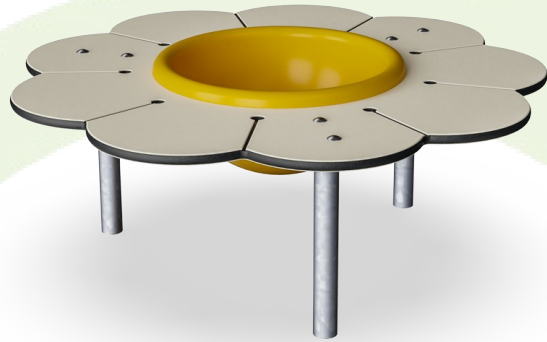
Item no. M26003-3418P	
Installation Information	
Max. fall height	0 cm
Safety surfacing area	0.0 m ²
Total installation time	1.8
Excavation volume	0.10 m ³
Concrete volume	0.00 m ³
Footing depth (standard)	64 cm
Shipment weight	28 kg
Anchoring options	In-ground ✓ Surface ✓
Warranty Information	
EcoCore HDPE	Lifetime
Hot dip galvanised steel	Lifetime
Spare parts guaranteed	10 years

Elevated activities 0	Accessible elevated activities	Accessible ground level activities	Accessible ground level play types
Present	0	1	1
Required	0	1	1



Sustainability Data

M26003



Cradle to Gate A1-A3	Total CO ₂ emission	CO ₂ e/kg	Recycled materials
	kg CO ₂ e	kg CO ₂ e/kg	%
M26003-3418P	54.82	2.02	65.42

The overall framework applied for these factors is the Environmental Product Declaration (EPD), which quantifies "environmental information on the life cycle of a product and enable comparisons between products fulfilling the same function" (ISO, 2006). This follows the structure and applies a Life-Cycle Assessment approach to the entire Product stage from raw material through manufacturing (A1-A3))

Kompan A/S
 C.F. Tietgens Boulevard 32C
 DK-5220 Odense SØ
 Denmark



Verification of CO₂ calculation of: Themed play systems



Data version no. 2023-10-05

The CO₂ calculation and data are in compliance with the principles of a carbon footprint impact according to the GHG protocol (Greenhouse Gas Protocol), Scope 3, cradle to gate related to all individual components in the product category: "Themed play systems" represented by item no.: MSC641100-3717P.

(Scope 3 emissions include emission sources in the upstream and downstream value chain).

Date: 30. October 2023 | Valid until: 30. October 2025

Verified by:

Julie Marie Vejsgaard Larsen, LCA & EPD Consultant

Verification based on report: Validation of CO₂ calculation of 9 categories of Kompan product line, version 1.0, prepared by: Bureau Veritas HSE, Denmark: Julie M. V. Larsen.

Publication date: 30. October 2023

By Bureau Veritas HSE
 www.bureauveritas.dk
 +45 7731 1000

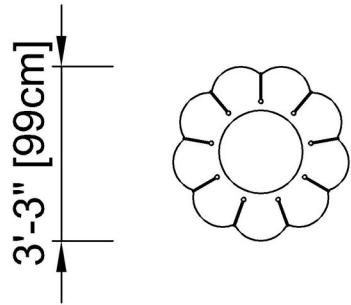


Daisy Desk with Bowl

M26003

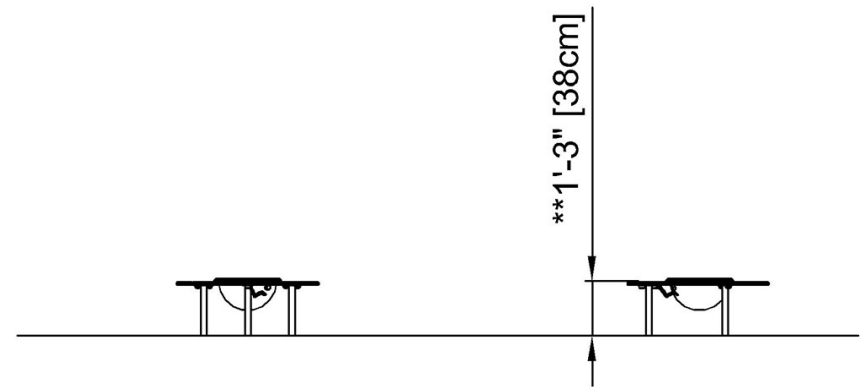
* Max fall height | ** Total height | *** Safety surfacing area

* Max fall height | ** Total height



M26003P

** 1'-3" / 38cm



M26003P

[Click to see TOP VIEW](#)

[Click to see SIDE VIEW](#)