

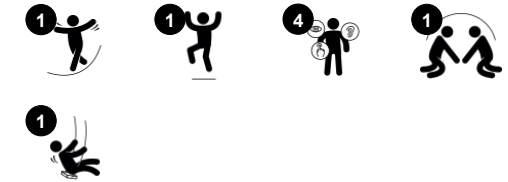
Rope Nest, 47 in wide

SW990111

Item no. SW990111-03

General Product Information

Dimensions LxWxH	6'4"x4'1"x0'0"
Age group	2+
Play capacity (users)	7
Color options	  



Wow! The shallow, smooth Rope Nest swing is a hugely inviting play activity. The soft bumpers makes this a very comfortable swing seat, which is easy and pleasant to push and use. The light weight seat welcomes users of all ages, and abilities, and lots of them! They can swing lying, standing or seated, making children return for more play again and again.

The holes in the surface provides an extra support for holding tight. Swinging in Rope Nest stimulates children's motor skills, such as balance and coordination. They train core muscles as well as leg and arm muscles when pulling and pushing the swing into motion. The basket invites rough-and-tumble play and stimulates important social-emotional skills:

taking turns and cooperation. These are crucial life skills and fun to learn in play.



Rope Nest, 47 in wide

SW990111



Bird nest swing

Physical: develops balance, coordination and spatial awareness. The swinging movement trains the arm, leg and core muscles, and strengthens bone density when jumping off.

Social-Emotional: the spacious seat allows for many children standing, lying, seated together and is inclusive for all. **Cognitive:** cause and effect understanding, rhythm and thinking skills are developed in younger children.

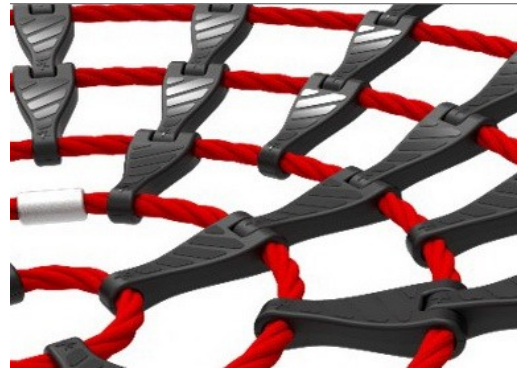


Rope Nest, 47 in wide

SW990111



KOMPAN designed the bird's nest seats to be light in weight and in compliance with global safety standards. The soft, shock absorbent bumpers with non-slip surface makes the swing seat extremely user friendly. Choose between a rope version with reinforced PA rope or a molded PE version. Both equipped with soft rubber bumpers.



Rope loops of the seat are made of single braided 16 mm PES ropes. The polyester yarn is made from +95% post-consumer materials and is inductively melted onto each strand. PES has high strength with excellent resistance to abrasion and UV radiation. The rope loops are connected by nylon (PA6) connectors.



The bumpers are made with a core of strong polypropylene (PP) with a softer outer layer of thermoplastic rubber (TPE). The soft, shock absorbent bumpers with non slip surface makes the swing seat extremely user friendly.



KOMPAN heavy duty designed swing hangers of stainless steel with anti-twist function. The hangers are attached to the cross beam on a welded bracket with two bolts, The bearings are embedded with silicone lubricant and needs no further lubrication.



Upper chain and safety chain are made of high quality stainless steel to ensure durability of the product.



Ropes are made of UV-stabilized PA with inner steel cable reinforcement. The rope is induction treated in order to create a strong connection between steel and rope which leads to good wear resistance.

Item no. SW990111-03	
Installation Information	
Max. fall height	7'9"
Safety surfacing area	299ft ²
Total installation time	0.5
Excavation volume	0yd ³
Concrete volume	0yd ³
Footing depth (standard)	0'0"
Shipment weight	81lbs
Anchoring options	
Warranty Information	
Chains	10 Years
PE/PP Components	5 Years
Ropes & nets	10 Years
Spare Parts Availability	10 Years

Elevated activities 0	Accessible elevated activities	Accessible ground level activities	Accessible ground level play types
Present	0	0	0
Required	0	0	0

ASTM F1487
compliant

Sustainability Data

SW990111



Cradle to Gate A1-A3

Total CO₂ emission

CO₂e/kg

Recycled materials

kg CO₂e

kg CO₂e/kg

%

SW990111-03

192.98

5.35

21.80

The overall framework applied for these factors is the Environmental Product Declaration (EPD), which quantifies "environmental information on the life cycle of a product and enable comparisons between products fulfilling the same function" (ISO, 2006). This follows the structure and applies a Life-Cycle Assessment approach to the entire Product stage from raw material through manufacturing (A1-A3))

Kompan A/S

C.F. Tietgens Boulevard 32C
DK-5220 Odense SØ
Denmark



Verification of CO₂ calculation of: Freestanding play equipment



Data version no. 2023-10-05

The CO₂ calculation and data are in compliance with the principles of a carbon footprint impact according to the GHG protocol (Greenhouse Gas Protocol), Scope 3, cradle to gate related to all individual components in the product category: "Freestanding play equipment" represented by item no.: KSW92011-0910.

(Scope 3 emissions include emission sources in the upstream and downstream value chain).

Date: 30. October 2023 | Valid until: 30. October 2025

Verified by:

Julie Marie Vejsgaard Larsen, LCA & EPD Consultant

Verification based on report: Validation of CO₂ calculation of 9 categories of Kompan product line, version 1.0, prepared by: Bureau Veritas HSE, Denmark: Julie M. V. Larsen.

Publication date: 30. October 2023

By Bureau Veritas HSE

www.bureauveritas.dk

+45 7731 1000

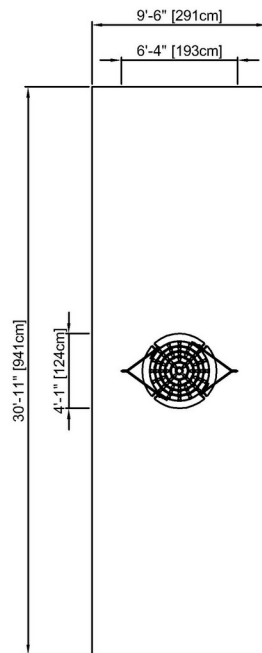


Rope Nest, 47 in wide

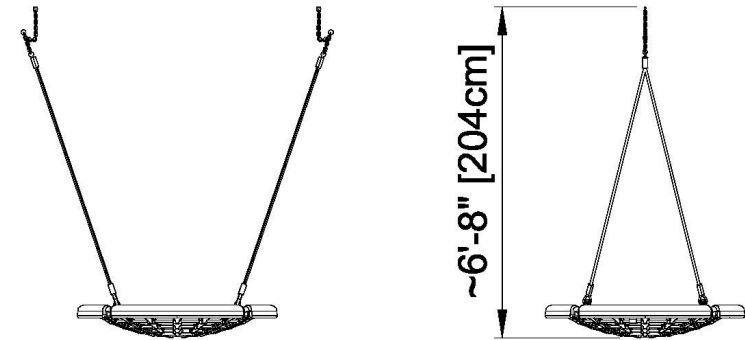
SW990111

* Max fall height | ** Total height | *** Safety surfacing area

* Max fall height | ** Total height



SW990111
***299ft² / 27.8m²



SW990111
1:100

[Click to see TOP VIEW](#)

[Click to see SIDE VIEW](#)