

# Knee Extension

FSW40900

KOMPAN®



产品编号 FSW40900-0001

## 产品信息概览

长宽高尺寸	105x132x91 cm
适用年龄段	13+
容纳人数	1
颜色选择	

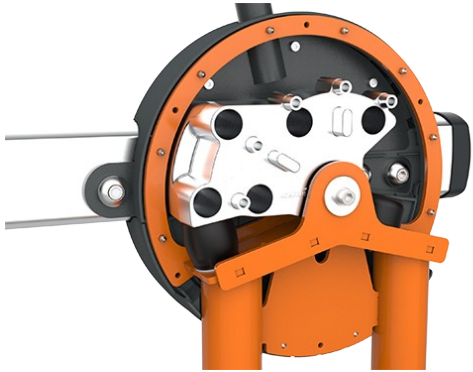
The Knee Extension provides adjustable weight training for the knee extensor muscles. By omitting a backrest, the design ensures the user is always positioned correctly without the need for manual adjustments. The wide seat includes side handles for stable positioning, and the cushioned lower leg support ensures high user comfort.



# Knee Extension

FSW40900

**KOMPAN**



All mechanical stops are fully enclosed within the cover. The adjustable weight, featuring internal end stops and indexed positions, moves on rollers within an enclosed groove in an aluminium profile. As a result, entrapment is not possible, making it extremely safe to use and providing protection against the elements and unwanted abuse.



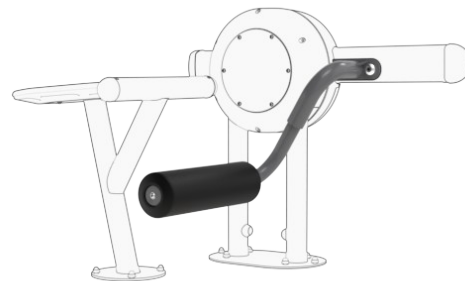
The weight can be adjusted in 8 steps of 5kg, providing a training weight from 5 to 40kg. The patent pending system is intuitive to use, eliminating the need for traditional pins that can get lost or stuck. Pull the handle and move the weight to quickly select the desired load.



The blow-moulded PE seat is mounted directly onto the steel frame for durability and wear resistance. The backrest-free design ensures correct user positioning without adjustments, while the wide seat and side handles provides stability and comfort. A seat height of 63 cm allows easy access and wheelchair transfer.



The machine features low operating noise thanks to an internal end stop made from TPE (thermoplastic elastomer). The damper absorbs impact energy from the weight with minimal rebound, reducing noise and vibration and ensuring a quieter, more controlled training experience.



A compact and durable foam positioned at the shins provides support and ensures a comfortable and stable position during exercise.

The information sign is made of Polycarbonate and shows the most relevant exercise and a QR code. The QR code links to a video of the exercise in the KOMPAN sports & fitness App, which will provide a large amount of exercises and training.

产品编号 FSW40900-0001

## 安装信息

最大跌落高度	66 cm
安全面积	15.6 m <sup>2</sup>
安装总时长	4.0 小时
开挖量	0.00 m <sup>3</sup>
混凝土使用量	0.00 m <sup>3</sup>
标准入地深度	0 cm
运输重量	198 kg
固定选项	

## 质保信息

镀锌 / 喷漆金属	10 年
中空 PE 聚乙烯部件	10 年
PUR 部件	10 年
铝	15 年
中空 PE 聚乙烯部件	10 年

**EN**  
**16630**  
compliant

# 可持续性数据

FSW40900



## 从原材料到成品

CO<sub>2</sub> 排放总量

kg CO<sub>2</sub>e

CO<sub>2</sub> 排放量 / 千克

kg CO<sub>2</sub>e/kg

回收的原料

%

FSW40900-0001

675.92

5.82

43.81

这些因素采用的总体框架为环保产品声明 (EPD)，该声明可量化“产品生命周期的环保信息，并对相同功能的产品进行对比” (ISO, 2006)。在遵循该框架的同时，对从原材料到制造的整个产品阶段 (A1-A3) 应用生命周期评估法。



## Independent review certificate

Kompan A/S  
C. F. Tietgens Blvd. 32C, 5220 Odense SØ

Bureau Veritas hereby attests that the CO<sub>2</sub>e-calculations (covering materials, processing, waste and transport) done by Kompan for "Fitness", meet the requirements set by the listed standard.

Kompan A/S uses a selection of EPDs and emission factors from the Life Cycle Assessment database Ecoinvent 3.11. These values are reported as kg CO<sub>2</sub>e, with all other impact categories excluded in line with the scope of ISO 14067:2018. The emission factors cover, material use, manufacturing processes, transport to Kompan, and electricity used during manufacturing. The presented emissions fall under GHG Protocol scope 3 emissions. Scope 1 and 2 are not presented. Scope 3 emissions include emission sources in the upstream value chain of a company, downstream emissions are excluded in this analysis.

Method: ISO 14067:2018 using GHG protocol guidance documents, reported as kg CO<sub>2</sub>e.

### Object

The verification has been done on the one pager "FAZ10100-0900" version: 27-10-2025. The supporting documentation "KOMPAN data\_updated emissions factors\_2025\_V2" and "Emissions factors, EPD's and ecoinvent 3.11\_2025" was also reviewed and approved.

### Declaration

The review has been completed as a critical review with a limited assurance. I hereby confirm that nothing has come to the reviewer's attention which would lead to conclude that the study does not give an accurate depiction or isn't completed following method of the CO<sub>2</sub>e calculation, the requirements of ISO 14067:2018, and 14071:2024, in the above referenced documentation.

**Note:** This verification only covers calculation elements according to method described in ISO 14067:2018 and may not be seen as a Life Cycle Assessment according to ISO 14067:2018.

**Ref.:** Kompan\_Verification report 2025, 28-10-2025

**Date of certificate:** 29-10-2025

**Expire date:** 29-10-2027

**Verified by:** Julie Marie Vejsgaard Larsen, Environmental Auditor

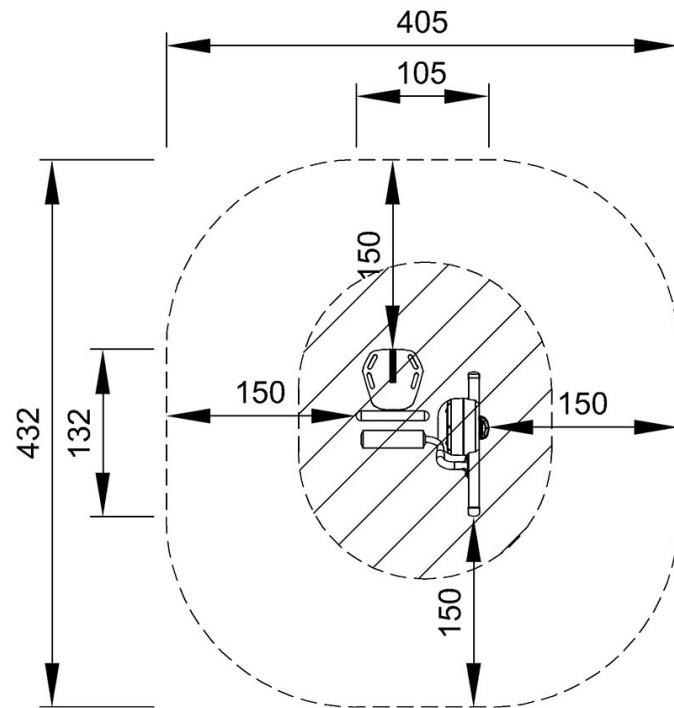
**Signature:**

# Knee Extension

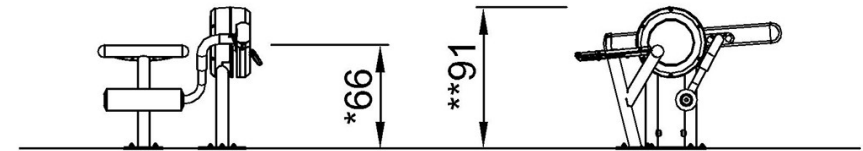
FSW40900

最大跌落高度 | 总高度 | 安全区域

最大跌落高度 | 总高度



FSW40900  
\*66cm  
\*\*91cm  
\*\*\*15.6m<sup>2</sup>



FSW40900

[点击查看俯视图](#)

[点击查看侧面图](#)