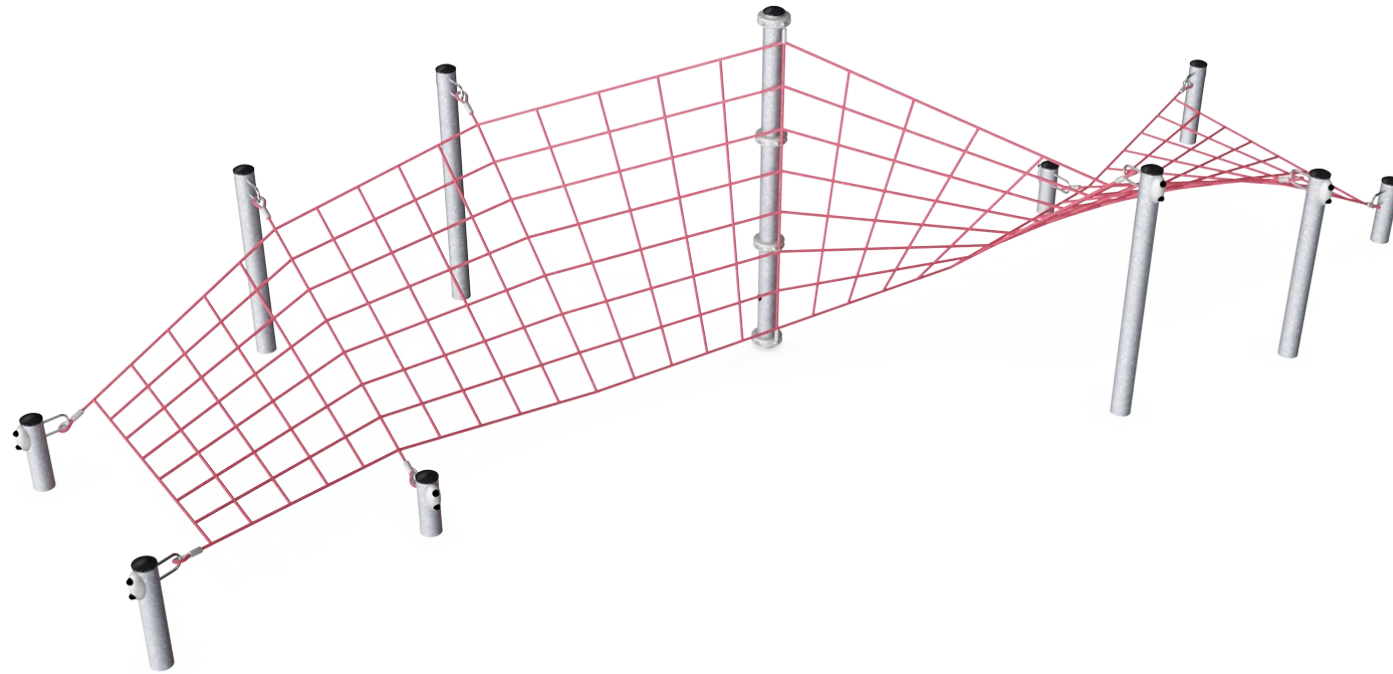
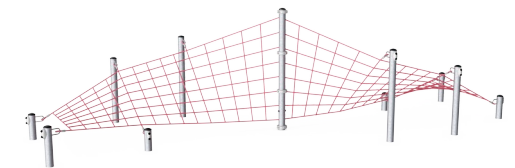
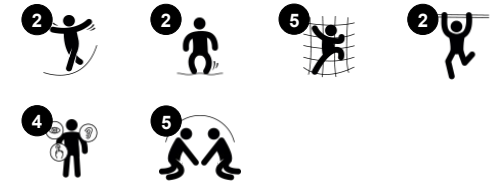


# Corkscrew Net

COR22900



Item no. COR229001-1101	
<b>General Product Information</b>	
Dimensions LxWxH	32'8"x13'11"x8'2"
Age group	5 - 12
Play capacity (users)	18
Color options	



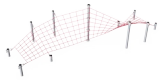
The Corkscrew Net is a trail of adventure that will inspire children and adults to challenge themselves and play for a long time, as they try to master the structure. The extended space on the net encourages endurance in the skills of agility, balance, and coordination. These skills are necessary for overall physical fitness and they inspire the positive feelings related to

being physically active and setting goals to meet and accomplish. Children will be excited to navigate the twist and turn, that offers just the right amount of challenge and reward with the thrill of accomplishment and the excitement of feeling their bodies in space. The open design supports social engagement and friendly turn-taking and support that can be

enjoyed by all.

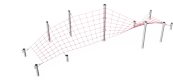
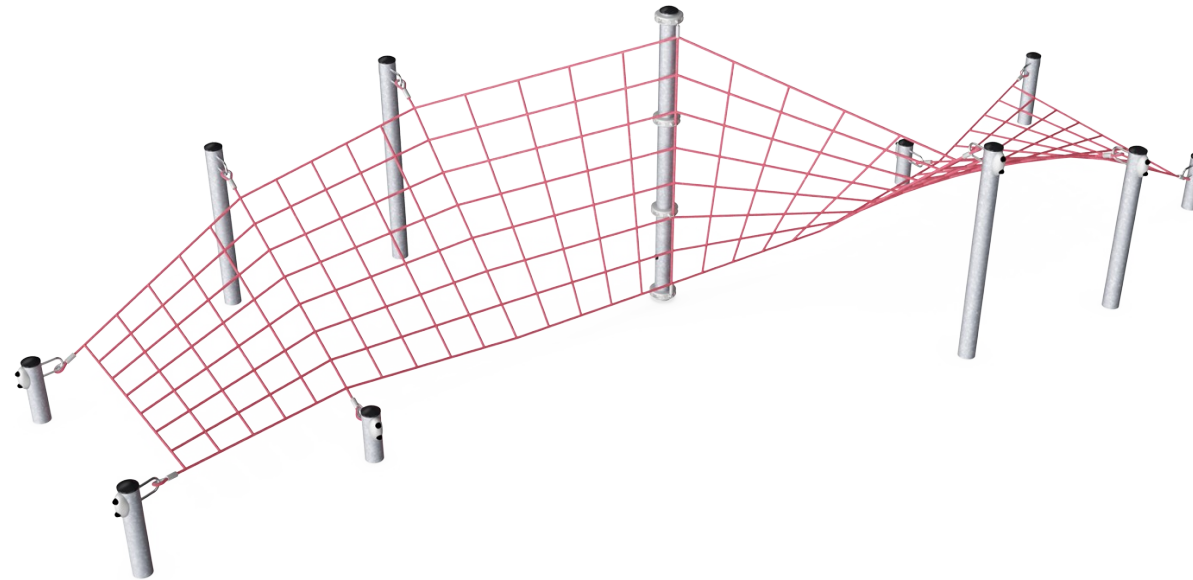
# Corkscrew Net

COR22900



## Height

**Social-Emotional:** children develop courage and self-regulation when being up high. This positively impacts self-confidence.



## Twisted quadrangle amusement net

**Physical:** the twisted, transparent climb supports cross coordination as well as sense of balance and space. Core, leg and arm muscles are trained, too. These physical skills add to self awareness and help when judging your body in time and space, a crucial skill.  
**Social-Emotional:** the twisted shape creates varied seating possibilities and interaction from one side to the other. This develops empathy and cooperation.



## Mid climbing pole

**Physical:** crawling up and down the sturdy pole trains all muscles as well as coordination.  
**Social-Emotional:** the destination of the mid pole invites meeting and exchanging and spurs cooperation.

# Corkscrew Net

COR22900



Corocord ropes with 19mm diameter or more are special 'Hercules' - type with galvanized six-stranded steel wires. Each strand is tightly wrapped with PES yarn, which is melted onto each individual strand. The ropes are highly wear-and vandalism-resistant and can be replaced at site if needed.



Corocord 'S' clamps are used as universal connections in Corocord products. 8mm stainless steel rods with rounded edges are pressed around the ropes with a special hydraulic press, making them the ideal connector: safe, durable and vandalism-proof, all while allowing the typical movement of rope play structures.



The steel structure are hot dip galvanized inside and outside with lead free zinc. The galvanization has excellent corrosion resistance in outside environments and requires low maintenance.



Corocord aluminium clamps are used as connectors between steel posts and rope. Two aluminium castings are bolted together. The height of the clamps is thus variable.



Through the KOMPAN Variant Team, you can choose between additional 7 rope colors and customize your solution. The assortment is a wide span of colors ranking from elegant and expressive black or a natural, neutral hemp color, to a range of attractive and eye-catching signal colors.

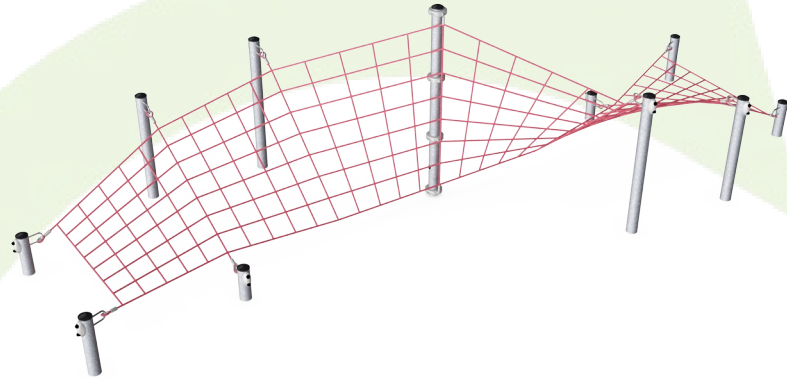
Item no. COR229001-1101	
Installation Information	
Max. fall height	8'2"
Safety surfacing area	863ft <sup>2</sup>
Total installation time	13.6
Excavation volume	13.35yd <sup>3</sup>
Concrete volume	8.5yd <sup>3</sup>
Footing depth (standard)	3'7"
Shipment weight	1379lbs
Anchoring options	In-ground ✓
Warranty Information	
Aluminum clamps	10 Years
Corocord Rope	10 Years
Hot dip galvanized steel	Lifetime
S-Clamps	10 Years
Spare Parts Availability	10 Years

Elevated activities 0	Accessible elevated activities	Accessible ground level activities	Accessible ground level play types
Present	0	1	1
Required	0	1	1

**ASTM  
F1487**  
compliant

# Sustainability Data

COR22900



Cradle to Gate A1-A3	Total CO <sub>2</sub> emission	CO <sub>2</sub> e/kg	Recycled materials
	kg CO <sub>2</sub> e	kg CO <sub>2</sub> e/kg	%
<b>COR229001-1101</b>	1,561.46	3.19	49.48

The overall framework applied for these factors is the Environmental Product Declaration (EPD), which quantifies "environmental information on the life cycle of a product and enable comparisons between products fulfilling the same function" (ISO, 2006). This follows the structure and applies a Life-Cycle Assessment approach to the entire Product stage from raw material through manufacturing (A1-A3))

**Kompan A/S**  
 C.F. Tietgens Boulevard 32C  
 DK-5220 Odense SØ  
 Denmark



## Verification of CO<sub>2</sub> calculation of: Corocord



Data version no. 2023-10-05

The CO<sub>2</sub> calculation and data are in compliance with the principles of a carbon footprint impact according to the GHG protocol (Greenhouse Gas Protocol), Scope 3, cradle to gate related to all individual components in the product category: "Corocord" represented by item no.: COR314011-1101.

(Scope 3 emissions include emission sources in the upstream and downstream value chain).

**Date: 30. October 2023 | Valid until: 30. October 2025**

Verified by:

Julie Marie Vejsgaard Larsen, LCA & EPD Consultant

Verification based on report: Validation of CO<sub>2</sub> calculation of 9 categories of Kompan product line, version 1.0, prepared by: Bureau Veritas HSE, Denmark: Julie M. V. Larsen.

**Publication date: 30. October 2023**

By Bureau Veritas HSE  
 www.bureauveritas.dk  
 +45 7731 1000

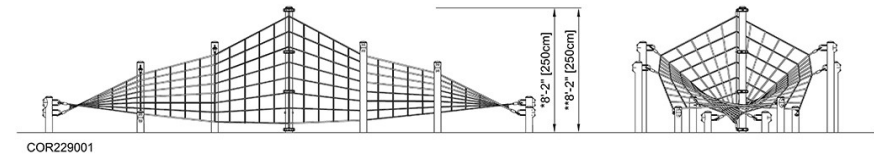
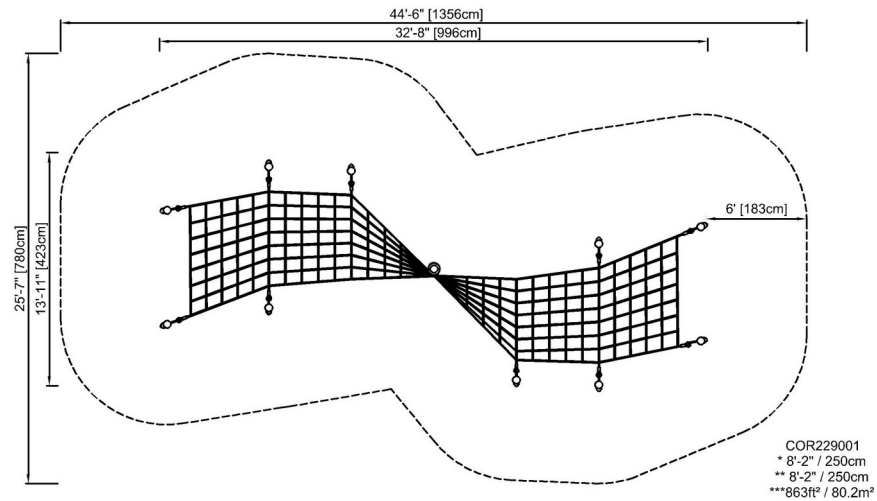


# Corkscrew Net

COR22900

\* Max fall height | \*\* Total height | \*\*\* Safety surfacing area

\* Max fall height | \*\* Total height



[Click to see TOP VIEW](#)

[Click to see SIDE VIEW](#)