

Mini Goal

FRE3051



Item no. FRE3051-3517

General Product Information

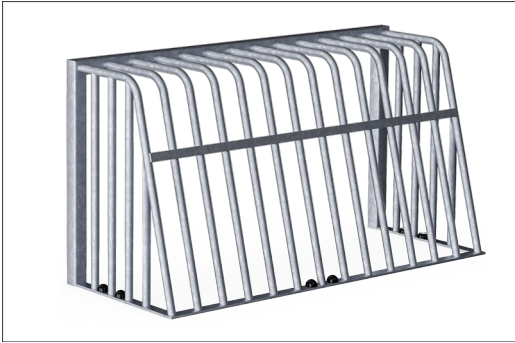
Dimensions LxWxH	4'8"x1'10"x2'6"
Age group	3+
Play capacity (users)	-
Color options	●



When you are looking for a challenge or a non-intrusive option, select this stand alone Mini Goal. The Mini Goals offers a focused target for victory for all kinds of games in public settings.

Mini Goal

FRE3051

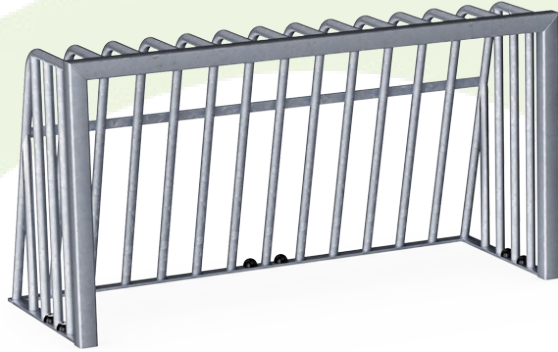


All steel components are manufactured from carbon steel, welding's according EN ISO 5817 & Hot dip galvanised (HDG) according to ISO1461. This process ensures good protection in all circumstances.

Item no. FRE3051-3517	
Installation Information	
Max. fall height	0'0"
Safety surfacing area	0ft ²
Total installation time	1.6
Excavation volume	0.16yd ³
Concrete volume	0yd ³
Footing depth (standard)	2'3"
Shipment weight	102lbs
Anchoring options	In-ground ✓ Surface ✓
Warranty Information	
HDG post	Lifetime
Spare Parts Availability	10 Years

Sustainability Data

FRE3051



Cradle to Gate A1-A3	Total CO ₂ emission	CO ₂ e/kg	Recycled materials
	kg CO ₂ e	kg CO ₂ e/kg	%
FRE3051-3517	125.59	2.62	49.76

The overall framework applied for these factors is the Environmental Product Declaration (EPD), which quantifies "environmental information on the life cycle of a product and enable comparisons between products fulfilling the same function" (ISO, 2006). This follows the structure and applies a Life-Cycle Assessment approach to the entire Product stage from raw material through manufacturing (A1-A3))

Kompan A/S
 C.F. Tietgens Boulevard 32C
 DK-5220 Odense SØ
 Denmark



Verification of CO₂ calculation of: Sport



Data version no. 2023-10-05

The CO₂ calculation and data are in compliance with the principles of a carbon footprint impact according to the GHG protocol (Greenhouse Gas Protocol), Scope 3, cradle to gate related to all individual components in the product category: "Sport" represented by item no.: FRE600202-0901.

(Scope 3 emissions include emission sources in the upstream and downstream value chain).

Date: 30. October 2023 | Valid until: 30. October 2025

Verified by:

Julie Marie Vejsgaard Larsen, LCA & EPD Consultant

Verification based on report: Validation of CO₂ calculation of 9 categories of Kompan product line, version 1.0, prepared by: Bureau Veritas HSE, Denmark: Julie M. V. Larsen.

Publication date: 30. October 2023

By Bureau Veritas HSE
 www.bureauveritas.dk
 +45 7731 1000

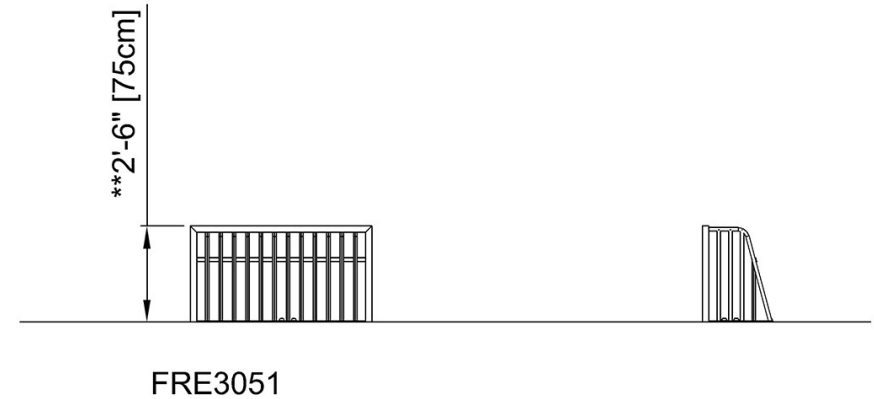
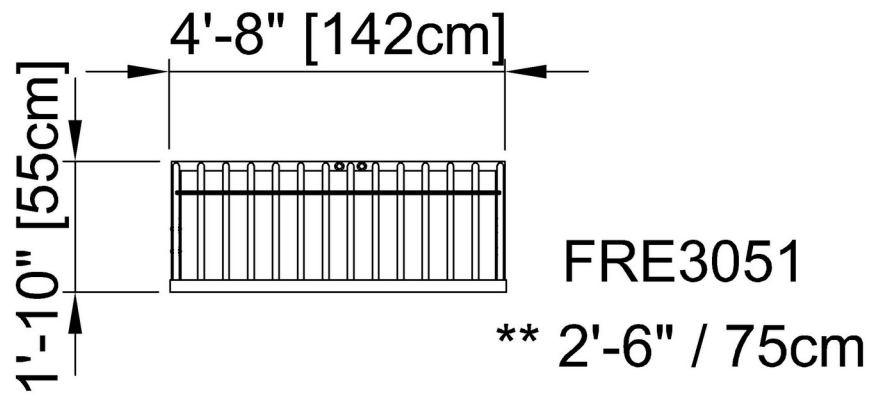


Mini Goal

FRE3051

* Max fall height | ** Total height | *** Safety surfacing area

* Max fall height | ** Total height



[Click to see TOP VIEW](#)

[Click to see SIDE VIEW](#)