

# Splash Table

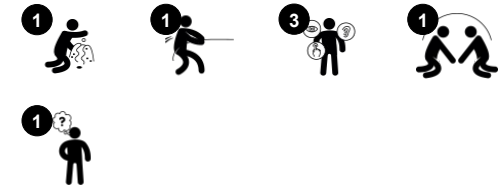
NRO506



Item no. NRO506-0601

## General Product Information

Dimensions LxWxH	115x115x62 cm
Age group	2 - 5
Play capacity (users)	8
Colour options	 



The Splash Table is a favorite play item that children are repeatedly attracted to. It makes a great gathering point for explorative play: sand play, water play and general sharing of found items. Sand and water play is a popular activity that can keep children playing for hours. The rubber plug can be pulled up to let water stream out of the table or let go to keep water

in the basin. This trains the child's understanding of cause and effect. For younger children, it stimulates their understanding of object permanence: that materials still exists even though they go out of sight. Children can be gathered on all sides of the table. This supports cooperation, negotiation and communication, all fundamental in the child's

social-emotional development.

# Splash Table

NRO506



## Splash table with plug

**Social-Emotional:** meeting point for cooperation and sharing. Develops turn-taking and cooperation. **Cognitive:** logical thinking and understanding of cause and effect are trained when children stop or let go of water from the basin. **Creative:** the water plug makes changing water levels possible, which adds to logical thinking skills.



# Splash Table

NRO506



All Organic Robinia products by KOMPAN are made of Robinia wood from sustainable European sources. On request it can be supplied as FSC® Certified (FSC® C004450).

Robinia products are available in three different wood treatment options: Untreated Robinia wood or brown painted with a pigment that maintains the wood colour and coloured version with paint of selected components.

Item no. NRO506-0601	
Installation Information	
Max. fall height	0 cm
Safety surfacing area	0.0 m <sup>2</sup>
Total installation time	2.7
Excavation volume	0.17 m <sup>3</sup>
Concrete volume	0.00 m <sup>3</sup>
Footing depth (standard)	60 cm
Shipment weight	125 kg
Anchoring options	In-ground ✓ Surface ✓
Warranty Information	
Robinia wood	15 years
Spare parts guaranteed	10 years
Stainless steel components	Lifetime

Elevated activities 0	Accessible elevated activities	Accessible ground level activities	Accessible ground level play types
Present	0	1	1
Required	0	1	1

**CSA**  
**Z614**  
compliant

# Sustainability Data

NRO506



Cradle to Gate A1-A3	Total CO <sub>2</sub> emission	CO <sub>2</sub> e/kg	Recycled materials
	kg CO <sub>2</sub> e	kg CO <sub>2</sub> e/kg	%
<b>NRO506-0601</b>	80.10	0.81	8.73

The overall framework applied for these factors is the Environmental Product Declaration (EPD), which quantifies "environmental information on the life cycle of a product and enable comparisons between products fulfilling the same function" (ISO, 2006). This follows the structure and applies a Life-Cycle Assessment approach to the entire Product stage from raw material through manufacturing (A1-A3))

**Kompan A/S**  
 C.F. Tietgens Boulevard 32C  
 DK-5220 Odense SØ  
 Denmark



## Verification of CO<sub>2</sub> calculation of: Nature play



Data version no. 2023-10-05

The CO<sub>2</sub> calculation and data are in compliance with the principles of a carbon footprint impact according to the GHG protocol (Greenhouse Gas Protocol), Scope 3, cradle to gate related to all individual components in the product category: "Nature play" represented by item no.: NRO409-0621.

(Scope 3 emissions include emission sources in the upstream and downstream value chain).

**Date: 30. October 2023 | Valid until: 30. October 2025**

**Verified by:**

Julie Marie Vejsgaard Larsen, LCA & EPD Consultant

Verification based on report: Validation of CO<sub>2</sub> calculation of 9 categories of Kompan product line, version 1.0, prepared by: Bureau Veritas HSE, Denmark: Julie M. V. Larsen.

**Publication date: 30. October 2023**

**By Bureau Veritas HSE**  
 www.bureauveritas.dk  
 +45 7731 1000

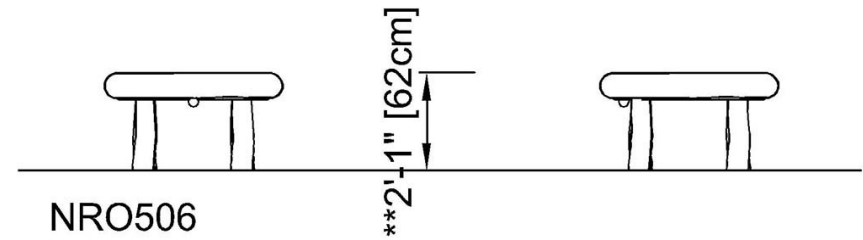
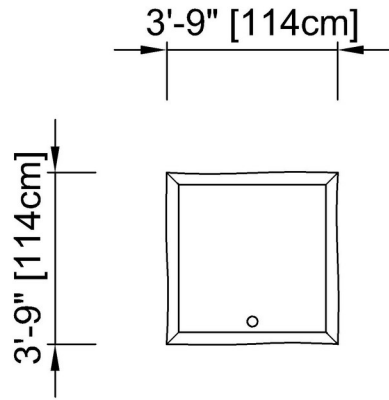


# Splash Table

NRO506

\* Max fall height | \*\* Total height | \*\*\* Safety surfacing area

\* Max fall height | \*\* Total height



NRO506-xx01

\*\* 2' / 62cm

[Click to see TOP VIEW](#)

[Click to see SIDE VIEW](#)