

Shoulder Press Pro

FAZ604

KOMPAN
Let's play



With adjustable load and multi-functional handles, the machine facilitates individually adapted exercises that strengthen shoulder and elbow extensor muscles in an upward movement. The strength machines and benches allow for simple, safe, and effective strength training for all major muscle groups. This increases daily functional capacity,

especially for the elderly, sports performance, aesthetic appearance, and metabolic fitness. The 80kg weight stack is fully covered and can be adjusted in 16 steps of 5 kg by a smart and patented handle. Making the product very easy to train on and completely safe to be in the outdoors!

Item no. FAZ60400-0001

General Product Information

Dimensions LxWxH	188x131x214 cm
Age group	13+
Play capacity (users)	1
Colour options	

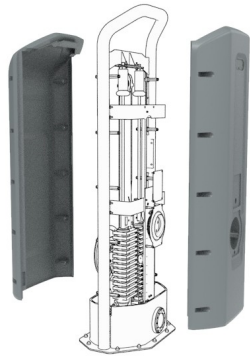


See KOMPAN Fit app for more

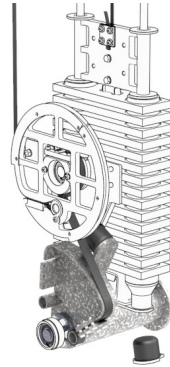


Shoulder Press Pro

FAZ604



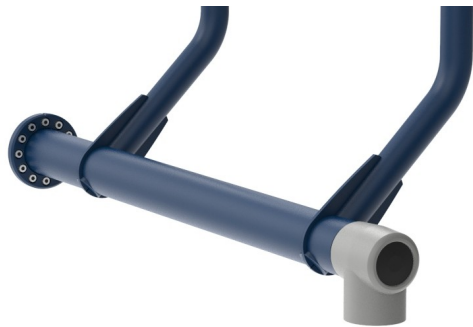
The cover protects all the moving parts from vandalism and entrapments. The cover is made of 5mm rotomolded LLDPE, Linear low-density polyethylene, with excellent impact strength and usable within a large temperature span.



The resistance unit and all mechanical stops are hidden in the fully closed cabinet. As a result, entrapment is not possible, making it extremely safe to use and providing protection against the elements. The products are EN 16630 certified and comply with the ASTM F3101 for unsupervised outdoor fitness equipment.



The ergonomically shaped handles have different grip areas for adaptable training, allowing people from 140 – 205 cm tall, to perform the exercise ergonomically correctly and at the same time allowing multiple different exercises. The handles are Aluminum cast and have a diameter of \varnothing 33mm. The Grip Powder coating, used on the support handle, is highly durable against wear and tear, offers isolation, and simultaneously gives users an outstanding



The input shaft is \varnothing 101,3 x 2,9mm S355 Hot Dip Galvanized and Powder-coated steel. The bearing house is Cast Aluminum (EN AB-44100 / EN AB-AISI12(a)) with self-aligning sealed ball bearings. An extremely strong and durable construction



The 80kg weight stack is fully covered and can be adjusted with a rotatable handle in 16 steps of 5 kg. The smart selector system is intuitive in use and patent-pending. No pins that get lost or get stuck, you simply pull and rotate the handle to change to select a different weight.



The seat and back support are made of Polyurethane Rubber (PUR) and have an electro-galvanized steel insert plate that connects the seat to the frame. The seat is positioned under a 9-degree angle and the back support has a 15-degree angle. The back support has a groove to relieve the spine, accommodating a comfortable seating position.

Item no. FAZ60400-0001

Installation Information

Max. fall height	44 cm
Safety surfacing area	12.1 m ²
Total installation time	9.3
Excavation volume	0.00 m ³
Concrete volume	0.00 m ³
Footing depth (standard)	0 cm
Shipment weight	544 kg
Anchoring options	Surface ✓

Warranty Information

Hot dip galvanized steel	Lifetime
Movable parts	2 years
PUR components	10 years
Spare parts guaranteed	10 years
Stainless steel components	Lifetime

**ASTM
F3101**
compliant

Sustainability Data

FAZ604



Cradle to Gate A1-A3	Total CO ₂ emission	CO ₂ e/kg	Recycled materials
	kg CO ₂ e	kg CO ₂ e/kg	%
FAZ60400-0001	1,152.37	2.90	43.68

The overall framework applied for these factors is the Environmental Product Declaration (EPD), which quantifies "environmental information on the life cycle of a product and enable comparisons between products fulfilling the same function" (ISO, 2006). This follows the structure and applies a Life-Cycle Assessment approach to the entire Product stage from raw material through manufacturing (A1-A3))

Kompan A/S
 C.F. Tietgens Boulevard 32C
 DK-5220 Odense SØ
 Denmark



Verification of CO₂ calculation of: Fitness



Data version no. 2023-10-05

The CO₂ calculation and data are in compliance with the principles of a carbon footprint impact according to the GHG protocol (Greenhouse Gas Protocol), Scope 3, cradle to gate related to all individual components in the product category: "Fitness" represented by item no.: FAZ10100-0900.

(Scope 3 emissions include emission sources in the upstream and downstream value chain).

Date: 30. October 2023 | Valid until: 30. October 2025

Verified by:

Julie Marie Vejsgaard Larsen, LCA & EPD Consultant

Verification based on report: Validation of CO₂ calculation of 9 categories of Kompan product line, version 1.0, prepared by: Bureau Veritas HSE, Denmark: Julie M. V. Larsen.

Publication date: 30. October 2023

By Bureau Veritas HSE
 www.bureauveritas.dk
 +45 7731 1000

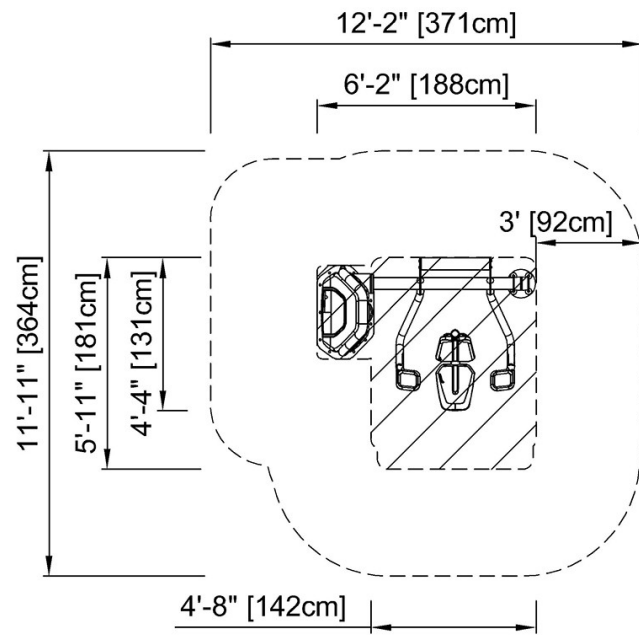


Shoulder Press Pro

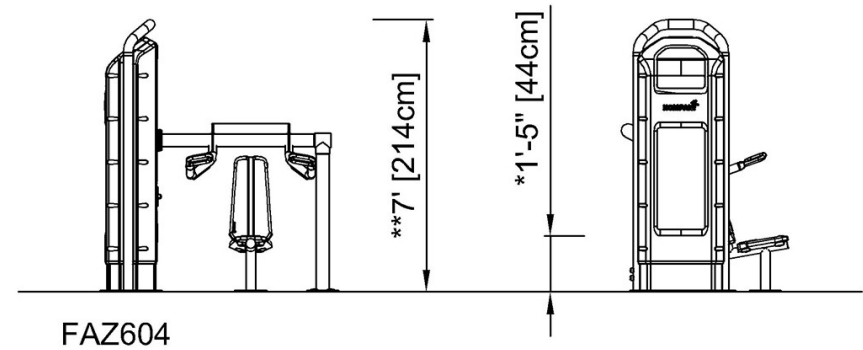
FAZ604

* Max fall height | ** Total height | *** Safety surfacing area

* Max fall height | ** Total height



FAZ60400
* 1'-5" / 44cm
** 7'-0" / 214cm
*** 130ft² / 12.1m²



[Click to see TOP VIEW](#)

[Click to see SIDE VIEW](#)