

Swan

M174



Item no. M17401-01P

General Product Information

Dimensions LxWxH	54x77x79 cm
Age group	1+
Play capacity (users)	1
Colour options	



The amazing, graceful Swan should be in all playgrounds. Children seek it out to rock and play again and again. The Swan is a truly universal design: the back, calf, and foot supports, the shelter of the seat sides, and the vertical handholds make it accessible and fun for all. Children rock the Swan using their leg, arm, and core muscles to coordinate

movements and set it into motion. Alternatively, the spring will move when children stem their back into the seat, without using leg muscles. The hand-holds support a relevant grip height for all. Rocking the Swan supports the senses of balance and space that are fundamental for body confidence and movement control. The spring's response to movement builds an

understanding of cause-and-effect. It supports logical thinking, a fundamental cognitive skill.



Swan

M174



Theme

Cognitive: suggests a theme and supports dramatic play, which stimulates language and communication skills.



Foot and back support

Physical: extra back and foot support for children with disabilities. Rocking promotes sense of balance and space. Arms and leg muscles are strengthened.



Handhold

Physical: opens more hold positions and ensures good grip, necessary for rocking intensely which trains hand and arm muscles.



Rocking spring

Physical: response to movements adds to spatial awareness and sense of balance which are fundamental motor skills.

Cognitive: trains the understanding of cause and effect: when I move my body, the spring responds with movement.

Swan

M174



Panels of 19mm EcoCore™. EcoCore™ is a highly durable, eco-friendly material, which is not only recyclable after use but also consists of a core produced from 100% recycled material.



KOMPAN's springs are manufactured from high-quality spring steel. The springs are cleaned by phosphating before being painted with epoxy primer and polyester powder coating. The springs are fixed by unique anti-pinch fittings for maximum safety and longevity.



The springs are fixed by unique anti-pinch fittings for maximum safety and longevity.

Item no. M17401-01P	
Installation Information	
Max. fall height	60 cm
Safety surfacing area	8.0 m ²
Total installation time	3.2
Excavation volume	0.19 m ³
Concrete volume	0.00 m ³
Footing depth (standard)	45 cm
Shipment weight	46 kg
Anchoring options	In-ground ✓ Surface ✓
Warranty Information	
EcoCore HDPE	Lifetime
HPL Seat	15 years
Spare Parts Guarantee	10 years
Springs	5 years



Handholds are made of injection moulded high-quality nylon (PA6) which has good wearing and impact strength.



Foot support is made of HPL with a thickness of 17.8mm, which is very high wearing and also includes unique KOMPAN non-skid surface texture.



Back support is made of PUR. All components retain their properties in high temperature spans. All materials are UV stabilised to a maximum without the use of heavy metal stabilisers.



Sustainability Data

M174



Cradle to Gate A1-A3	Total CO ₂ emission	CO ₂ e/kg	Recycled materials
	kg CO ₂ e	kg CO ₂ e/kg	%
M17401-01P	93.80	2.29	50.32

The overall framework applied for these factors is the Environmental Product Declaration (EPD), which quantifies "environmental information on the life cycle of a product and enable comparisons between products fulfilling the same function" (ISO, 2006). This follows the structure and applies a Life-Cycle Assessment approach to the entire Product stage from raw material through manufacturing (A1-A3))

Kompan A/S
 C.F. Tietgens Boulevard 32C
 DK-5220 Odense SØ
 Denmark



Verification of CO₂ calculation of: Freestanding play equipment



Data version no. 2023-10-05

The CO₂ calculation and data are in compliance with the principles of a carbon footprint impact according to the GHG protocol (Greenhouse Gas Protocol), Scope 3, cradle to gate related to all individual components in the product category: "Freestanding play equipment" represented by item no.: GXY916012-3417.

(Scope 3 emissions include emission sources in the upstream and downstream value chain).

Date: 30. October 2023 | Valid until: 30. October 2025

Verified by:

Julie Marie Vejsgaard Larsen, LCA & EPD Consultant

Verification based on report: Validation of CO₂ calculation of 9 categories of Kompan product line, version 1.0, prepared by: Bureau Veritas HSE, Denmark: Julie M. V. Larsen.

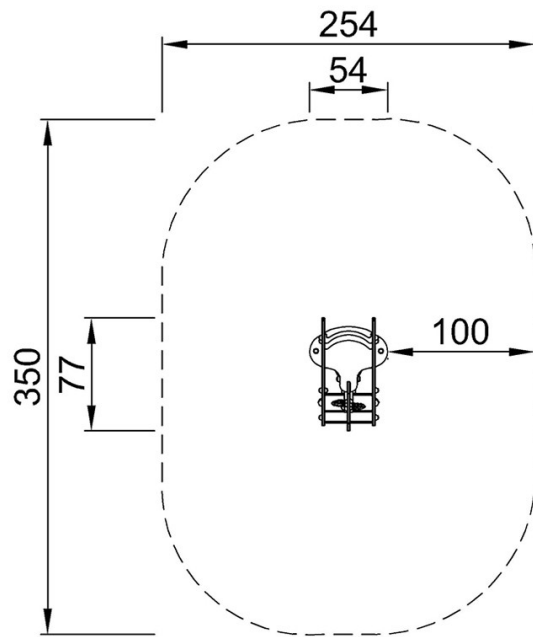
Publication date: 30. October 2023

By Bureau Veritas HSE
 www.bureauveritas.dk
 +45 7731 1000

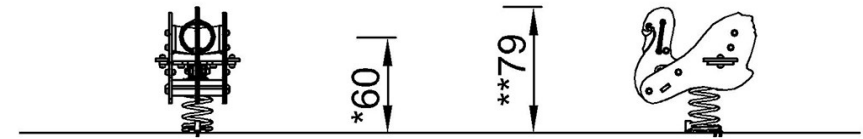


* Max fall height | ** Total height | *** Safety surfacing area

* Max fall height | ** Total height



M17401
*60cm
**79cm
***8m²



M17401

[Click to see TOP VIEW](#)

[Click to see SIDE VIEW](#)