

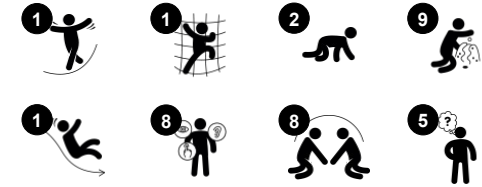
Jetsetter with Shade

PCE100331

KOMPAN
Let's play



Item no. PCE100331-0902	
General Product Information	
Dimensions LxWxH	418x327x360 cm
Age group	1+
Play capacity (users)	17
Color options	● ● ●



Wow! The Jetsetter is a delightful structure that will inspire play for toddlers, which will lead to longer playtimes. Physical development will be enhanced by sliding and moving around and within the structure, strengthening muscles and coordination skills. These experiences are enhanced by a design which encourages social play in such areas as the flower panel, sand

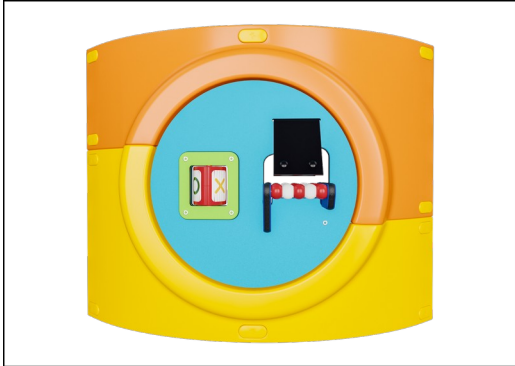
funnel, bubble window, the desk, and the gear panel. Social play strengthens children's ability to cooperate and get along with others and their ability to empathize and make friends. This structure also strongly supports creative and cognitive play with features that respond to the child's actions, such as the gear wheels, flower panel and sand funnel. The desk area is

also a great social meeting point and a place to play creatively with materials. This structure is perfect for supporting all areas of development through active play.

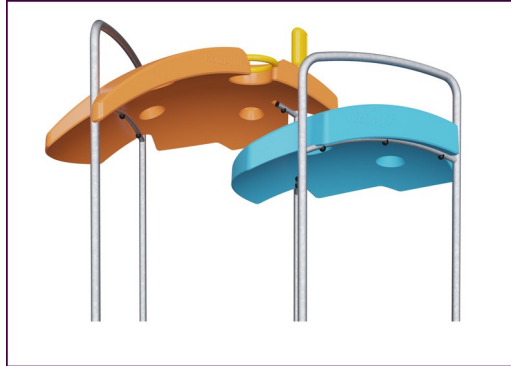


Jetsetter with Shade

PCE100331



The Curved ELEMENTS panels are moulded of UV stabilised recyclable PE using 33% post-consumer recycled material. With multiple options for in-build play features that also ensures a strong panel solution. Straight panels are made of KOMPAN 19mm HDPE EcoCore™ which is a highly durable, ecofriendly and recyclable material made from +95% PCM.



The ELEMENTS roofs are made of recyclable PE made from 33% post consumer recycled materials with a minimum wall thickness of 5 mm to ensure high durability in all climates around the world. The steel pipes are hot dip galvanised inside and outside for maximum durability.



ELEMENTS products are available in three different colour combinations: classic blue & green, blossom orange & yellow, nature lime and green.

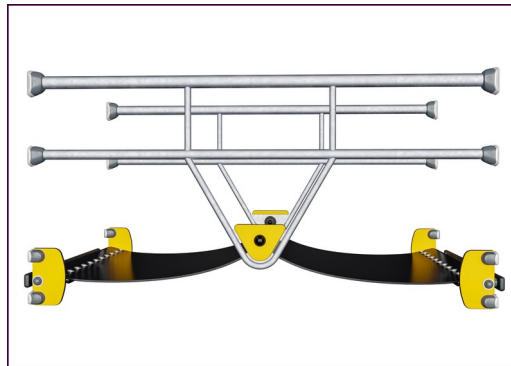
Item no. PCE100331-0902

Installation Information

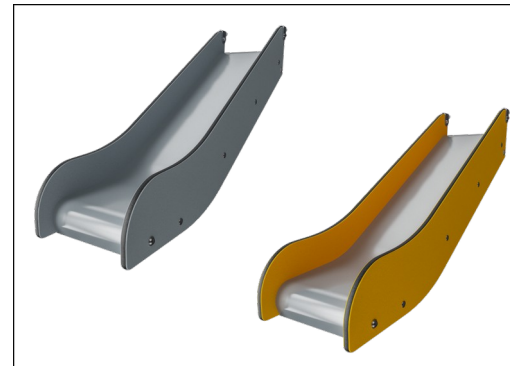
Max. fall height	100 cm
Safety surfacing area	26.8 m ²
Total installation time	17.6
Excavation volume	0.99 m ³
Concrete volume	0.36 m ³
Footing depth (standard)	90 cm
Shipment weight	503 kg
Anchoring options	Surface ✓ In-ground ✓



The main posts are made of high quality pregalvanized steel with powder coated top finish. Post tops are closed with caps of UV stabilized nylon (PA6). The grey colored molded decks are made of 75% post-consumer waste PP material with a non-skid pattern and texture surface. All decks are supported by unique designed low-carbon aluminum profiles with multiple attachment options.



ELEMENTS rubber membranes are conveyor belt made of layers of rubber mixed of natural rubber and SBR rubber, and embedded with layers of armouring made of woven PE and PA. The thickness 8mm ensures high durability in any environment.



The special designed slide for under 2 year old's as specified in ASTM F2373 is made of EcoCore™ side panels of 95% post-consumer recycled waste and a molded PE slide bed.



Sustainability Data

PCE100331



Cradle to Gate A1-A3	Total CO ₂ emission	CO ₂ e/kg	Recycled materials
	kg CO ₂ e	kg CO ₂ e/kg	%
PCE100331-0902	1,033.70	2.76	49.80

The overall framework applied for these factors is the Environmental Product Declaration (EPD), which quantifies "environmental information on the life cycle of a product and enable comparisons between products fulfilling the same function" (ISO, 2006). This follows the structure and applies a Life-Cycle Assessment approach to the entire Product stage from raw material through manufacturing (A1-A3))

Kompan A/S
 C.F. Tietgens Boulevard 32C
 DK-5220 Odense SØ
 Denmark



Verification of CO₂ calculation of: Play systems



Data version no. 2023-10-05

The CO₂ calculation and data are in compliance with the principles of a carbon footprint impact according to the GHG protocol (Greenhouse Gas Protocol), Scope 3, cradle to gate related to all individual components in the product category: "Play systems" represented by item no.: PCM200321-0950.

(Scope 3 emissions include emission sources in the upstream and downstream value chain).

Date: 30. October 2023 | Valid until: 30. October 2025

Verified by:

Julie Marie Vejsgaard Larsen, LCA & EPD Consultant

Verification based on report: Validation of CO₂ calculation of 9 categories of Kompan product line, version 1.0, prepared by: Bureau Veritas HSE, Denmark: Julie M. V. Larsen.

Publication date: 30. October 2023

By Bureau Veritas HSE
 www.bureauveritas.dk
 +45 7731 1000

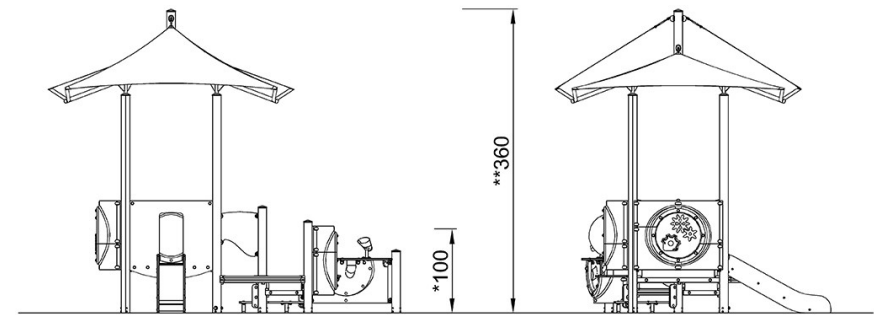
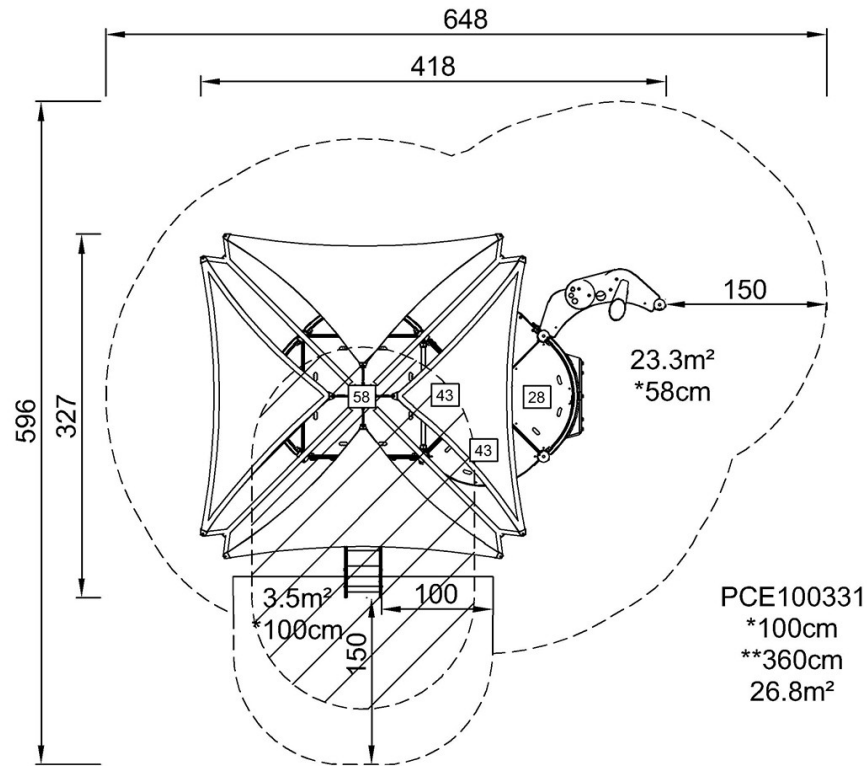


Jetsetter with Shade

PCE100331

* Max fall height | ** Total height | *** Safety surfacing area

* Max fall height | ** Total height



PCE100331

[Click to see TOP VIEW](#)

[Click to see SIDE VIEW](#)