

Dynamic Bar

NRO830



The Dynamic Bar is a fantastic playground attraction. It intrigues all children, younger as well as older. The primary attraction is the responsiveness of the horizontal balance beam which moves as children walk on it. Holding on to the support rope, children are provided with a secure grip. This is an immense challenge for older children and spurs endless competitions

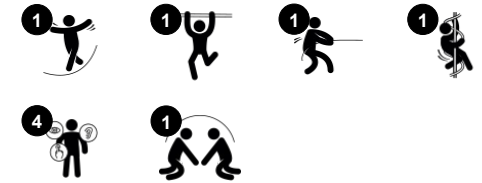
on who stays on for longest. This is great for cooperative skills and social-emotional development. Apart from being great fun, the Dynamic Bar is a true challenge for children's sense of balance. Children with a well-developed sense of balance have an easy time navigating the world confidently. They can sit still on a chair, and concentrate. Additionally,

children build bone density when they jump off the Dynamic Bar.

Item no. NRO830-0901

General Product Information

Dimensions LxWxH	6'11"x0'7"x4'9"
Age group	5 - 12
Play capacity (users)	1
Color options	 



Dynamic Bar

NRO830



Rope handholds

Physical: provides stability in balancing. Makes possible hanging in arms, training upper body muscles. **Social-Emotional:** adds a feeling of security.



Dynamic beam

Physical: the child practices balance intensely when staying on the spinning beam. This is a challenging and thrilling activity and develops the child's risk-taking skills in a safe and sound way, close to the ground. **Social-Emotional:** cooperation and consideration when spinning together with others.

Dynamic Bar

NRO830



All Organic Robinia products by KOMPAN are made of Robinia wood from sustainable European sources. On request it can be supplied as FSC® Certified (FSC® C004450).



Nets and ropes are made of UV-stabilized PA with inner steel cable reinforcement. The rope is induction treated in order to create a strong connection between steel and rope which leads to good wear resistance.



The Robinia wood can be supplied as untreated raw wood or painted with a brown colored transparent pigment that maintains the golden wood color of the wood.

Item no. NRO830-0901	
Installation Information	
Max. fall height	1'5"
Safety surfacing area	209ft ²
Total installation time	2.8
Excavation volume	0.3yd ³
Concrete volume	0yd ³
Footing depth (standard)	2'11"
Shipment weight	258lbs
Anchoring options	In-ground ✓ Surface ✓
Warranty Information	
Robinia Wood	10 Years
Ropes & nets	10 Years
Spare Parts Availability	10 Years
Stainless steel components	Lifetime

Elevated activities 0	Accessible elevated activities	Accessible ground level activities	Accessible ground level play types
Present	0	1	1
Required	0	1	1



Sustainability Data

NRO830



Cradle to Gate A1-A3	Total CO ₂ emission	CO ₂ e/kg	Recycled materials
	kg CO ₂ e	kg CO ₂ e/kg	%
NRO830-0901	28.15	0.31	2.21

The overall framework applied for these factors is the Environmental Product Declaration (EPD), which quantifies "environmental information on the life cycle of a product and enable comparisons between products fulfilling the same function" (ISO, 2006). This follows the structure and applies a Life-Cycle Assessment approach to the entire Product stage from raw material through manufacturing (A1-A3))

Kompan A/S
 C.F. Tietgens Boulevard 32C
 DK-5220 Odense SØ
 Denmark



Verification of CO₂ calculation of: Nature play



Data version no. 2023-10-05

The CO₂ calculation and data are in compliance with the principles of a carbon footprint impact according to the GHG protocol (Greenhouse Gas Protocol), Scope 3, cradle to gate related to all individual components in the product category: "Nature play" represented by item no.: NRO409-0621.

(Scope 3 emissions include emission sources in the upstream and downstream value chain).

Date: 30. October 2023 | Valid until: 30. October 2025

Verified by:

Julie Marie Vejsgaard Larsen, LCA & EPD Consultant

Verification based on report: Validation of CO₂ calculation of 9 categories of Kompan product line, version 1.0, prepared by: Bureau Veritas HSE, Denmark: Julie M. V. Larsen.

Publication date: 30. October 2023

By Bureau Veritas HSE
 www.bureauveritas.dk
 +45 7731 1000

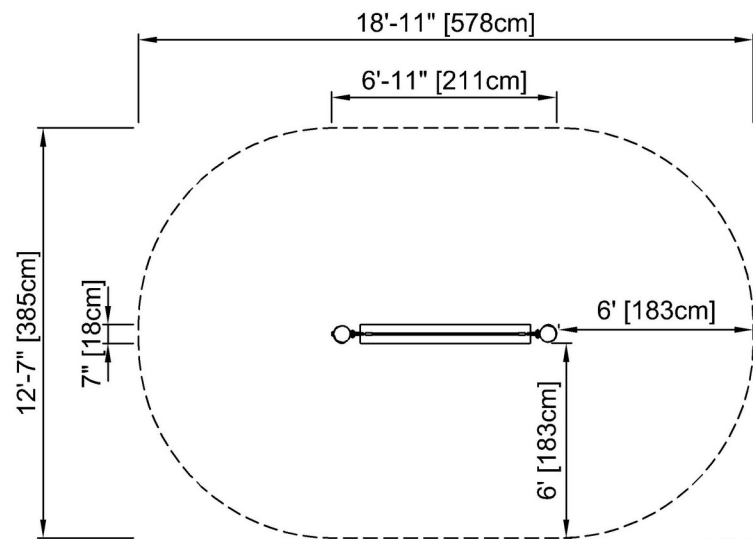


Dynamic Bar

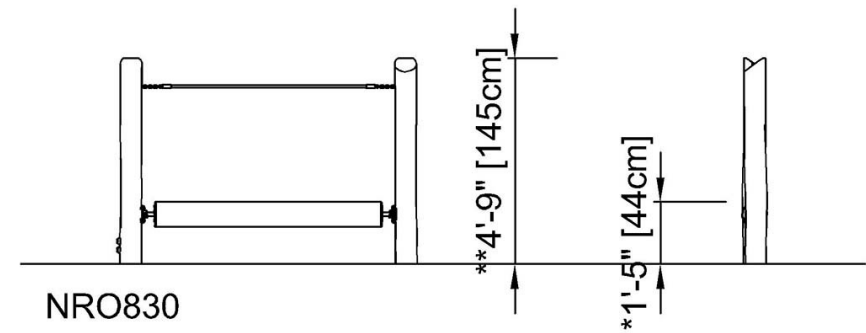
NRO830

* Max fall height | ** Total height | *** Safety surfacing area

* Max fall height | ** Total height



NRO830
* 1'-5" / 44cm
** 4'-9" / 145cm
***209ft² / 19.4m²



NRO830

[Click to see TOP VIEW](#)

[Click to see SIDE VIEW](#)