

Angled triple Tower with U-Net

PCM301221



Item no. PCM301221-0901	
General Product Information	
Dimensions LxWxH	703x441x279 cm
Age group	2+
Play capacity (users)	33
Color options	



Triple the richness of play variation: it's the Triple Tower. A huge attraction to toddlers with its numerous areas to explore, again and again. There is a world of auditive and tactile play panels on ground level, stimulating logical thinking and creativity in the child: The music panel can be played by hitting or clapping the tubes, creating little tunes. The tube and

steering wheel panel invites role play, which trains language and negotiation skills. The bubble window in the tunnel bridge distorts voices when spoken into, evoking a sense of wonder and training logical thinking. Sliding down the slide or curly climber to the ground supports posture and balance, all important skills for young children, and great fun! There

are varied levels of play challenges in the accesses as well as egresses. This means fun training of life skills for all.



Angled triple Tower with U-Net

PCM301221



Panels of 19mm EcoCore™. EcoCore™ is a highly durable, eco friendly material, which is not only recyclable after use, but also consists of material produced from +95% recycled post consumer material from food packing waste.



Main posts with hot dip galvanized steel footing are available in different materials: Pressure impregnated pine wood posts. Pre-galvanized inside and outside with powder coated top finish steel posts. Lead free aluminum with color anodized top finish. Greenline TexMade posts of 95% post-consumer recycled PE and textile waste.

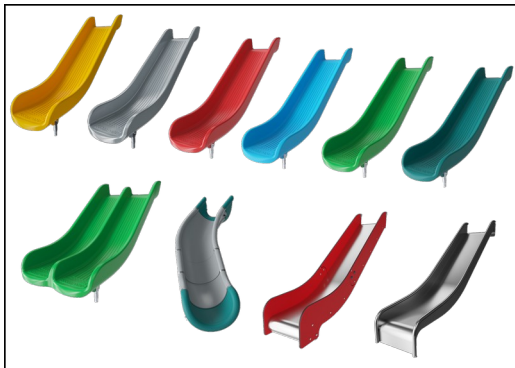


All decks are supported by unique designed low-carbon aluminum profiles with multiple attachment options. The grey colored molded decks are made of 75% post-consumer waste PP material with a non-skid pattern and texture surface.

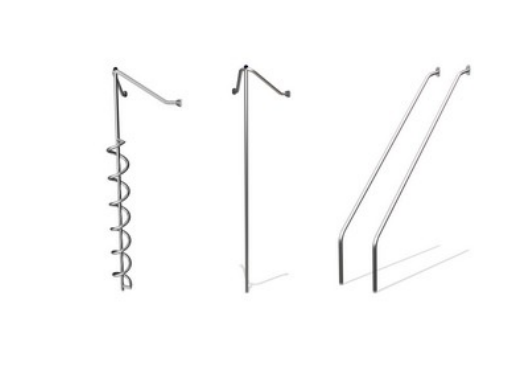
Item no. PCM301221-0901

Installation Information

Max. fall height	204 cm
Safety surfacing area	55.2 m ²
Total installation time	29.2
Excavation volume	0.82 m ³
Concrete volume	0.00 m ³
Footing depth (standard)	85 cm
Shipment weight	1,004 kg
Anchoring options	



The slides can be chosen in six different colors and three materials: Straight or curved one-piece molded PE slides, made from 33% recycled post-consumer materials in different colours. Combined EcoCore™ sides and stainless-steel. Full stainless steel in one piece design for more vandalism proof solutions.



The stainless-steel activities are made of high-quality stainless steel. The steel is cleaned by a total pickling process after manufacturing to ensure a smooth and clean gliding surfaces.



KOMPAN GreenLine versions are designed with ultimate environmentally friendly materials with lowest possible CO2e emission factor. TexMade post, EcoCore™ panels of 95% post-consumer recycled waste and molded PP decks.



Sustainability Data

PCM301221



Cradle to Gate A1-A3	Total CO ₂ emission	CO ₂ e/kg	Recycled materials
	kg CO ₂ e	kg CO ₂ e/kg	%
PCM301221-0951	1,452.20	1.74	65.10
PCM301221-0901	1,677.30	2.26	55.90

The overall framework applied for these factors is the Environmental Product Declaration (EPD), which quantifies "environmental information on the life cycle of a product and enable comparisons between products fulfilling the same function" (ISO, 2006). This follows the structure and applies a Life-Cycle Assessment approach to the entire Product stage from raw material through manufacturing (A1-A3))

Kompan A/S
 C.F. Tietgens Boulevard 32C
 DK-5220 Odense SØ
 Denmark



Verification of CO₂ calculation of: Play systems



Data version no. 2023-10-05

The CO₂ calculation and data are in compliance with the principles of a carbon footprint impact according to the GHG protocol (Greenhouse Gas Protocol), Scope 3, cradle to gate related to all individual components in the product category: "Play systems" represented by item no.: PCM200321-0950.

(Scope 3 emissions include emission sources in the upstream and downstream value chain).

Date: 30. October 2023 | Valid until: 30. October 2025

Verified by:

Julie Marie Vejsgaard Larsen, LCA & EPD Consultant

Verification based on report: Validation of CO₂ calculation of 9 categories of Kompan product line, version 1.0, prepared by: Bureau Veritas HSE, Denmark: Julie M. V. Larsen.

Publication date: 30. October 2023

By Bureau Veritas HSE
 www.bureauveritas.dk
 +45 7731 1000

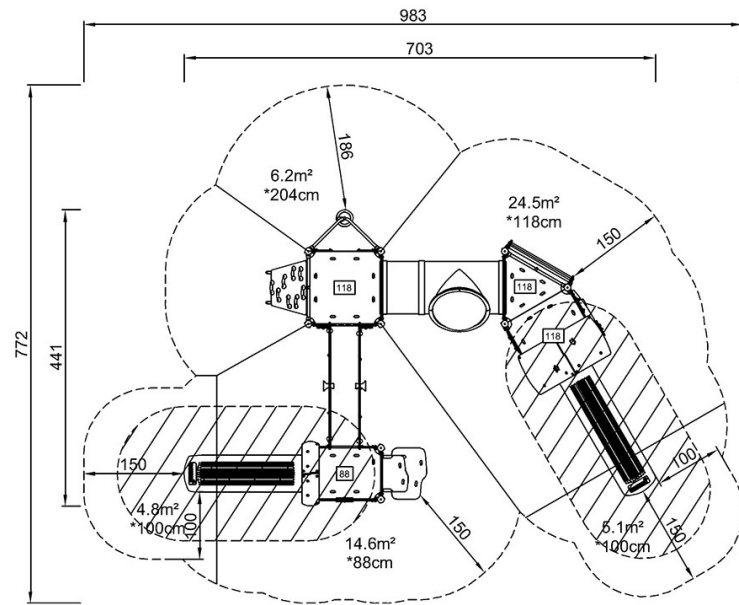


Angled triple Tower with U-Net

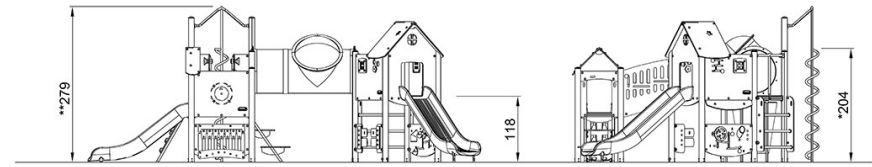
PCM301221

* Max fall height | ** Total height | *** Safety surfacing area

* Max fall height | ** Total height



PCM301221
*204cm
**279cm
***55.2m²



PCM301221

[Click to see TOP VIEW](#)

[Click to see SIDE VIEW](#)