

Oasis Sand House with Desk and Crane

NRO528



Item no. NRO528-1021	
General Product Information	
Dimensions LxWxH	253x353x287 cm
Age group	2+
Play capacity (users)	17
Color options	



The Oasis sand house with desk and crane attracts children immensely. The rich variation of play activities will absorb them in play for a long time. The crane is worked horizontally as well as vertically either by turning the grey plate or pulling the chain. The sand bucket will go up or down when pulling the chain. It will stay put when the chain is let go of. This, apart from

providing fascinating sand play, is a great training of children's logical thinking skills. The negotiation and cooperation to get sand to and from the sand table develops social-emotional skills. The sand table's sieve and tube lead sand away, training young children's understanding of object permanence: that things can still exist when out of sight. The

house with bench and desk inspires dramatic play. The open platform allows for all users to participate in play.



Oasis Sand House with Desk and Crane

NRO528



All Organic Robinia products by KOMPAN are made of Robinia wood from sustainable European sources. On request it can be supplied as FSC® Certified (FSC® C004450).



The paint used for coloured components is water based environmentally friendly with excellent UV resistance. The paint is in compliance with EN 71 Part 3.

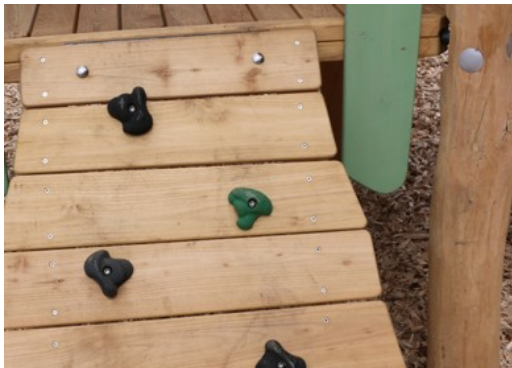


The Robinia products are designed with a KOMPAN colour concept with a number of different standard colours. The wood can also be supplied as untreated or with brown painted with a pigment that maintains the wood colour.

Item no. NRO528-1021

Installation Information

Max. fall height	48 cm
Safety surfacing area	27.0 m ²
Total installation time	20.7
Excavation volume	0.72 m ³
Concrete volume	0.10 m ³
Footing depth (standard)	100 cm
Shipment weight	1,063 kg
Anchoring options	In-ground ✓ Surface ✓



The product/activities are preassembled from the factory to ensure all safety requirements are considered.



Sustainability Data

NRO528



Cradle to Gate A1-A3	Total CO ₂ emission	CO ₂ e/kg	Recycled materials
	kg CO ₂ e	kg CO ₂ e/kg	%
NRO528-1021	301.50	0.36	3.30

The overall framework applied for these factors is the Environmental Product Declaration (EPD), which quantifies "environmental information on the life cycle of a product and enable comparisons between products fulfilling the same function" (ISO, 2006). This follows the structure and applies a Life-Cycle Assessment approach to the entire Product stage from raw material through manufacturing (A1-A3))

Kompan A/S
 C.F. Tietgens Boulevard 32C
 DK-5220 Odense SØ
 Denmark



Verification of CO₂ calculation of: Nature play



Data version no. 2023-10-05

The CO₂ calculation and data are in compliance with the principles of a carbon footprint impact according to the GHG protocol (Greenhouse Gas Protocol), Scope 3, cradle to gate related to all individual components in the product category: "Nature play" represented by item no.: NRO409-0621.

(Scope 3 emissions include emission sources in the upstream and downstream value chain).

Date: 30. October 2023 | Valid until: 30. October 2025

Verified by:

Julie Marie Vejsgaard Larsen, LCA & EPD Consultant

Verification based on report: Validation of CO₂ calculation of 9 categories of Kompan product line, version 1.0, prepared by: Bureau Veritas HSE, Denmark: Julie M. V. Larsen.

Publication date: 30. October 2023

By Bureau Veritas HSE
 www.bureauveritas.dk
 +45 7731 1000

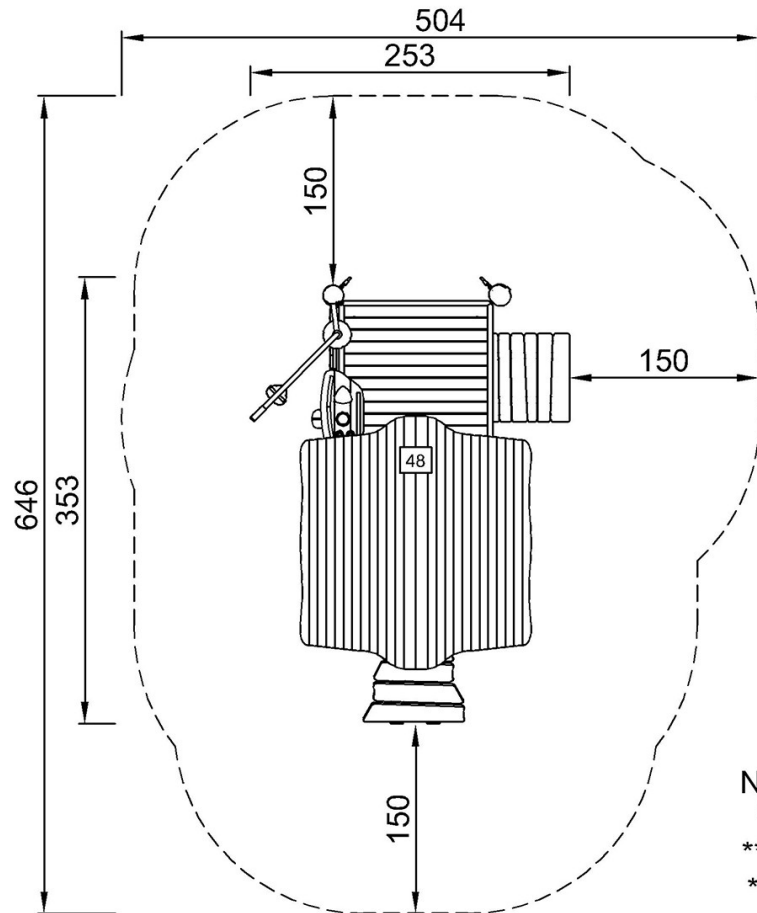


Oasis Sand House with Desk and Crane

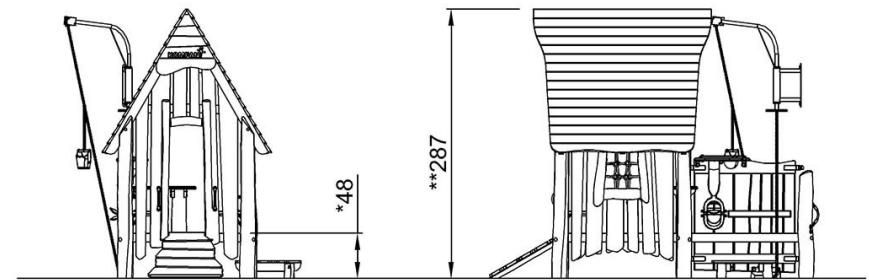
NRO528

* Max fall height | ** Total height | *** Safety surfacing area

* Max fall height | ** Total height



NRO528
*48cm
**287cm
***27m²



NRO528

[Click to see TOP VIEW](#)

[Click to see SIDE VIEW](#)