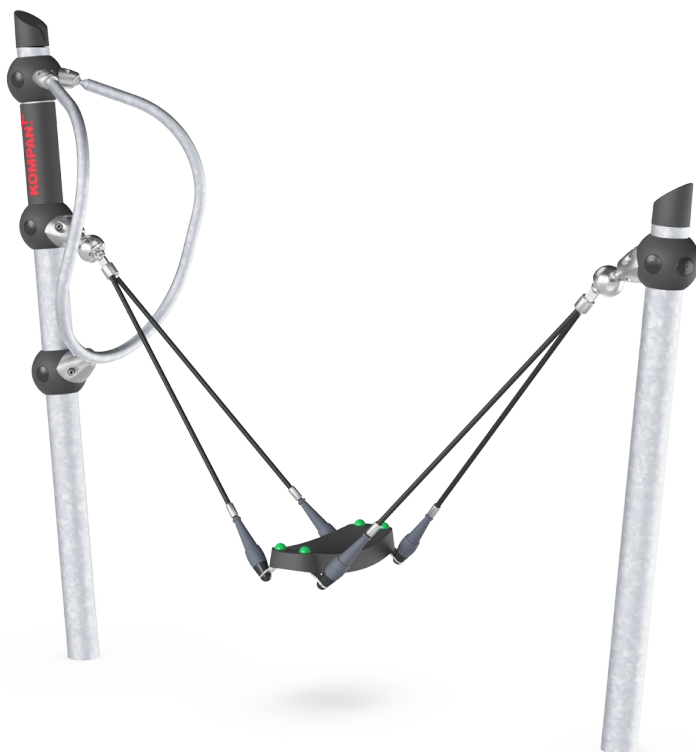


Flexus

GXY919



Item no. GXY919000-3717	
General Product Information	
Dimensions LxWxH	233x63x201 cm
Age group	6+
Play capacity (users)	1
Color options	



Flexus appeals immensely to teenagers. With its swaying, swinging movements, it gives immediate physical response that teenagers love. When standing on the footrest, holding the support bars and swaying the lower body back and forth, teens train the ABC of motor skills: agility, balance and coordination. The sense of balance is fundamental for all other

motor skills. During tween and teen years, due to growth spurts, the sense of balance takes extra training. The Flexus provides playful training of the sense of balance, and the agility. The movements resemble skiing movements and train leg, core and upper body muscles. The teenagers additionally make lots of positive competition on the Flexus. They teach

peers new skills and train turn-taking and negotiation.



Flexus

GXY919



The steel surfaces of GALAXY are hot dip galvanised inside and outside with lead free zinc. The galvanisation has excellent corrosion resistance in outside environments and requires low maintenance.



The unique designed GALAXY connection ball is made with an inner circular core of aluminium surrounded by a shell of hard PP with a outer layer of soft TPV rubber. Flexible lead free aluminium connectors allow for installation in variable angles.



GALAXY ropes has six-stranded steel wires and a steel wire core. Each strand is tightly wrapped with PES yarn, which is melted onto each individual strand. The PES yarn is made of +95% Post-consumer materials and is inductively melted onto each strand to obtain excellent wear and tear resistance.

Item no. GXY919000-3717	
Installation Information	
Max. fall height	135 cm
Safety surfacing area	18.6 m ²
Total installation time	3.9
Excavation volume	0.86 m ³
Concrete volume	0.48 m ³
Footing depth (standard)	90 cm
Shipment weight	150 kg
Anchoring options	In-ground ✓ Surface ✓



Bearing systems in heavy duty design in a maintenance free construction. All steel bearings are fully closed and lifetime lubricated.



Coloured steel components has a base of hot dip galvanisation and a powder coated top finish. This provides an ultimate corrosion resistance in all climates around the world.



Galaxy products are available in different colour combinations with either hot dip galvanised steel surface treatment or optional with powder top finish of selected steel components. Colours of the activities are adjusted to support the individual colour combination.



Sustainability Data

GXY919



Cradle to Gate A1-A3

Total CO₂ emission

CO₂e/kg

Recycled materials

kg CO₂e

kg CO₂e/kg

%

GXY919000-3717

257.00

3.07

37.70

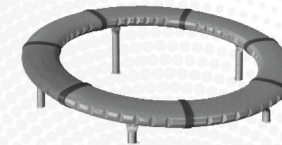
The overall framework applied for these factors is the Environmental Product Declaration (EPD), which quantifies "environmental information on the life cycle of a product and enable comparisons between products fulfilling the same function" (ISO, 2006). This follows the structure and applies a Life-Cycle Assessment approach to the entire Product stage from raw material through manufacturing (A1-A3))

Kompan A/S

C.F. Tietgens Boulevard 32C
DK-5220 Odense SØ
Denmark



Verification of CO₂ calculation of: Freestanding play equipment



Data version no. 2023-10-05

The CO₂ calculation and data are in compliance with the principles of a carbon footprint impact according to the GHG protocol (Greenhouse Gas Protocol), Scope 3, cradle to gate related to all individual components in the product category: "Freestanding play equipment" represented by item no.: GXY916012-3417.

(Scope 3 emissions include emission sources in the upstream and downstream value chain).

Date: 30. October 2023 | Valid until: 30. October 2025

Verified by:

Julie Marie Vejsgaard Larsen, LCA & EPD Consultant

Verification based on report: Validation of CO₂ calculation of 9 categories of Kompan product line, version 1.0, prepared by: Bureau Veritas HSE, Denmark: Julie M. V. Larsen.

Publication date: 30. October 2023

By Bureau Veritas HSE

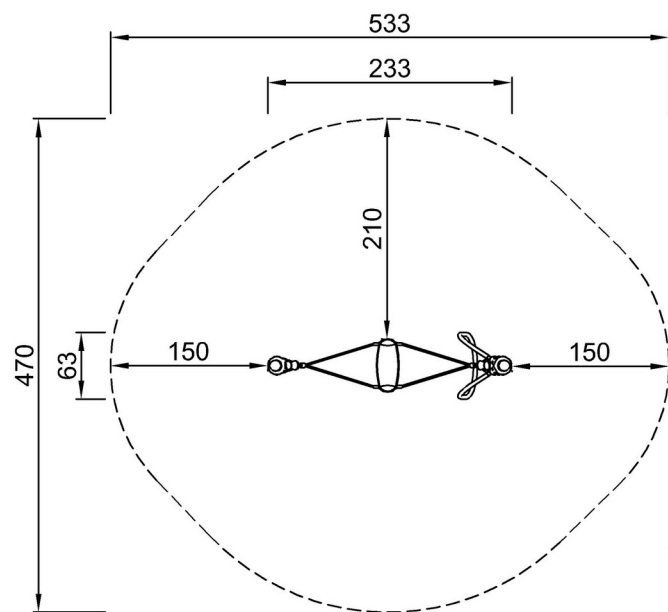
www.bureauveritas.dk

+45 7731 1000

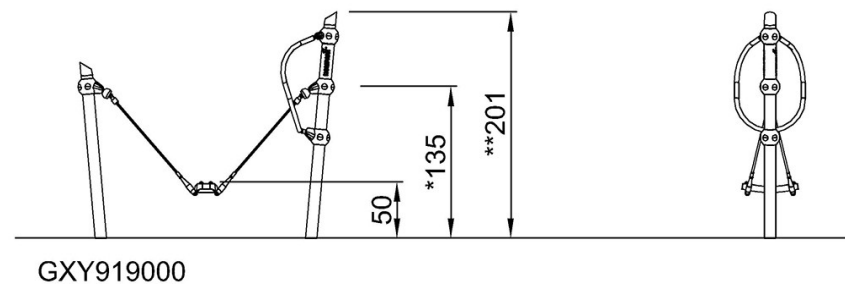


* Max fall height | ** Total height | *** Safety surfacing area

* Max fall height | ** Total height



GXY919000-xx17
*135cm
**201cm
***18.6m²



[Click to see TOP VIEW](#)

[Click to see SIDE VIEW](#)