

# Blazer

ELE400021



Item no. ELE400021-3218

### General Product Information

Dimensions LxWxH	228x200x79 cm
Age group	3+
Play capacity (users)	6
Colour options	



The Blazer is a distant relative of the seesaw, but with an Easy Rider twist. The movement, rhythm and melody of the Blazer changes with the number and position of the riders, with room for 1, 2, 3 and more in the middle. Every move counts on the Blazer as children learn how to make it change its motion.



# Blazer

ELE400021



## Center platform with groove

**Physical:** train balance and space when standing, using leg and core muscles. Jumping off strengthens bone density. Afford sitting and lying, allowing for users with disabilities. **Social-Emotional:** provides an inclusive space, for gathering and for care givers assisting. Teamwork and socializing when rocking together. **Cognitive:** rules games can occur standing or sitting inside and outside groove.



## Color variation

**Cognitive:** supports rules understanding and rules games: children will find reasons for choosing the one or the other color.



## Wacky body

**Physical:** hollow seat and sturdy foot and hand support allows for intensity in riding, training arm and leg muscles as well as the senses of space and balance.



## Triple wacky bodies

**Physical:** allow for wild rides with others, supporting sense of balance and space as well as leg and arm muscles. **Social-Emotional:** cooperation when coordinating the movements of the three pods. **Cognitive:** understanding of cause and effect when coordinating movements with others.



## Spring base

**Physical:** rocking promotes sense of balance and space, both important in for navigating the body confidently in space. **Social-Emotional:** consideration of others when rocking.

# Blazer

ELE400021



KOMPAN Springs are made of high quality spring steel according to EN10270. The springs are cleaned by phosphating before they are painted with an epoxy primer and a polyester powder coating as top finish. The springs are fixed by unique anti pinch fittings for maximum safety and long lifetime.



Handles and footrests are made with a moulded PP insert and an outer layer of soft TPV rubber. The handles and footrests are attached to the pipe with a galvanised steel inlay to ensure strength and durability.



The middle plate is made of HPL with a thickness of 17.8mm. It has a very high wearing strength and a unique KOMPAN non skid surface texture.



The steel surfaces are hot dip galvanised inside and outside with lead free zinc. The galvanisation has excellent corrosion resistance in outside environments and requires low maintenance.



The seat is made with recycable PE from 33% post consumer materials and moulded in one piece with a minimum 5mm wall thickness. PE has high impact resistance across a wide temperature span which ensures vandal resistance in all locations.



KOMPAN GreenLine versions are designed with ultimate environmentally friendly materials with lowest possible CO2e emission factor such as EcoCore™ panels of +95% post consumer recycled ocean waste.

Item no. ELE400021-3218

### Installation Information

Max. fall height	100 cm
Safety surfacing area	14.3 m <sup>2</sup>
Total installation time	4.0
Excavation volume	0.66 m <sup>3</sup>
Concrete volume	0.00 m <sup>3</sup>
Footing depth (standard)	42 cm
Shipment weight	199 kg
Anchoring options	In-ground ✓ Surface ✓

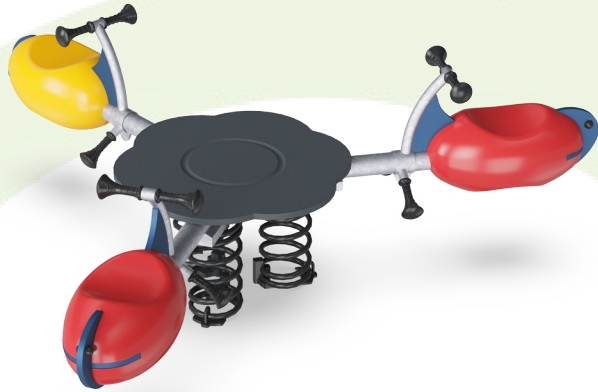
### Warranty Information

Hollow PE parts	10 years
HPL platform	15 years
Spare parts guaranteed	10 years
Springs	5 years
Stainless steel components	Lifetime



# Sustainability Data

ELE400021



Cradle to Gate A1-A3	Total CO <sub>2</sub> emission	CO <sub>2</sub> e/kg	Recycled materials
	kg CO <sub>2</sub> e	kg CO <sub>2</sub> e/kg	%
<b>ELE400021-3218</b>	316.59	2.30	36.36

The overall framework applied for these factors is the Environmental Product Declaration (EPD), which quantifies "environmental information on the life cycle of a product and enable comparisons between products fulfilling the same function" (ISO, 2006). This follows the structure and applies a Life-Cycle Assessment approach to the entire Product stage from raw material through manufacturing (A1-A3))

**Kompan A/S**  
 C.F. Tietgens Boulevard 32C  
 DK-5220 Odense SØ  
 Denmark



## Verification of CO<sub>2</sub> calculation of: Freestanding play equipment



Data version no. 2023-10-05

The CO<sub>2</sub> calculation and data are in compliance with the principles of a carbon footprint impact according to the GHG protocol (Greenhouse Gas Protocol), Scope 3, cradle to gate related to all individual components in the product category: "Freestanding play equipment" represented by item no.: GXY916012-3417.

(Scope 3 emissions include emission sources in the upstream and downstream value chain).

**Date: 30. October 2023 | Valid until: 30. October 2025**

**Verified by:**

Julie Marie Vejsgaard Larsen, LCA & EPD Consultant

Verification based on report: Validation of CO<sub>2</sub> calculation of 9 categories of Kompan product line, version 1.0, prepared by: Bureau Veritas HSE, Denmark: Julie M. V. Larsen.

**Publication date: 30. October 2023**

**By Bureau Veritas HSE**  
 www.bureauveritas.dk  
 +45 7731 1000



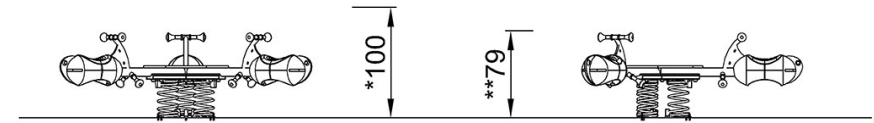
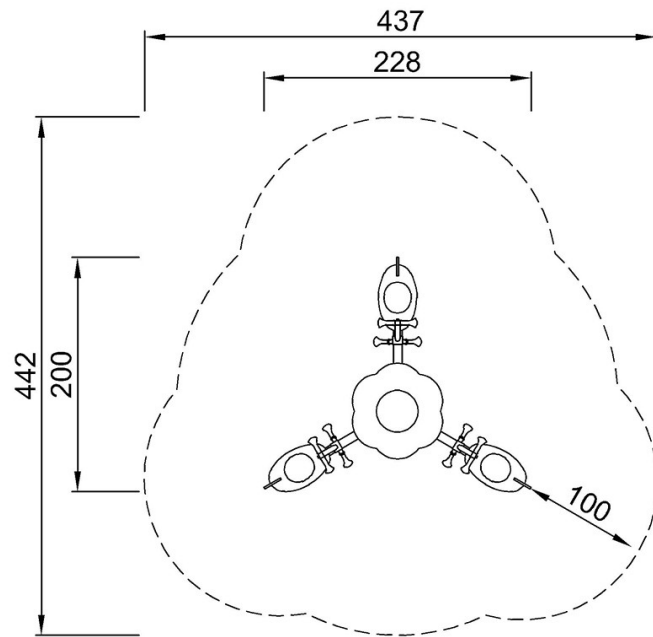


# Blazer

ELE400021

\* Max fall height | \*\* Total height | \*\*\* Safety surfacing area

\* Max fall height | \*\* Total height



ELE400021

ELE400021  
\*100cm  
\*\*79cm  
\*\*\*14.3m<sup>2</sup>

[Click to see TOP VIEW](#)

[Click to see SIDE VIEW](#)