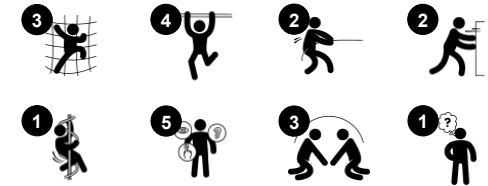
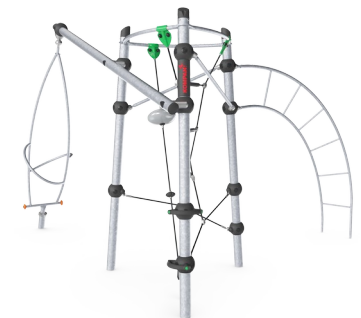


Item no. GXY936012-3717	
General Product Information	
Dimensions LxWxH	379x398x293 cm
Age group	6+
Play capacity (users)	8
Color options	



The Rigel has fantastic play versatility. Tweens and teens will feel attracted by the varied, challenging climb, balance and spin activities of the Rigel. In the early teenage years, the sense of balance needs training due to the rapid physical growth. The Musca spinner whirls around when children enter and put their full muscle force into pushing and pulling it around.

This trains the sense of balance. It also fosters an understanding of rotation principles. The Jacob's Ladder is a challenging twisted ladder that only older children can manage. Rigel is perfect for socialising tweens with the rope and seat options in the centre, inviting meetings.





The steel surfaces of GALAXY are hot dip galvanised inside and outside with lead free zinc. The galvanisation has excellent corrosion resistance in outside environments and requires low maintenance.



The unique designed GALAXY connection ball is made with an inner circular core of aluminium surrounded by a shell of hard PP with a outer layer of soft TPV rubber. Flexible lead free aluminium connectors allow for installation in variable angles.



Ropes of UV-stabilized PES rope strands with inner steel cable reinforcement. The polyester yarn is made from +95% post-consumer materials and is inductively melted onto each strand.

Item no. GXY936012-3717

Installation Information

Max. fall height	249 cm
Safety surfacing area	39.9 m ²
Total installation time	9.8
Excavation volume	1.21 m ³
Concrete volume	1.20 m ³
Footing depth (standard)	90 cm
Shipment weight	414 kg
Anchoring options	In-ground ✓ Surface ✓



Bearing systems in heavy duty design in a maintenance free construction. All steel bearings are fully closed and lifetime lubricated.



Coloured steel components has a base of hot dip galvanisation and a powder coated top finish. This provides an ultimate corrosion resistance in all climates around the world.

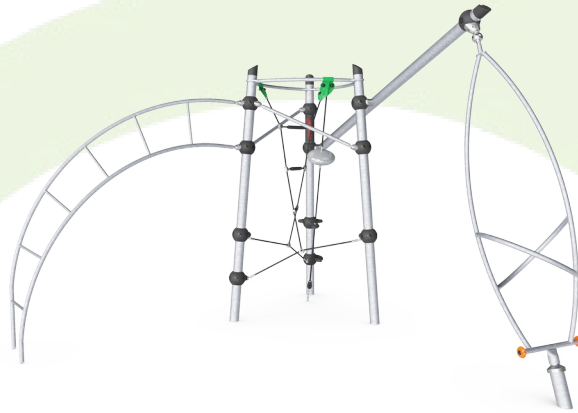


Galaxy products are available in different colour combinations with either hot dip galvanised steel surface treatment or optional with powder top finish of selected steel components. Colours of the activities are adjusted to support the individual colour combination.



Sustainability Data

GXY936



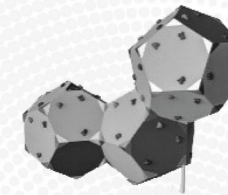
Cradle to Gate A1-A3	Total CO ₂ emission	CO ₂ e/kg	Recycled materials
	kg CO ₂ e	kg CO ₂ e/kg	%
GXY936012-3717	848.60	3.01	41.00

The overall framework applied for these factors is the Environmental Product Declaration (EPD), which quantifies "environmental information on the life cycle of a product and enable comparisons between products fulfilling the same function" (ISO, 2006). This follows the structure and applies a Life-Cycle Assessment approach to the entire Product stage from raw material through manufacturing (A1-A3))

Kompan A/S
 C.F. Tietgens Boulevard 32C
 DK-5220 Odense SØ
 Denmark



Verification of CO₂ calculation of: Challengers & Climbers



Data version no. 2023-10-05

The CO₂ calculation and data are in compliance with the principles of a carbon footprint impact according to the GHG protocol (Greenhouse Gas Protocol), Scope 3, cradle to gate related to all individual components in the product category: "Challengers & Climbers" represented by item no.: BLX410301-3717.

(Scope 3 emissions include emission sources in the upstream and downstream value chain).

Date: 30. October 2023 | Valid until: 30. October 2025

Verified by:

Julie Marie Vejsgaard Larsen, LCA & EPD Consultant

Verification based on report: Validation of CO₂ calculation of 9 categories of Kompan product line, version 1.0, prepared by: Bureau Veritas HSE, Denmark: Julie M. V. Larsen.

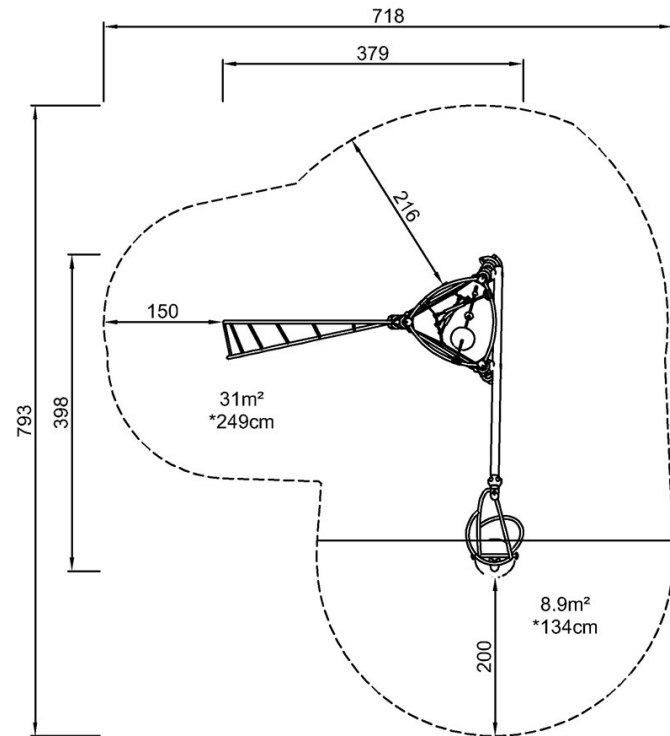
Publication date: 30. October 2023

By Bureau Veritas HSE
 www.bureauveritas.dk
 +45 7731 1000

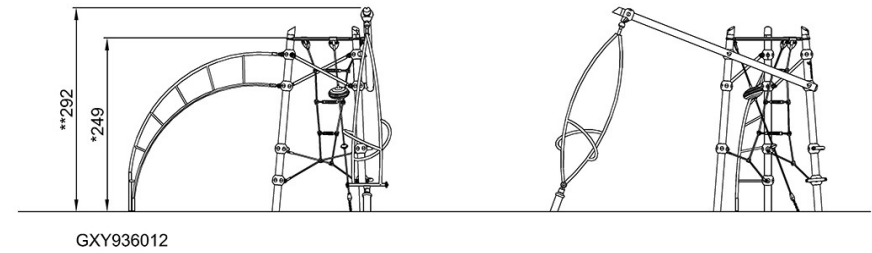


* Max fall height | ** Total height | *** Safety surfacing area

* Max fall height | ** Total height



GXY936012-xx17
*249cm
**293cm
***39.9m²



[Click to see TOP VIEW](#)

[Click to see SIDE VIEW](#)