

# Water Tap

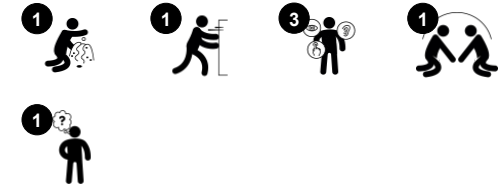
M59305



产品编号 M59305-34

## 产品信息概览

长宽高尺寸	29x17x107 cm
适用年龄段	2+
容纳人数	1
颜色选择	



The water tap is a fantastic play invitation. With its unique universal de-sign it attracts all children in play again and again. The yellow tap only pours water when pushed. When the child lets go of it, the water stops running. It is put at a height where everyone can reach it. Streaming water holds an eternal attraction to children. When merged with sand, the play

experience gets magic. Pushing the tap and feeling the sensation of water streaming will stimulate children's thinking skills and their understanding of cause and effect. Furthermore, the tactile Stimulation is intense. Merging water with sand will inspire hours of creative play, shaping and building sand, getting to know the changing characteristics of

sand when it is dry and when it is wet and can be shaped.



# Water Tap

M59305



## Water tap

**社交情感：**在取水时培养轮流和合作意识。**认知能力：**培养对因果关系的理解能力和逻辑思维，找出如何推水和放手来停止水流。**创造力：**改变水流量和顺序。



# Water Tap

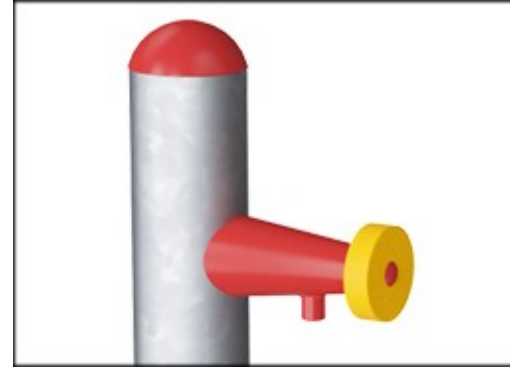
M59305



钢表面内外均采用无铅热镀锌镀层，户外耐蚀性高，维护成本低。



19mm EcoCore™ HDPE 面板。这种高度耐用、环保的材料不仅在使用后可回收利用，而且其内芯由 100 % 可回收材料制成。



一体式水龙头在按下时会打开，松开时停止。水通过立柱内部的管道供水，立管底部的软管或管道连接。供水可通过松动的软管，或永久的地下管线。

产品编号 M59305-34

## 安装信息

最大跌落高度	0 cm
安全面积	8.2 m <sup>2</sup>
安装总时长	1.3
开挖量	0.38 m <sup>3</sup>
混凝土使用量	0.30 m <sup>3</sup>
标准入地深度	90 cm
运输重量	25 kg
固定选项	入地 ✓ 地表 ✓

## 质保信息

EcoCore HDPE	终身质保
镀锌钢结构	终身质保
活动部件	2 年
固体塑料零件	10 年
承保零部件	10 年



# Sustainability Data

M59305



## 从原材料到成品

CO<sub>2</sub> 排放总量

kg CO<sub>2</sub>e

CO<sub>2</sub> 排放量 / 千克

kg CO<sub>2</sub>e/kg

回收的原料

%

M59305-34

48.55

2.41

37.71

这些因素采用的总体框架为环保产品声明 (EPD), 该声明可量化“产品生命周期的环保信息, 并对相同功能的产品进行对比” (ISO, 2006)。在遵循该框架的同时, 对从原材料到制造的整个产品阶段 (A1-A3) 应用生命周期评估法。

### Kompan A/S

C.F. Tietgens Boulevard 32C  
DK-5220 Odense SØ  
Denmark



### Verification of CO<sub>2</sub> calculation of: Nature play



Data version no. 2023-10-05

The CO<sub>2</sub> calculation and data are in compliance with the principles of a carbon footprint impact according to the GHG protocol (Greenhouse Gas Protocol), Scope 3, cradle to gate related to all individual components in the product category: "Nature play" represented by item no.: NRO409-0621.

(Scope 3 emissions include emission sources in the upstream and downstream value chain).

**Date: 30. October 2023 | Valid until: 30. October 2025**

Verified by:

Julie Marie Vejsgaard Larsen, LCA & EPD Consultant

Verification based on report: Validation of CO<sub>2</sub> calculation of 9 categories of Kompan product line, version 1.0, prepared by: Bureau Veritas HSE, Denmark: Julie M. V. Larsen.

**Publication date: 30. October 2023**

By Bureau Veritas HSE  
www.bureauveritas.dk  
+45 7731 1000

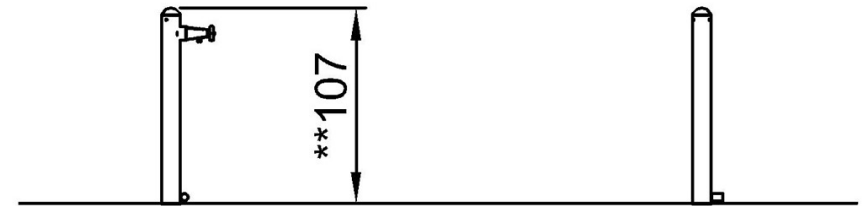
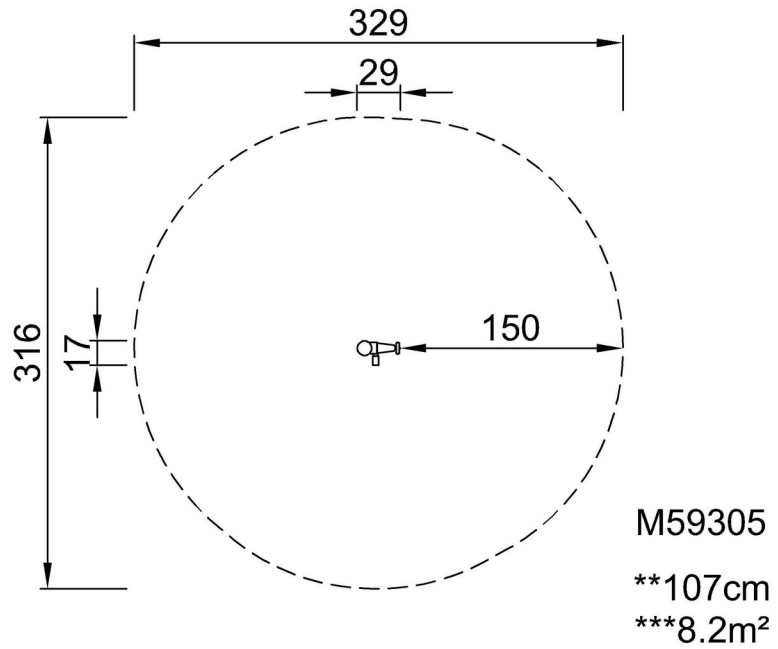


# Water Tap

M59305

最大跌落高度 | 总高度 | 安全区域

最大跌落高度 | 总高度



M59305  
1:100

[点击查看俯视图](#)

[点击查看侧面图](#)