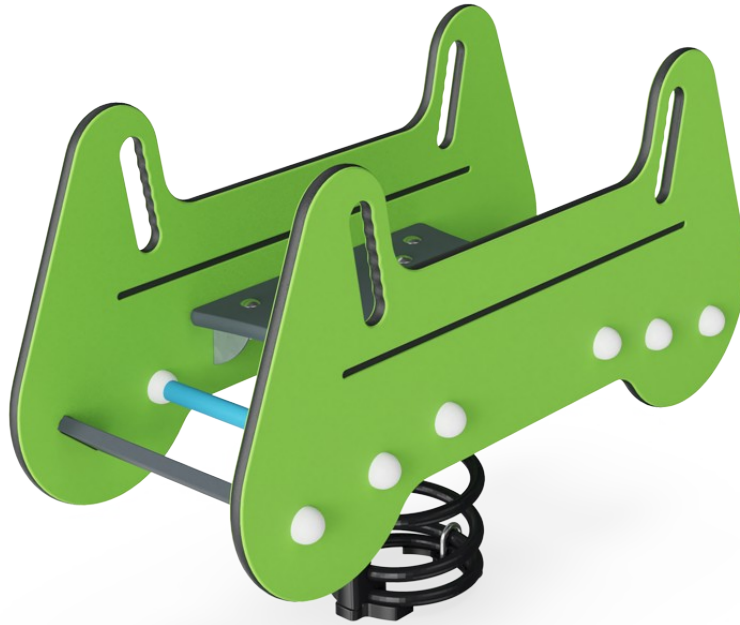


Double Springer, Two Seats

KPL121



Item no. KPL121-0401

General Product Information

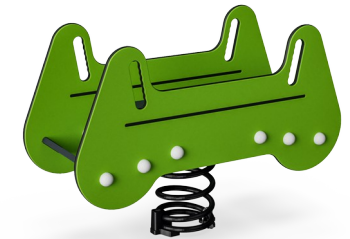
Dimensions LxWxH	3'1"x1'2"x2'2"
Age group	2 - 5
Play capacity (users)	2
Color options	 



The Double Springer is a whimsical and attractive springer for two. It attracts players again and again, thanks to the combined play invitation for movement and social interaction. The attraction of rocking together is very much based in the movement response and the opportunity for friendly rough-and-tumble play with a friend. The carved handholds and

inclined foot supports invite a seated position with a low handhold. This makes rocking together a fun challenge. Furthermore the arm and leg muscles get ample use and training. It trains the sense of rhythm and the coordination. These are crucial motor skills that help children navigate the world securely, e.g. in the street when estimating time, movement

and objects. The social dimension and the cooperation with friends train social-emotional life skills such as taking turns and cooperation. Empathy is trained as well, as players consider others' limits and limitations.



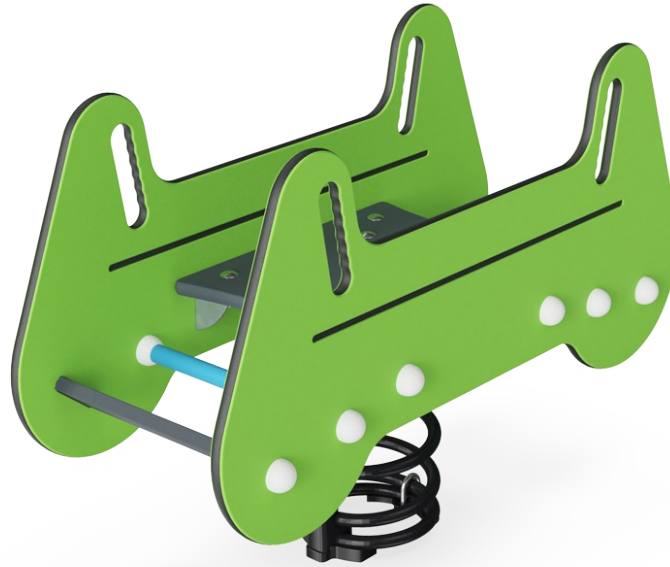
Double Springer, Two Seats

KPL121



Handhold

Physical: the vertical handgrips ensure a firm grip at different heights, necessary for rocking intensely. This trains hand and arm muscles.



Rocking spring

Physical: response to movement increases spatial awareness and sense of balance. These are fundamental motor skills that help the child's ability to sit still on a chair which takes a good sense of balance. **Cognitive:** trains the understanding of cause and effect: when I move my body, the spring responds with movement.



Double seating option

Social-Emotional: the possibility of rocking together supports cooperation skills. Furthermore, the physical contact with others is great for the well-being of children, measurable in lower cortisol (stress hormone) levels.



Foot support

Physical: the possibility of footrest supports intense rocking. Rocking stimulates the senses of balance and space that are fundamental in managing the world securely.

Double Springer, Two Seats

KPL121



Panels of 19mm EcoCore™. EcoCore™ is a highly durable, eco friendly material, which is not only recyclable after use, but also consists of a core produced from 100% recycled material.



KOMPAN Springs are made of high quality spring steel according to EN10270. The springs are cleaned by phosphating before they are painted with an epoxy primer and a polyester powder coating as top finish. The springs are fixed by unique anti pinch fittings for maximum safety and long lifetime.



The springs are fixed by unique anti pinch fittings for maximum safety and long lifetime.

Item no. KPL121-0401	
Installation Information	
Max. fall height	1'3"
Safety surfacing area	172ft ²
Total installation time	2.4
Excavation volume	0.22yd ³
Concrete volume	0yd ³
Footing depth (standard)	1'5"
Shipment weight	82lbs
Anchoring options	In-ground ✓ Surface ✓
Warranty Information	
EcoCore HDPE	Lifetime
Handle	10 Years
PE/PP Components	5 Years
Spare Parts Availability	10 Years
Springs	5 Years



Seat is made of Ekogrip™ panel that consist of a 15mm thick PE base with 3 mm top-layer of soft rubber with a non-skid effect.



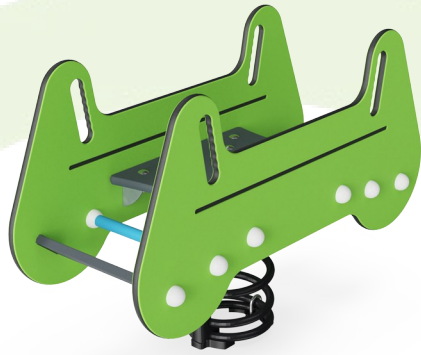
Handle is made of polypropylene PP with excellent impact strength and usable within a large temperature span.

Elevated activities 0	Accessible elevated activities	Accessible ground level activities	Accessible ground level play types
Present	0	1	1
Required	0	1	1



Sustainability Data

KPL121



Cradle to Gate A1-A3	Total CO ₂ emission	CO ₂ e/kg	Recycled materials
	kg CO ₂ e	kg CO ₂ e/kg	%
KPL121-0401	78.67	2.21	52.23

The overall framework applied for these factors is the Environmental Product Declaration (EPD), which quantifies "environmental information on the life cycle of a product and enable comparisons between products fulfilling the same function" (ISO, 2006). This follows the structure and applies a Life-Cycle Assessment approach to the entire Product stage from raw material through manufacturing (A1-A3))

Kompan A/S
C.F. Tietgens Boulevard 32C
DK-5220 Odense SØ
Denmark



Verification of CO₂ calculation of: Freestanding play equipment



Data version no. 2023-10-05

The CO₂ calculation and data are in compliance with the principles of a carbon footprint impact according to the GHG protocol (Greenhouse Gas Protocol), Scope 3, cradle to gate related to all individual components in the product category: "Freestanding play equipment" represented by item no.: GXY916012-3417.

(Scope 3 emissions include emission sources in the upstream and downstream value chain).

Date: 30. October 2023 | Valid until: 30. October 2025

Verified by:

Julie Marie Vejsgaard Larsen, LCA & EPD Consultant

Verification based on report: Validation of CO₂ calculation of 9 categories of Kompan product line, version 1.0, prepared by: Bureau Veritas HSE, Denmark: Julie M. V. Larsen.

Publication date: 30. October 2023

By Bureau Veritas HSE
www.bureauveritas.dk
+45 7731 1000

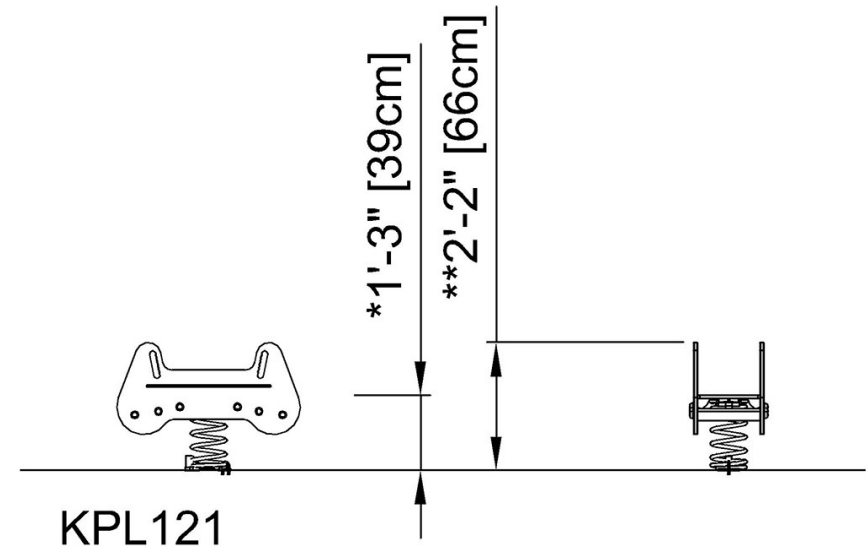
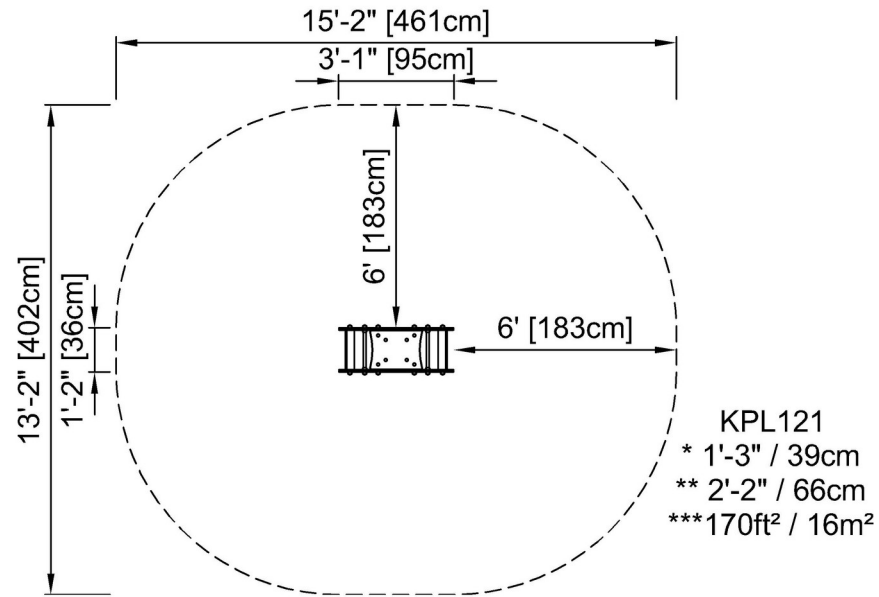


Double Springer, Two Seats

KPL121

* Max fall height | ** Total height | *** Safety surfacing area

* Max fall height | ** Total height



[Click to see TOP VIEW](#)

[Click to see SIDE VIEW](#)