

Rope Nest Seat 120cm H:2.5m

SW990111






The shallow, smooth rope nest swing is a hugely inviting play activity. The soft bumpers make this a very comfortable swing seat, which is easy and pleasant to push and use. The lightweight seat welcomes users of all ages and abilities, and heaps of them at any one time, laying, standing, or seated, making children return for more play again and again.

The holes in the surface provide extra support for holding tight. The Shell Nest swinging stimulates children's motor skills, such as balance and coordination. They train core muscles as well as leg and arm muscles when pulling and pushing the swing into motion. The basket invites rough-and-tumble play and stimulates important socio-emotional skills:

turn-taking and cooperation. These are crucial life skills, fun to learn in play.



Item no. SW990111-03	
General Product Information	
Dimensions LxWxH	193x124x0 cm
Age group	2+
Play capacity (users)	7
Colour options	  

Rope Nest Seat 120cm H:2.5m

SW990111



Bird nest swing

Physical: balance, coordination and spatial awareness are developed when swinging. The swinging movement trains the arm, leg and core muscles. **Social-Emotional:** the spacious seat allows for many children standing, lying, seated together and is inclusive for all. **Cognitive:** 'Cause and effect' understanding, rhythm and thinking skills are developed in younger children.

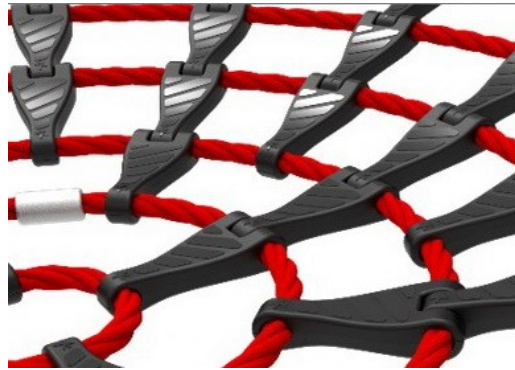


Rope Nest Seat 120cm H:2.5m

SW990111



KOMPAN's bird's nest seats have been designed to be light in weight and compliant with global safety standards. The soft, shock-absorbent bumpers has a non-slip surface, making the swing seat extremely user friendly. You can choose between a rope version with reinforced PA rope or a moulded PE version.



Rope loops of the seat are made of single braided 16 mm PES ropes. PES is highly durable and resistant to abrasion and UV radiation. The rope loops are connected by nylon (PA6) connectors.



The bumpers are made with a core of strong polypropylene (PP) with a softer outer layer of thermoplastic rubber (TPE). The soft, shock-absorbent bumpers with non-slip surface makes the swing seat extremely user friendly.

Item no. SW990111-03	
Installation Information	
Max. fall height	143 cm
Safety surfacing area	18.9 m ²
Total installation time	0.5
Excavation volume	0.00 m ³
Concrete volume	0.00 m ³
Footing depth (standard)	0 cm
Shipment weight	40 kg
Anchoring options	
Warranty Information	
Chains	10 years
PE/PP Components	5 years
Ropes & Nets	10 years
Spare Parts Guarantee	10 years



KOMPAN's swing hangers are heavy-duty and designed with stainless steel and anti-twist functions. The hangers attach to the cross beam on a welded bracket with two bolts. The bearings are embedded with silicone lubricant and need no further lubrication; ensuring low maintenance.



Upper chain and safety chain are made of high-quality stainless steel to guarantee the durability of the product.



Ropes are made of UV-stabilised PA with inner steel cable reinforcement. The rope is induction treated to create a secure connection between steel and rope, which leads to excellent wear resistance.



Sustainability Data

SW990111



Cradle to Gate A1-A3

Total CO₂ emission

CO₂e/kg

Recycled materials

kg CO₂e

kg CO₂e/kg

%

SW990111-03

192.98

5.35

21.80

The overall framework applied for these factors is the Environmental Product Declaration (EPD), which quantifies "environmental information on the life cycle of a product and enable comparisons between products fulfilling the same function" (ISO, 2006). This follows the structure and applies a Life-Cycle Assessment approach to the entire Product stage from raw material through manufacturing (A1-A3))

Kompan A/S

C.F. Tietgens Boulevard 32C
DK-5220 Odense SØ
Denmark



Verification of CO₂ calculation of: Freestanding play equipment



Data version no. 2023-10-05

The CO₂ calculation and data are in compliance with the principles of a carbon footprint impact according to the GHG protocol (Greenhouse Gas Protocol), Scope 3, cradle to gate related to all individual components in the product category: "Freestanding play equipment" represented by item no.: KSW92011-0910.

(Scope 3 emissions include emission sources in the upstream and downstream value chain).

Date: 30. October 2023 | Valid until: 30. October 2025

Verified by:

Julie Marie Vejsgaard Larsen, LCA & EPD Consultant

Verification based on report: Validation of CO₂ calculation of 9 categories of Kompan product line, version 1.0, prepared by: Bureau Veritas HSE, Denmark: Julie M. V. Larsen.

Publication date: 30. October 2023

By Bureau Veritas HSE

www.bureauveritas.dk

+45 7731 1000

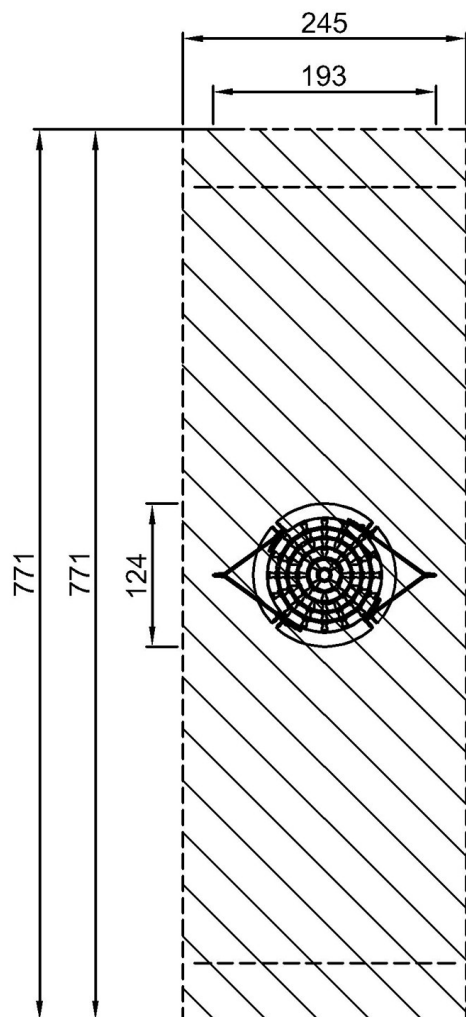


Rope Nest Seat 120cm H:2.5m

SW990111

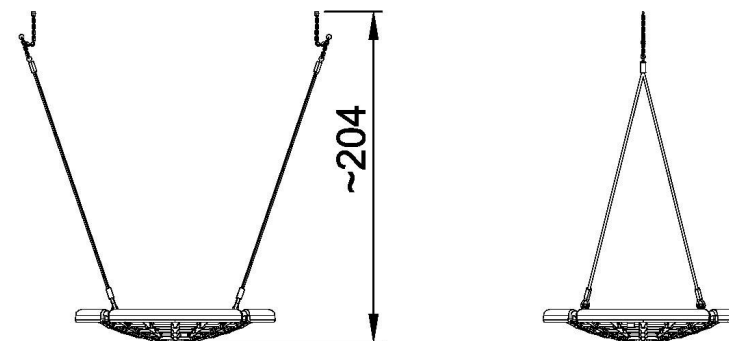
* Max fall height | ** Total height | *** Safety surfacing area

* Max fall height | ** Total height



SW990111

***18.9m²



SW990111
1:100

[Click to see TOP VIEW](#)

[Click to see SIDE VIEW](#)