

Rocket Roller™

GXY970



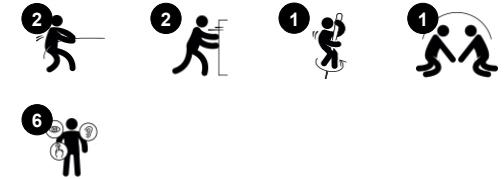
WOW, the Rocket Roller, with its intriguing shape, attracts children and encourages play again and again. It tickles the stomach, rotates, and encourages children to play together. The shape and possibility to push and pull the tubes invite cooperation. Children can be active together and train empathy, cooperation, and turn-taking skills. The inclination allows children

to adjust the speed with pushing and pulling motions, challenging their proprioception and spatial awareness.

Muscles are also developed when holding tight in the fast and fun spin. Children train their sense of balance when rotating, sitting, or standing, which is fundamental for all other

motor skills. A well-trained sense of balance helps children navigate the world securely and is essential for being able to sit still and concentrate.

Item no. GXY970032-3717	
General Product Information	
Dimensions LxWxH	2'11"x2'4"x8'2"
Age group	5 - 12
Play capacity (users)	2
Color options	



Rocket Roller™

GXY970



Rocket Roller

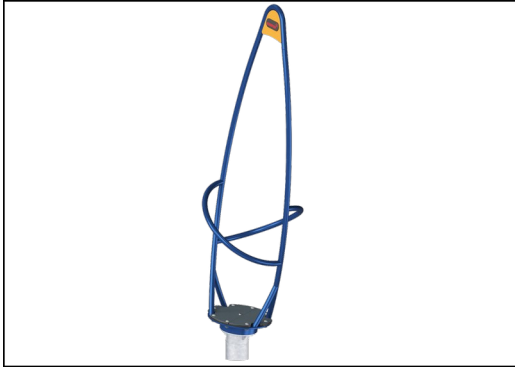
Physical: Core and arm muscles and sense of balance and space are trained when using the whole body to start or stop the Rocket Roller's spinning movement. **Social-**

Emotional: turn-taking, cooperation and team spirit is supported when spinning standing, seated, together in smaller or bigger groups, and getting dizzy from spinning. **Cognitive:** logical thinking when speeding up or slowing down the spin by different body movements.



Rocket Roller™

GXY970



The steel surfaces are hot-dip galvanized inside and outside with lead-free zinc. The galvanization has excellent corrosion resistance in outside environments and requires minimal maintenance.



Heavy duty engineered bearing system with single row deep groove ball bearings with rubber seals. The fully closed bearing construction is lifetime lubricated and maintenance free.



Upper plate is made of Ekogrip® panel that consist of a 15mm thick PE base with 3 mm top-layer of soft rubber with a non-skid effect.

Item no. GXY970032-3717

Installation Information

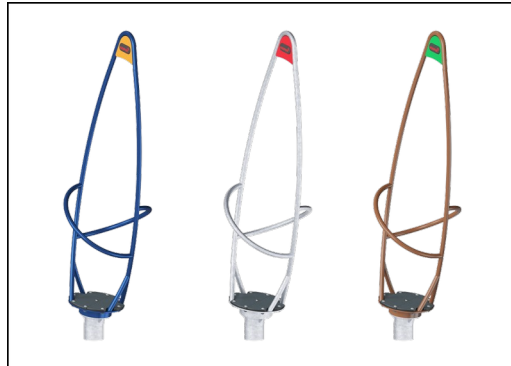
Max. fall height	3'3"
Safety surfacing area	400ft ²
Total installation time	3.1
Excavation volume	1.31yd ³
Concrete volume	0.92yd ³
Footing depth (standard)	3'3"
Shipment weight	247lbs
Anchoring options	In-ground ✓

Warranty Information

Bearing	5 Years
EcoCore HDPE	Lifetime
Hot dip galvanized steel	Lifetime
Spare Parts Availability	10 Years



Panels of 19mm EcoCore™. EcoCore™ is a highly durable, eco-friendly material, which is not only recyclable after use but also consists of material produced from +95% recycled post-consumer material from food packing waste.



The Rocket Roller is available in three different iconic color concepts. But the roller can also be customized to your preferences and personalized with various Kompan colors for the base plate and frame.

Elevated activities 0	Accessible elevated activities	Accessible ground level activities	Accessible ground level play types
Present	0	1	1
Required	0	1	1

**ASTM
F1487**
compliant

Sustainability Data

GXY970



Cradle to Gate A1-A3	Total CO ₂ emission	CO ₂ e/kg	Recycled materials
	kg CO ₂ e	kg CO ₂ e/kg	%
GXY970032-3717	316.71	3.40	20.31

The overall framework applied for these factors is the Environmental Product Declaration (EPD), which quantifies "environmental information on the life cycle of a product and enable comparisons between products fulfilling the same function" (ISO, 2006). This follows the structure and applies a Life-Cycle Assessment approach to the entire Product stage from raw material through manufacturing (A1-A3))

Kompan A/S
 C.F. Tietgens Boulevard 32C
 DK-5220 Odense SØ
 Denmark



Verification of CO₂ calculation of: Challengers & Climbers



Data version no. 2023-10-05

The CO₂ calculation and data are in compliance with the principles of a carbon footprint impact according to the GHG protocol (Greenhouse Gas Protocol), Scope 3, cradle to gate related to all individual components in the product category: "Challengers & Climbers" represented by item no.: BLX410301-3717.

(Scope 3 emissions include emission sources in the upstream and downstream value chain).

Date: 30. October 2023 | Valid until: 30. October 2025

Verified by:

Julie Marie Vejsgaard Larsen, LCA & EPD Consultant

Verification based on report: Validation of CO₂ calculation of 9 categories of Kompan product line, version 1.0, prepared by: Bureau Veritas HSE, Denmark: Julie M. V. Larsen.

Publication date: 30. October 2023

By Bureau Veritas HSE
 www.bureauveritas.dk
 +45 7731 1000

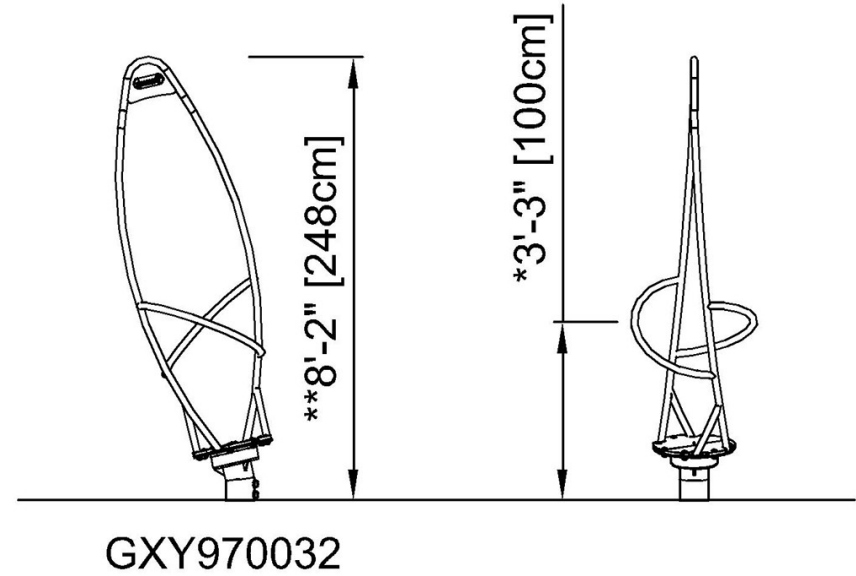
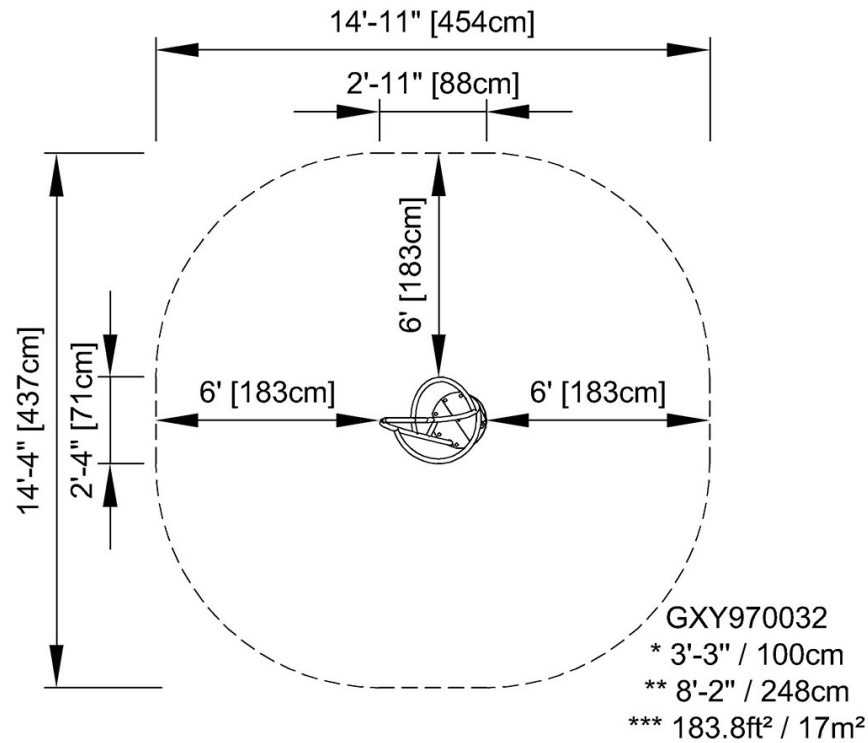


Rocket Roller™

GXY970

* Max fall height | ** Total height | *** Safety surfacing area

* Max fall height | ** Total height



[Click to see TOP VIEW](#)

[Click to see SIDE VIEW](#)