


Embankment Slide

NRO308



Item no. NRO308-0801	
General Product Information	
Dimensions LxWxH	92x261x192 cm
Age group	3+
Play capacity (users)	3
Colour options	



The shiny embankment slide motivates fun play activity for all children and those childish at heart. Due to the embankment slide and run loop, children will run up and slide down again and again. Sliding on the embankment slide is an extra fun experience as friends can run up or down next to the sliding child, or slide side-by-side suitable for different ages and abilities.

The embankment hill is a great place for rolling or running, too. When children slide they train their core muscles, sitting upright or while rolling down. This stimulates their trunk stability, important for avoiding back and neck pains – a growing problem in children due to sedentary lifestyles. Run uphill or downhill they train their balance and coordination as well as

their muscle strength. They train muscle tonus needed and train risk taking in holding back or letting go downhill.



Embankment Slide

NRO308



Slide

Physical: sliding develops spatial awareness and a sense of balance. Furthermore, the core muscles are trained when sitting upright going down. **Social-Emotional:** empathy stimulated by turn-taking. **Cognitive:** young children develop their understanding of space, speed and distances when sliding down quickly.



Embankment Slide

NRO308



All Organic Robinia products by KOMPAN are made of Robinia wood from sustainable European sources. On request it can be supplied as FSC® Certified (FSC® C004450).



The stainless steel slides with one piece slide bed are made of high quality stainless steel AISI 304.



Slide interface panel of 19mm EcoCore™. EcoCore™ is a highly durable, eco-friendly material, which is not only recyclable after use, but is also made of +95% recycled post-consumer material from e.g., food packing waste in both core and colorful outer layer.



The hardware is made of stainless steel or galvanised steel to ensure durable connections with a high corrosion resistance.



The Robinia wood can be supplied as untreated raw wood or painted with a brown coloured transparent pigment that maintains the golden wood colour of the wood.

Item no. NRO308-0801

Installation Information

Max. fall height	100 cm
Safety surfacing area	14.1 m ²
Total installation time	3.8
Excavation volume	0.39 m ³
Concrete volume	0.12 m ³
Footing depth (standard)	82 cm
Shipment weight	222 kg
Anchoring options	In-ground ✓

Warranty Information

EcoCore HDPE	Lifetime
Robinia wood	15 years
Spare parts guaranteed	10 years
Stainless steel components	Lifetime
Stainless steel slide	10 years



Sustainability Data

NRO308



Cradle to Gate A1-A3	Total CO ₂ emission	CO ₂ e/kg	Recycled materials
	kg CO ₂ e	kg CO ₂ e/kg	%
NRO308-0801	178.37	1.31	25.48

The overall framework applied for these factors is the Environmental Product Declaration (EPD), which quantifies "environmental information on the life cycle of a product and enable comparisons between products fulfilling the same function" (ISO, 2006). This follows the structure and applies a Life-Cycle Assessment approach to the entire Product stage from raw material through manufacturing (A1-A3))

Kompan A/S
 C.F. Tietgens Boulevard 32C
 DK-5220 Odense SØ
 Denmark



Verification of CO₂ calculation of: Nature play



Data version no. 2023-10-05

The CO₂ calculation and data are in compliance with the principles of a carbon footprint impact according to the GHG protocol (Greenhouse Gas Protocol), Scope 3, cradle to gate related to all individual components in the product category: "Nature play" represented by item no.: NRO409-0621.

(Scope 3 emissions include emission sources in the upstream and downstream value chain).

Date: 30. October 2023 | Valid until: 30. October 2025

Verified by:

Julie Marie Vejsgaard Larsen, LCA & EPD Consultant

Verification based on report: Validation of CO₂ calculation of 9 categories of Kompan product line, version 1.0, prepared by: Bureau Veritas HSE, Denmark: Julie M. V. Larsen.

Publication date: 30. October 2023

By Bureau Veritas HSE
 www.bureauveritas.dk
 +45 7731 1000

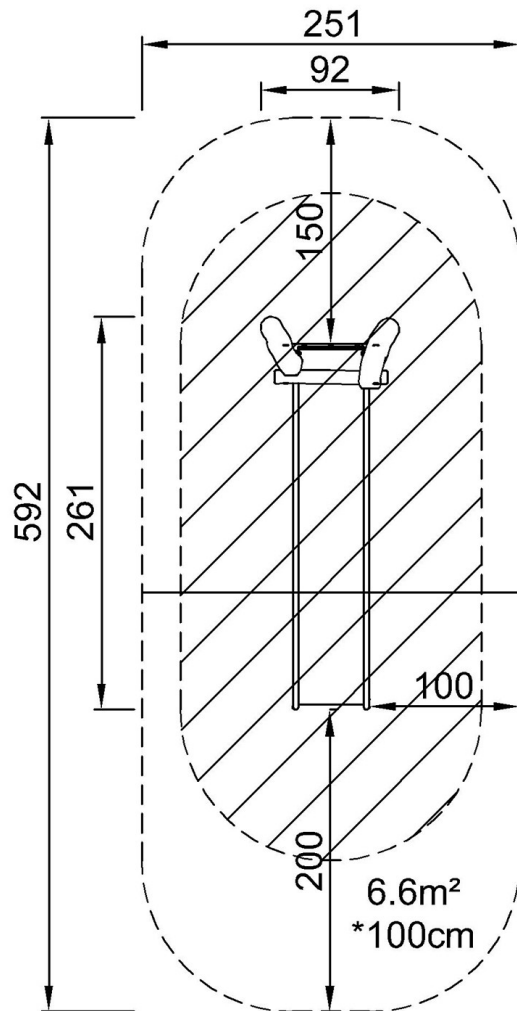


Embankment Slide

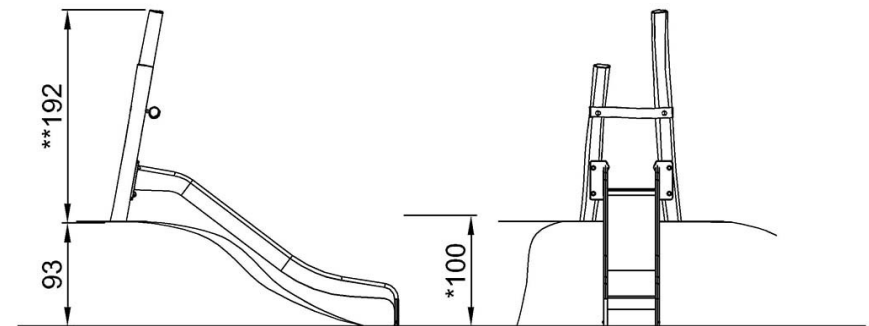
NRO308

* Max fall height | ** Total height | *** Safety surfacing area

* Max fall height | ** Total height



NRO308
*100cm
**192cm
***14.1m²



NRO308

[Click to see TOP VIEW](#)

[Click to see SIDE VIEW](#)