

# Combi 4 with Multi Timer

FSW302

**KOMPAN**  
Let's play



产品编号 FSW30200-0901

## 产品信息概览

长宽高尺寸	416x456x240 cm
适用年龄段	13+
容纳人数	4
颜色选择	



查看 KOMPAN Fit 健身应用程序了解更多信息

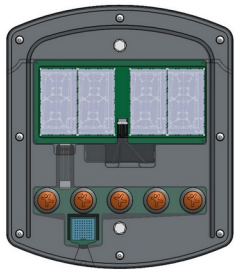
在锻炼时，有一个可靠的方法来记录时间是非常有价值的。时间追踪为锻炼增添了条理性和可衡量性，这不仅能极大地激励锻炼者，还能促进活动的持续改进，从而最终实现目标。多功能计时器在锻炼时很容易看到，它会发出听觉和视觉信号，清楚地指示何时开始和停止活动。计时器有 5 种功能 1. 秒表 2. Tabata Timer (20/10 秒) 3 Interval Timer (30/10 秒) 4. HIIT

(40/20 秒) 5. EMOM (60 秒)

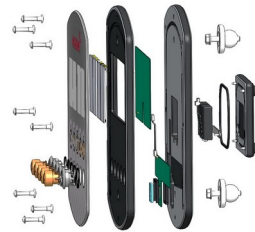


# Combi 4 with Multi Timer

FSW302



The reflective LCD display has four digits of 100mm height, with excellent outdoor visibility and a wide viewing angle. An LCD display has a low energy consumption, It is powered by 8 replaceable AA batteries with a lifespan of more than 2 years.



Front panels are made of UV-stabilized Polycarbonate. The UV-stabilization prevents the Transparent panels in being yellow over time and ensures the mechanical performances. The graphic prints are added by a unique multi-layer print process where the inner layer is the image and outer transparent layer functions as protection. The lacquer is water-based, and UV stabilized to prevent fading.



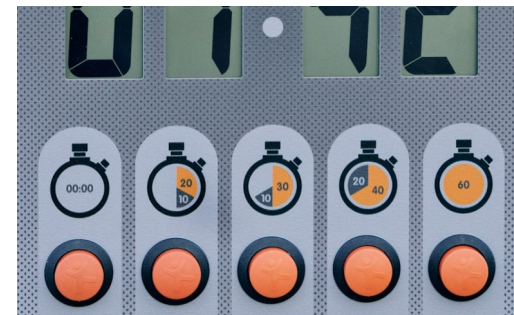
The push buttons and the housing for the push buttons are made from Polyamide (PA6). The buttons contain a magnet which activates a contactless reed switch when the buttons are pushed. This ensures high durability of the system.



The connectors are made of die-cast aluminum specially alloyed for outdoor environments and with a lead content below 100ppm. The connectors are attached to the posts by stainless steel screws and well protected against corrosion by special designed zinc washers. Extremely strong and no change of corrosion.



Steel posts are made of Ø101,6 x 2,0mm pre-galvanized steel tube. The posts are powder coated. Tops of posts are sealed with plastic caps (PA6). Footings for surface installation are manufactured from Carbon steel with hot-dip galvanized surface according to ISO1461.



There are 5 timer functions 1. Stopwatch 2. Tabata Timer (20/10 sec) 3. Interval Timer (30/10 sec) 4. HIIT (40/20 sec) 5. EMOM (60 sec)

产品编号 FSW30200-0901	
安装信息	
最大跌落高度	233 cm
安全面积	42.4 m <sup>2</sup>
安装总时长	9.0
开挖量	0.40 m <sup>3</sup>
混凝土使用量	0.12 m <sup>3</sup>
标准入地深度	90 cm
运输重量	380 kg
固定选项	入地 ✓ 地表 ✓
质保信息	
铝夹	10 年
涂层钢制零件	10 年
EcoCore HDPE	终身质保
电子部件	2 年
承保零部件	10 年



# Sustainability Data

FSW302



## 从原材料到成品

CO<sub>2</sub> 排放总量

kg CO<sub>2</sub>e

CO<sub>2</sub> 排放量 / 千克

kg CO<sub>2</sub>e/kg

回收的原料

%

FSW30200-0901

824.89

3.46

46.83

这些因素采用的总体框架为环保产品声明 (EPD), 该声明可量化“产品生命周期的环保信息, 并对相同功能的产品进行对比”(ISO, 2006)。在遵循该框架的同时, 对从原材料到制造的整个产品阶段 (A1-A3) 应用生命周期评估法。

## Kompan A/S

C.F. Tietgens Boulevard 32C  
DK-5220 Odense SØ  
Denmark



## Verification of CO<sub>2</sub> calculation of: Fitness



Data version no. 2023-10-05

The CO<sub>2</sub> calculation and data are in compliance with the principles of a carbon footprint impact according to the GHG protocol (Greenhouse Gas Protocol), Scope 3, cradle to gate related to all individual components in the product category: "Fitness" represented by item no.: FAZ10100-0900.

(Scope 3 emissions include emission sources in the upstream and downstream value chain).

**Date: 30. October 2023 | Valid until: 30. October 2025**

Verified by:

Julie Marie Vejsgaard Larsen, LCA & EPD Consultant

Verification based on report: Validation of CO<sub>2</sub> calculation of 9 categories of Kompan product line, version 1.0, prepared by: Bureau Veritas HSE, Denmark: Julie M. V. Larsen.

**Publication date: 30. October 2023**

By Bureau Veritas HSE  
www.bureauveritas.dk  
+45 7731 1000

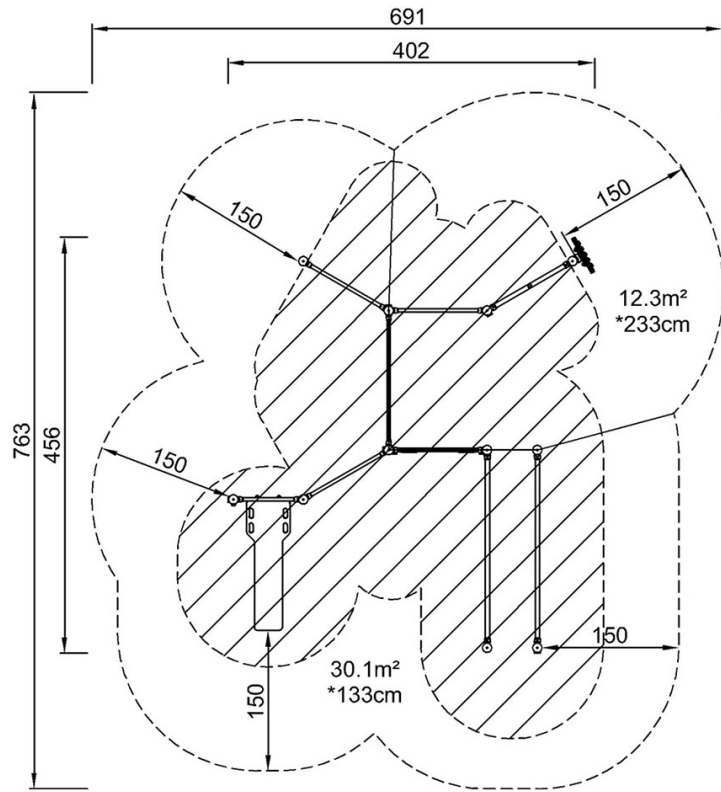


# Combi 4 with Multi Timer

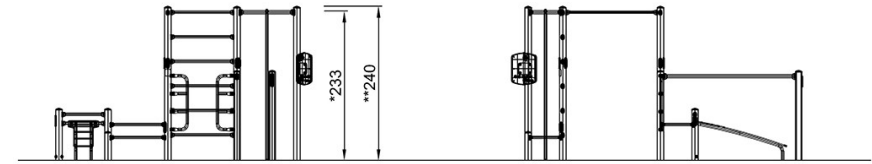
FSW302

最大跌落高度 | 总高度 | 安全区域

最大跌落高度 | 总高度



FSW30200  
\*233cm  
\*\*240cm  
\*\*\*42.4m<sup>2</sup>



FSW30200

[点击查看俯视图](#)

[点击查看侧面图](#)