


Forest Cottage

NRO408



Item no. NRO408-0621	
General Product Information	
Dimensions LxWxH	262x189x292 cm
Age group	2+
Play capacity (users)	8
Colour options	



The Robinia forest cottage is a fun and popular play house for young children. It is bright, engaging, colourful and unique with its fantastic curved roof. It is a social meeting point, and a classic in a modern playground. The natural Robinia timber provides an organic structure, that can either blend into or stand out from your surrounds. Children can touch and feel the

timber, observing how nature inspiration interacts with the built environment

Forest Cottage

NRO408



Slope

Physical: inclined crawling or walking up or down develops the sense of balance and cross coordination. **Social-Emotional:** the inclination makes climbing feel secure, especially for younger children.



Stairs

Physical: cross coordination is used, supporting the cooperation of the left and right halves of the brain, which. For young children.



Window

Social-Emotional: invites interaction between sides and cooperative play.



Supportive handholds

Physical: handhold provides good grip for less confident climbers. Trains upper body muscles. **Social-Emotional:** allows for a range of physical abilities to enter independently and securely, play for all.



Theme

Cognitive: suggests a theme and supports dramatic play, which stimulates language and communication skills.



Bench

Social-Emotional: invites socializing and cooperation. Allows for a break with friends.

Forest Cottage

NRO408



All organic Robinia products by KOMPAN are made of Robinia wood which is sourced from sustainable plantation farms. On request it can be supplied as FSC® Certified (FSC® C004450).

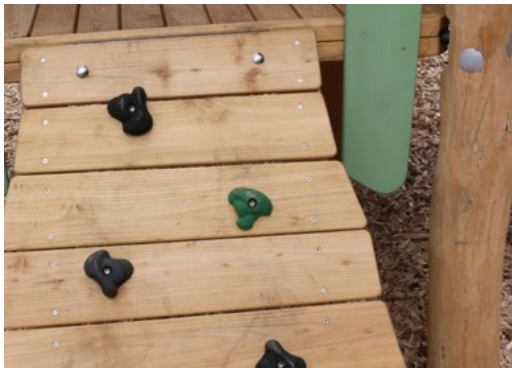


The paint used for coloured components is water based, which is environmentally friendly and has excellent UV resistance. The paint complies with Australian Standards.



The Robinia products come in a number of standard colour options. The wood can also be supplied as untreated or with brown painted with a pigment that maintains the wood colour.

Item no. NRO408-0621	
Installation Information	
Max. fall height	48 cm
Safety surfacing area	22.8 m ²
Total installation time	13.7
Excavation volume	0.46 m ³
Concrete volume	0.00 m ³
Footing depth (standard)	60 cm
Shipment weight	843 kg
Anchoring options	In-ground ✓ Surface ✓
Warranty Information	
Galvanised Steel	Lifetime
Robinia Wood	15 years
Ropes & Nets	10 years
Spare Parts Guarantee	10 years



The product/activities are preassembled from the factory to ensure all safety requirements are considered.



The hardware is made of stainless steel or galvanised steel to ensure durable connections that has high corrosion resistance.



Sustainability Data

NRO408



Cradle to Gate A1-A3	Total CO ₂ emission	CO ₂ e/kg	Recycled materials
	kg CO ₂ e	kg CO ₂ e/kg	%
NRO408-0621	168.66	0.26	2.14

The overall framework applied for these factors is the Environmental Product Declaration (EPD), which quantifies "environmental information on the life cycle of a product and enable comparisons between products fulfilling the same function" (ISO, 2006). This follows the structure and applies a Life-Cycle Assessment approach to the entire Product stage from raw material through manufacturing (A1-A3))

Kompan A/S
 C.F. Tietgens Boulevard 32C
 DK-5220 Odense SØ
 Denmark



Verification of CO₂ calculation of: Nature play



Data version no. 2023-10-05

The CO₂ calculation and data are in compliance with the principles of a carbon footprint impact according to the GHG protocol (Greenhouse Gas Protocol), Scope 3, cradle to gate related to all individual components in the product category: "Nature play" represented by item no.: NRO409-0621.

(Scope 3 emissions include emission sources in the upstream and downstream value chain).

Date: 30. October 2023 | Valid until: 30. October 2025

Verified by:

Julie Marie Vejsgaard Larsen, LCA & EPD Consultant

Verification based on report: Validation of CO₂ calculation of 9 categories of Kompan product line, version 1.0, prepared by: Bureau Veritas HSE, Denmark: Julie M. V. Larsen.

Publication date: 30. October 2023

By Bureau Veritas HSE
 www.bureauveritas.dk
 +45 7731 1000

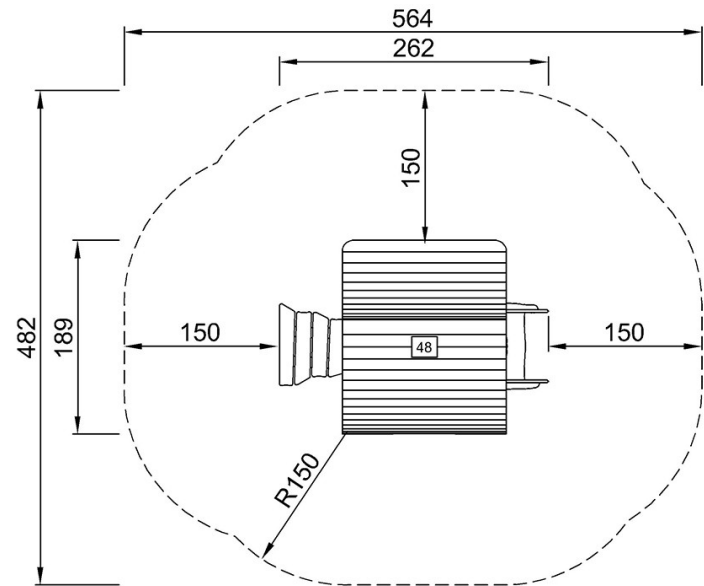


Forest Cottage

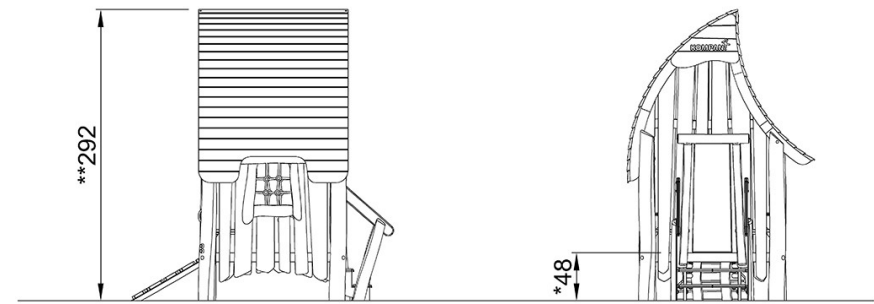
NRO408

* Max fall height | ** Total height | *** Safety surfacing area

* Max fall height | ** Total height



NRO408-xx21
*48cm
**292cm
***22.8m²



NRO408

[Click to see TOP VIEW](#)

[Click to see SIDE VIEW](#)