

# Theatre Stage

NRO604



Item no. NRO604-0621

## General Product Information

Dimensions LxWxH	277x147x168 cm
Age group	1+
Play capacity (users)	6
Color options	



The Robinia Theatre Stage holds an eternal attraction to children: they love to perform and meet. With its red curtain detail and megaphone, the stage will repeatedly be used by the children in dramatic and social play scenarios. Performing on the Robinia stage trains important life skills such as self-awareness, self-control and cooperation. The

dramatic play is a favorite play type of preschoolers, and stimulates language development. The elevated platform of the stage invites socializing and is used as a place for a break, too. Children also use the stage for jumping on and off, building bone density and muscle strength as they do so. The curtains are made from tactile, flexible rubber. The

megaphone makes it possible to announce new shows. The distortion of the voice in the megaphone additionally trains the child's understanding of cause-and-effect.

# Theatre Stage

NRO604



## Megaphone

**Social-Emotional:** inspires communication and turn-taking skills. **Cognitive:** distortion of sound evokes curiosity and stimulates an understanding of cause and effect.



## Low curtains

**Physical:** tactile stimulation supports sensory skills, when children explore the characteristics (e.g. hardness, weight) of the materials. **Social-Emotional:** invites parallel play, having two similar curtains.



## Stage

**Physical:** jumping on and off stage trains muscles and builds bone density. **Social-Emotional:** the spacious platform invites meetings and cooperation. **Cognitive:** the stage setting invites dramatic play and performance, which stimulates language development.

# Theatre Stage

NRO604



All Organic Robinia products by KOMPAN are made of Robinia wood from sustainable European sources. On request it can be supplied as FSC® Certified (FSC® C004450).



The paint used for coloured components is water based environmental friendly with excellent UV resistance. The paint is in compliance with EN 71 Part 3.



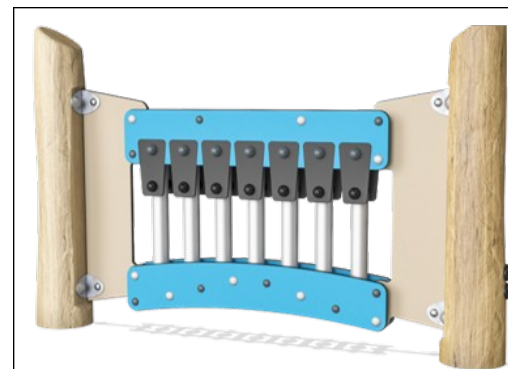
Play activities in very strong materials: HDPE-plate with HDPE-clock and hands in conveyer belt rubber, bell in pressed aluminium. Mirror in plexi-glass with a high impact resistant.



All rubber activities/components are made of conveyer belt rubber that makes it extremely weather resistant and long lasting.



The percussion panel consist of 2 Conga Drums with PP tubes and top in coloured ABS. Babel drum in stainless steel 316L.



The Xylofon music panel consist of HDPE - material in 19mm EcoCore™. EcoCore™ is a highly durable, ecofriendly material. The pipes are made of die-cast aluminium specifically alloyed for outdoor environments.

Item no. NRO604-0621

### Installation Information

Max. fall height	0 cm
Safety surfacing area	23.5 m <sup>2</sup>
Total installation time	7.8
Excavation volume	0.45 m <sup>3</sup>
Concrete volume	0.00 m <sup>3</sup>
Footing depth (standard)	60 cm
Shipment weight	348 kg
Anchoring options	In-ground ✓

### Warranty Information

Robinia wood	15 years
Spare parts guaranteed	10 years
Stainless steel components	Lifetime
Stainless steel components	Lifetime



# Sustainability Data

NRO604



Cradle to Gate A1-A3	Total CO <sub>2</sub> emission	CO <sub>2</sub> e/kg	Recycled materials
	kg CO <sub>2</sub> e	kg CO <sub>2</sub> e/kg	%
NRO604-0621	71.30	0.26	2.39

The overall framework applied for these factors is the Environmental Product Declaration (EPD), which quantifies "environmental information on the life cycle of a product and enable comparisons between products fulfilling the same function" (ISO, 2006). This follows the structure and applies a Life-Cycle Assessment approach to the entire Product stage from raw material through manufacturing (A1-A3))

**Kompan A/S**  
 C.F. Tietgens Boulevard 32C  
 DK-5220 Odense SØ  
 Denmark



## Verification of CO<sub>2</sub> calculation of: Nature play



Data version no. 2023-10-05

The CO<sub>2</sub> calculation and data are in compliance with the principles of a carbon footprint impact according to the GHG protocol (Greenhouse Gas Protocol), Scope 3, cradle to gate related to all individual components in the product category: "Nature play" represented by item no.: NRO409-0621.

(Scope 3 emissions include emission sources in the upstream and downstream value chain).

**Date: 30. October 2023 | Valid until: 30. October 2025**

**Verified by:**

Julie Marie Vejsgaard Larsen, LCA & EPD Consultant

Verification based on report: Validation of CO<sub>2</sub> calculation of 9 categories of Kompan product line, version 1.0, prepared by: Bureau Veritas HSE, Denmark: Julie M. V. Larsen.

**Publication date: 30. October 2023**

**By Bureau Veritas HSE**  
 www.bureauveritas.dk  
 +45 7731 1000

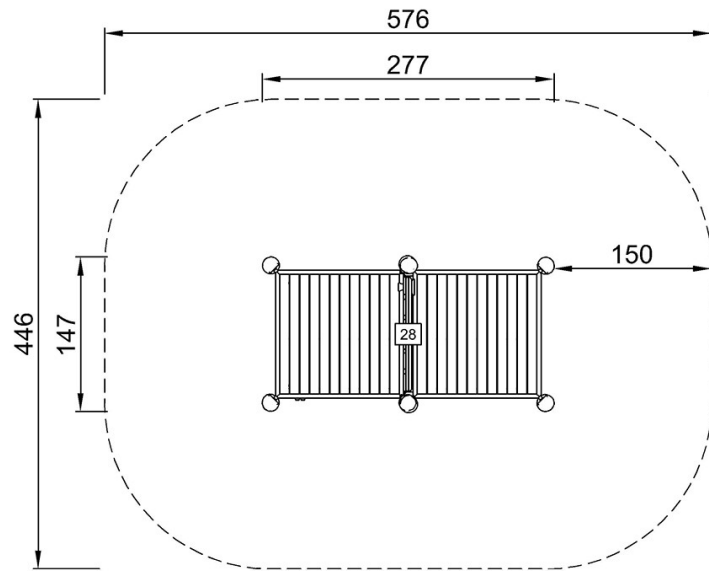


# Theatre Stage

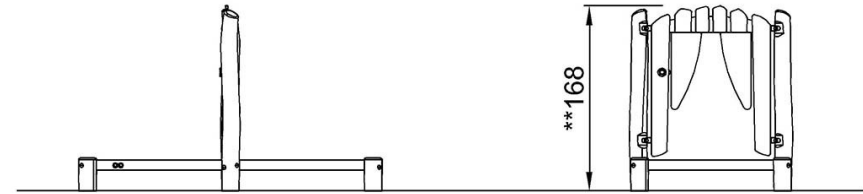
NRO604

\* Max fall height | \*\* Total height | \*\*\* Safety surfacing area

\* Max fall height | \*\* Total height



NRO604  
\*\*168cm  
\*\*\*23.5m<sup>2</sup>



NRO604

[Click to see TOP VIEW](#)

[Click to see SIDE VIEW](#)