

Basketball goal

FRE3027



Item no. FRE3027-3717

General Product Information

Dimensions LxWxH	250x142x368 cm
Age group	3+
Play capacity (users)	-
Colour options	



A basketball goal can be used by only one person, two or a whole group simultaneously. Here everyone can join in and it's easy to walk to and from the game. The basketball hoop is placed at the official NBA height of 305 cm, and has the official NBA size of 46 cm in diameter.

Basketball goal

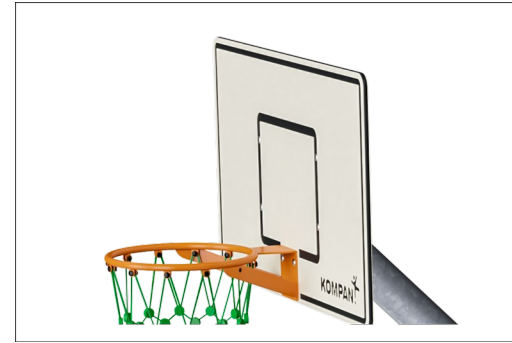
FRE3027



The steel surfaces are hot dip galvanised inside and outside with lead free zinc. The galvanisation has excellent corrosion resistance in outside environments and requires low maintenance.



The basketball hoop is made from hot dipped galvanized steel with a powder coated finish. The net is made from KOMPAN Ø5 PA Rope reinforced with steel wire. The net has a circumference of ~Ø30cm at the bottom and ~Ø50cm at the top.



Panels of 19mm EcoCore™ HDPE. EcoCore™ is a highly durable, eco friendly material, which is not only recyclable after use, but also consists of material produced from +95% recycled post consumer material from food packing waste.

Item no. FRE3027-3717

Installation Information

Max. fall height	0 cm
Safety surfacing area	0.0 m ²
Total installation time	2.9
Excavation volume	0.32 m ³
Concrete volume	0.31 m ³
Footing depth (standard)	90 cm
Shipment weight	129 kg
Anchoring options	In-ground ✓ Surface ✓

Warranty Information

EcoCore HDPE	Lifetime
HDG post	Lifetime
Spare parts guaranteed	10 years

Sustainability Data

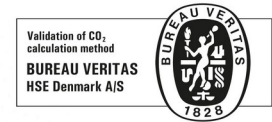
FRE3027



Cradle to Gate A1-A3	Total CO ₂ emission	CO ₂ e/kg	Recycled materials
	kg CO ₂ e	kg CO ₂ e/kg	%
FRE3027-3717	275.93	2.25	57.26

The overall framework applied for these factors is the Environmental Product Declaration (EPD), which quantifies "environmental information on the life cycle of a product and enable comparisons between products fulfilling the same function" (ISO, 2006). This follows the structure and applies a Life-Cycle Assessment approach to the entire Product stage from raw material through manufacturing (A1-A3))

Kompan A/S
 C.F. Tietgens Boulevard 32C
 DK-5220 Odense SØ
 Denmark



Verification of CO₂ calculation of: Sport



Data version no. 2023-10-05

The CO₂ calculation and data are in compliance with the principles of a carbon footprint impact according to the GHG protocol (Greenhouse Gas Protocol), Scope 3, cradle to gate related to all individual components in the product category: "Sport" represented by item no.: FRE600202-0901.

(Scope 3 emissions include emission sources in the upstream and downstream value chain).

Date: 30. October 2023 | Valid until: 30. October 2025

Verified by:

Julie Marie Vejsgaard Larsen, LCA & EPD Consultant

Verification based on report: Validation of CO₂ calculation of 9 categories of Kompan product line, version 1.0, prepared by: Bureau Veritas HSE, Denmark: Julie M. V. Larsen.

Publication date: 30. October 2023

By Bureau Veritas HSE
 www.bureauveritas.dk
 +45 7731 1000

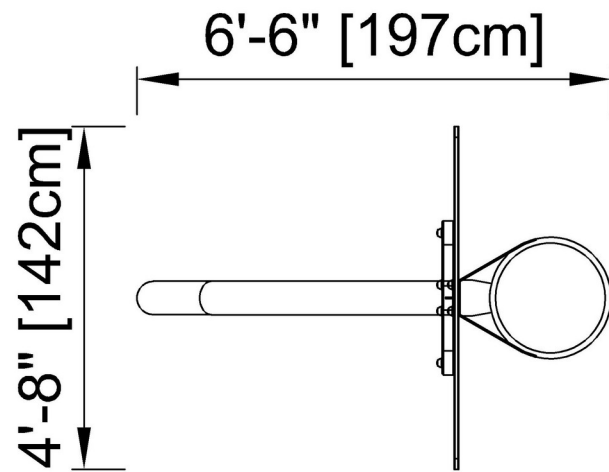


Basketball goal

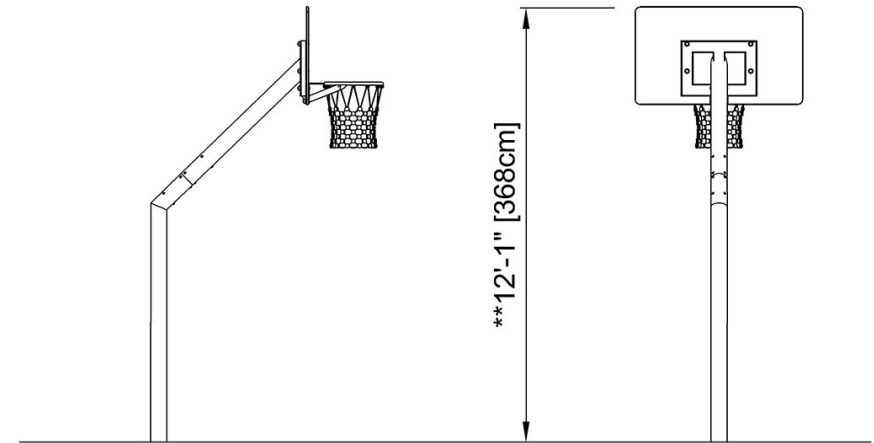
FRE3027

* Max fall height | ** Total height | *** Safety surfacing area

* Max fall height | ** Total height



FRE3027
****12'-1" / 368cm**



FRE3027

[Click to see TOP VIEW](#)

[Click to see SIDE VIEW](#)