

Play Tower with Climbing Net

KPL1014

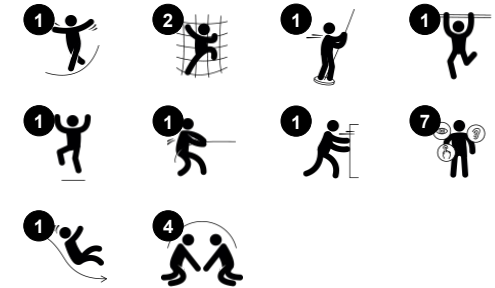
KOMPAN
Let's play



Item no. KPL101411-0901

General Product Information

Dimensions LxWxH	323x334x232 cm
Age group	2+
Play capacity (users)	9
Colour options	



The Play Tower With Climbing Net sustains play with opportunities for children to move their bodies by climbing, stretching, and sliding. The structure motivates children by providing variety and graduated challenges in climbing and navigating the tower and net. Climbing strengthens muscles and helps to develop cross-coordination skills. This enhances a

child's ability to use both sides of their brain and supports the internal structures that enable reading and thinking. On the platform, a view of the playground from up high adds a feeling of breathtaking height. Sliding is immensely thrilling. It also supports posture and balance, important skills for young children as they grow. They are the basis for all other physical skills

and help to build up the confidence to navigate the world securely. With lots of activities embedded in the structure, children will play for a long time, enhancing their health and well-being.

Play Tower with Climbing Net

KPL1014



Rock climber

Physical: supports cross coordination and leg, arm and hand strength. **Social-Emotional:** the inclination makes climbing feel secure, especially for younger children.



Slide

Physical: develops spatial awareness, sense of balance and trains core muscles when sitting upright going down. **Social-Emotional:** empathy stimulated by turn-taking. **Cognitive:** young children develop their understanding of space, speed and distances when sliding down.



Fireman's pole

Physical: supports coordination, arm and core muscles. Landing strengthens bone density. **Social-Emotional:** turn-taking and risk-taking. **Cognitive:** young children develop their understanding of space, speed and distances when gliding down fast.



Climbing net

Physical: children develop cross-body coordination and muscle strength when climbing. The big mesh supports proprioception and spatial awareness. **Social-Emotional:** the big meshes allow for more children to sit together and talk.



Somersault bar

Physical: develop balance, spatial awareness, core, arm and leg muscles, when climbing up and hanging. **Social-Emotional:** meeting, socialising and turn-taking when climbing up and down via bar.

Play Tower with Climbing Net

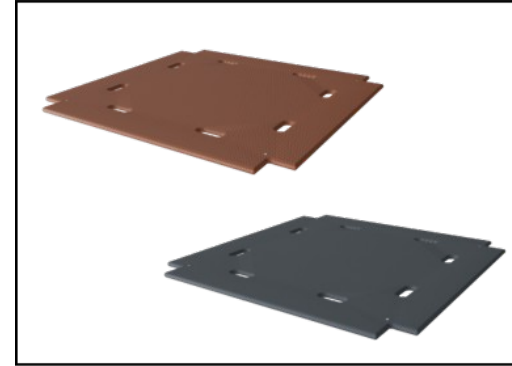
KPL1014



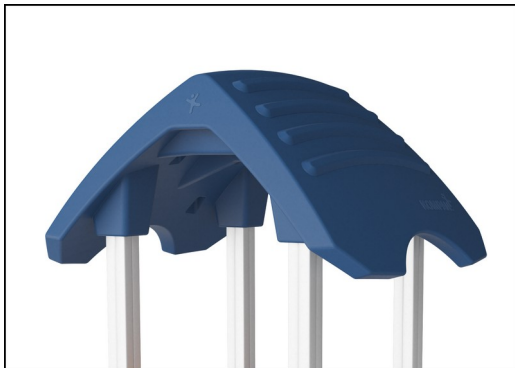
Panels of 19mm EcoCore™. EcoCore™ is a highly durable, eco-friendly material, which is not only recyclable after use but also consists of a core produced from 100% recycled material.



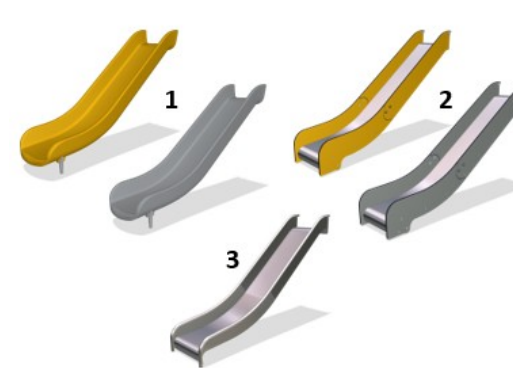
Options available for the main tower posts consist of either pine wood or aluminium which both come equipped with hot-dip galvanised steel footings. The steel footings elevate the posts 20mm from ground level to avoid contact with surfacing material.



Floors and panel activities are manufactured from high-pressure laminate HPL with a thickness 17.8mm and non-skid surface texture.



The large hollow components are made of 100% recyclable PE. The roof displayed is moulded in one piece with minimum 5,5mm wall thickness to ensure high durability in all climates around the world.



Slides are available in three different materials: moulded on piece PE slides, combined EcoCore™ sides and stainless steel slide bed t=2mm. Full stainless steel AISI304 t=2mm.



Climbing nets are made of UV-stabilised PP rope with inner steel cable reinforcement. The rope is induction treated to obtain maximum fixation between steel and rope, which provides excellent wear and tear resistance. All rope connectors are made of 100% recyclable PA material.

Item no. KPL101411-0901

Installation Information

Max. fall height	118 cm
Safety surfacing area	26.3 m ²
Total installation time	10.3
Excavation volume	1.08 m ³
Concrete volume	0.00 m ³
Footing depth (standard)	90 cm
Shipment weight	221 kg
Anchoring options	In-ground ✓ Surface ✓

Warranty Information

Aluminum	15 years
EcoCore HDPE	Lifetime
Pinewood	10 years
Ropes & Nets	10 years
Spare Parts Guarantee	10 years



Sustainability Data

KPL1014



Cradle to Gate A1-A3	Total CO ₂ emission	CO ₂ e/kg	Recycled materials
	kg CO ₂ e	kg CO ₂ e/kg	%
KPL101411-0901	300.63	1.77	29.64

The overall framework applied for these factors is the Environmental Product Declaration (EPD), which quantifies "environmental information on the life cycle of a product and enable comparisons between products fulfilling the same function" (ISO, 2006). This follows the structure and applies a Life-Cycle Assessment approach to the entire Product stage from raw material through manufacturing (A1-A3))

Kompan A/S
C.F. Tietgens Boulevard 32C
DK-5220 Odense SØ
Denmark



Verification of CO₂ calculation of: Play systems



Data version no. 2023-10-05

The CO₂ calculation and data are in compliance with the principles of a carbon footprint impact according to the GHG protocol (Greenhouse Gas Protocol), Scope 3, cradle to gate related to all individual components in the product category: "Play systems" represented by item no.: PCM200321-0950.

(Scope 3 emissions include emission sources in the upstream and downstream value chain).

Date: 30. October 2023 | Valid until: 30. October 2025

Verified by:

Julie Marie Vejsgaard Larsen, LCA & EPD Consultant

Verification based on report: Validation of CO₂ calculation of 9 categories of Kompan product line, version 1.0, prepared by: Bureau Veritas HSE, Denmark: Julie M. V. Larsen.

Publication date: 30. October 2023

By Bureau Veritas HSE
www.bureauveritas.dk
+45 7731 1000

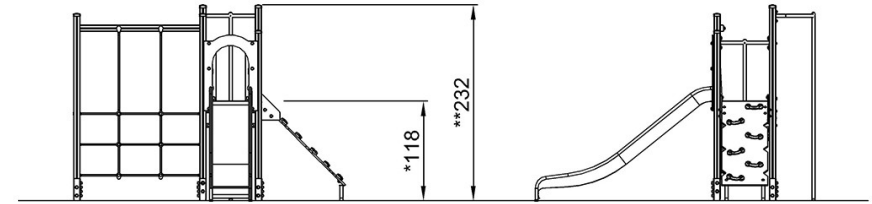
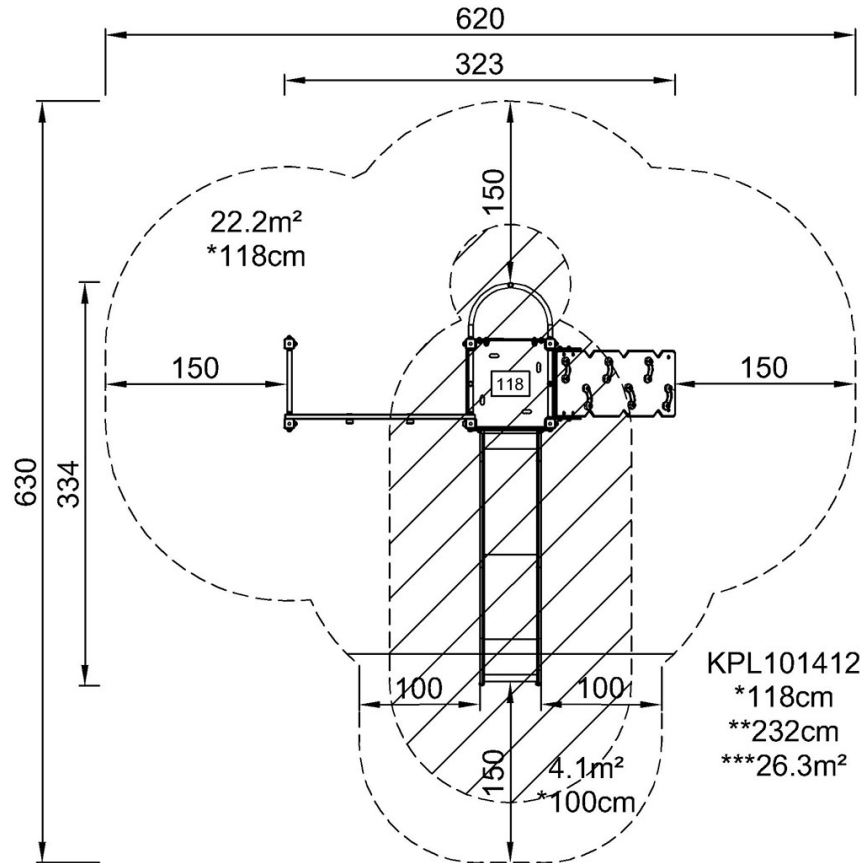


Play Tower with Climbing Net

KPL1014

* Max fall height | ** Total height | *** Safety surfacing area

* Max fall height | ** Total height



KPL101412

[Click to see TOP VIEW](#)

[Click to see SIDE VIEW](#)