

# City Bike Pro


FAZ50100

**KOMPAN**  
Let's play



The City Bike is an adjustable and interactive piece of cardio equipment which is the same quality and as equally effective as what you expect in equipment at an indoor fitness centre. The City bike is all about comfort; the entry is extremely low and the frame provides an upright riding style, the height of the city bike saddle can be adjusted and the seat is wide.

The patented, self-powered resistance units create a real road cycle experience. The resistance can adapt automatically depending on the pedalling speed, or the users can choose to manually change the resistance on the KOMPAN App.

|                                    |   |
|------------------------------------|---|
| Item no. FAZ50100-0801             |   |
| <b>General Product Information</b> |   |
| Dimensions LxWxH                   | 97x51x138 cm  |
| Age group                          | 13+   |
| Play capacity (users)              | 1   |
| Colour options                     |  |



See KOMPAN Fit app for more



# City Bike Pro

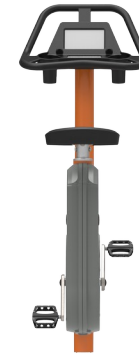
FAZ50100



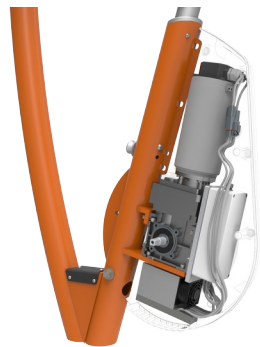
The saddle is made of a Polyurethane Rubber and has a steel insert plate which connects it to the aluminium saddle pin. The saddle can be adjusted to 13 different heights, using a stainless steel pop-pin.



The cover is made of one of the hardest materials in the market, a Lexan Copolymer EXL9330 and has a thickness of 4mm. This cover can withstand any impact and will protect the electronics in the best possible way.



The Q-factor of the bike is 175mm, the crank is made of 18mm stainless steel and connects the pedal arms which are casted stainless steel (grade 304) parts. The length of the pedal arms is 170mm and the pedals are connected with standard bike fittings.



The Innovative self-powered electrical motor and gear providing a virtual flywheel to give real road experience. The resistance works as an automatic drive and adapts automatically to the pedaling speed. The users can overwrite the automatic drive manually by changing the resistance in steps (26 - Watts) through the App.



The handle bars is designed with multiple hand positions to accommodate different postures and riding styles. It is a casted Aluminium part with Polyurea coating for good grip and insulation.



You can connect the cardio machine to your phone or tablet via Bluetooth. This will provide instant feedback on speed, distance, cadence, watts, calories burned and time. You can also use your smart devices to manually adjust resistance (10 levels), have access to instructional and motivational videos, store and share activity data online!

Item no. FAZ50100-0801

### Installation Information

|                          |                          |
|--------------------------|--------------------------|
| Max. fall height         | 100 cm                   |
| Safety surfacing area    | 5.6 m <sup>2</sup>       |
| Total installation time  | 2.4                      |
| Excavation volume        | 0.34 m <sup>3</sup>      |
| Concrete volume          | 0.21 m <sup>3</sup>      |
| Footing depth (standard) | 80 cm                    |
| Shipment weight          | 126 kg                   |
| Anchoring options        | In-ground ✓<br>Surface ✓ |

### Warranty Information

|                        |          |
|------------------------|----------|
| Electronics            | 2 years  |
| Frame                  | 10 years |
| Handle                 | 10 years |
| Saddle                 | 10 years |
| Spare parts guaranteed | 10 years |

**ASTM  
F3101**  
compliant



# Sustainability Data

FAZ50100



| Cradle to Gate A1-A3 | Total CO <sub>2</sub> emission | CO <sub>2</sub> e/kg    | Recycled materials |
|----------------------|--------------------------------|-------------------------|--------------------|
|                      | kg CO <sub>2</sub> e           | kg CO <sub>2</sub> e/kg | %                  |
| FAZ50100-0801        | 326.31                         | 4.38                    | 35.54              |

The overall framework applied for these factors is the Environmental Product Declaration (EPD), which quantifies "environmental information on the life cycle of a product and enable comparisons between products fulfilling the same function" (ISO, 2006). This follows the structure and applies a Life-Cycle Assessment approach to the entire Product stage from raw material through manufacturing (A1-A3))

**Kompan A/S**  
 C.F. Tietgens Boulevard 32C  
 DK-5220 Odense SØ  
 Denmark



## Verification of CO<sub>2</sub> calculation of: Fitness



Data version no. 2023-10-05

The CO<sub>2</sub> calculation and data are in compliance with the principles of a carbon footprint impact according to the GHG protocol (Greenhouse Gas Protocol), Scope 3, cradle to gate related to all individual components in the product category: "Fitness" represented by item no.: FAZ10100-0900.

(Scope 3 emissions include emission sources in the upstream and downstream value chain).

**Date: 30. October 2023 | Valid until: 30. October 2025**

Verified by:

Julie Marie Vejsgaard Larsen, LCA & EPD Consultant

Verification based on report: Validation of CO<sub>2</sub> calculation of 9 categories of Kompan product line, version 1.0, prepared by: Bureau Veritas HSE, Denmark: Julie M. V. Larsen.

**Publication date: 30. October 2023**

By Bureau Veritas HSE  
 www.bureauveritas.dk  
 +45 7731 1000

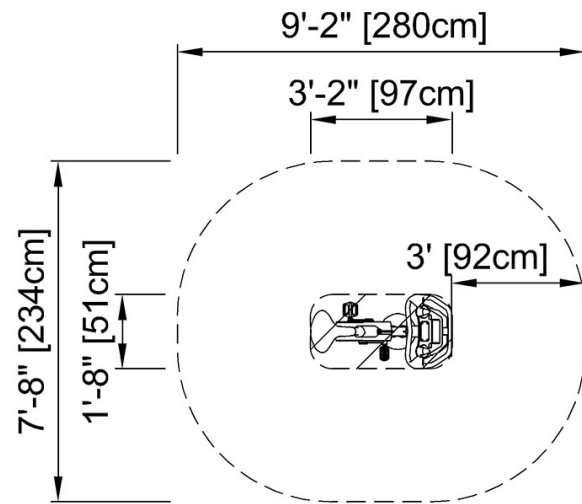


# City Bike Pro

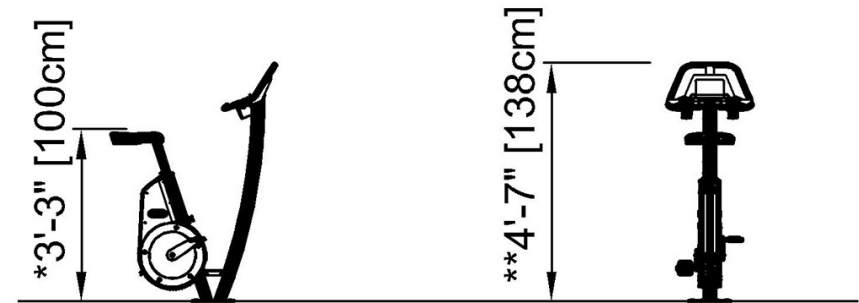
FAZ50100

\* Max fall height | \*\* Total height | \*\*\* Safety surfacing area

\* Max fall height | \*\* Total height



FAZ50100  
\* 3'-3" / 100cm  
\*\* 4'-6" / 138cm  
\*\*\* 60ft<sup>2</sup> / 5.6m<sup>2</sup>



FAZ50100

[Click to see TOP VIEW](#)

[Click to see SIDE VIEW](#)