

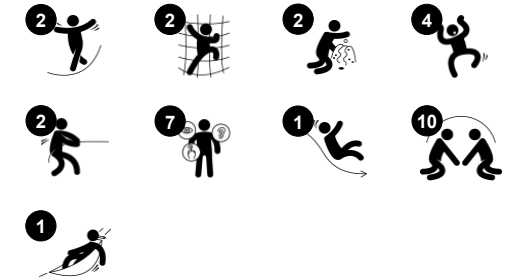
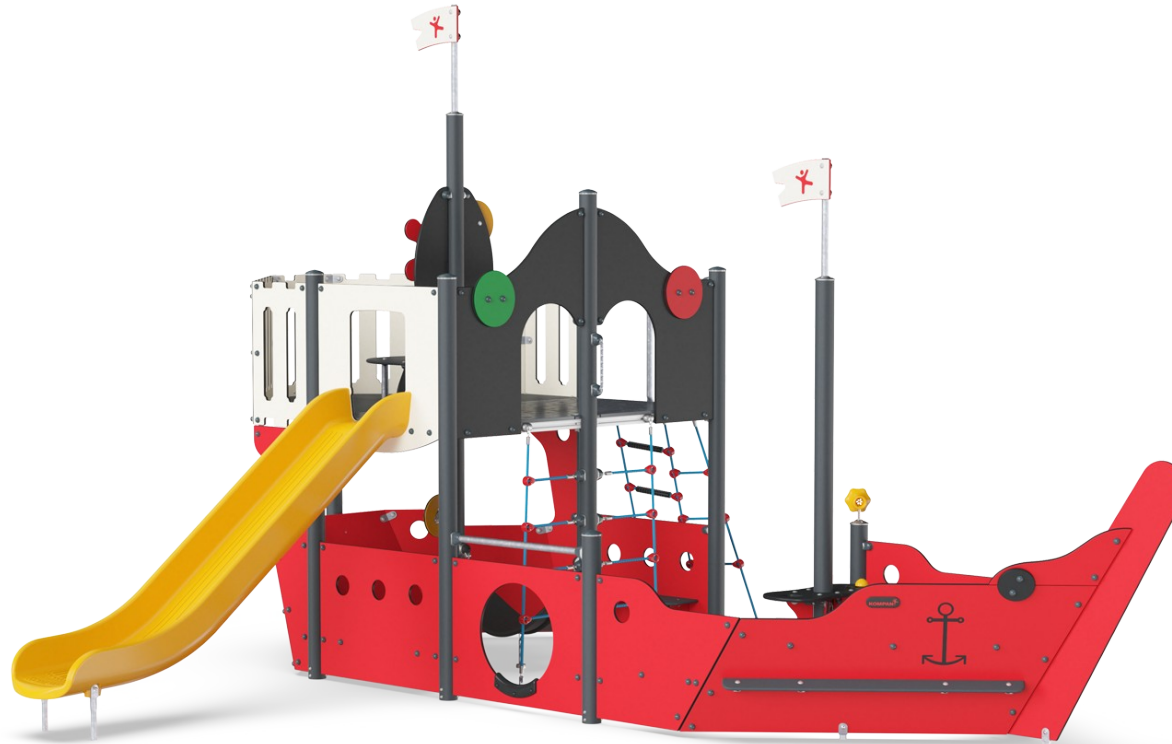
Pirate Ship

PCM103221

Item no. PCM103221-0901

General Product Information

Dimensions LxWxH	646x508x382 cm
Age group	2+
Play capacity (users)	24
Color options	



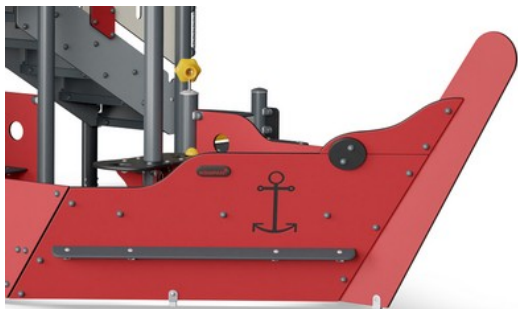
The KOMPAN Pirate Ship inspires and attracts play in today's children as well as in yesterday's. The clear colors, round shapes and strong theme motivate dramatic play on end, again and again, year after year. The unit forms a whole playground with its diverse play activities. The open space behind the keel has benches for socializing. So has the cabin under

deck for swaying gently, training the sense of balance and space and training turn-taking skills. An embarkment net leads to the deck, and so does an accessible stairway. Users of all abilities can be involved in play, thanks to the open, transparent design. The many sensory, moveable activities add to dramatic play, thus stimulating language and

communication skills. The slide, apart from being fun, stimulates the sense of balance and tickles the stomach.

Pirate Ship

PCM103221



Panels of 19mm EcoCore™. EcoCore™ is a highly durable, eco friendly material, which is not only recyclable after use, but also consists of material produced from +95% recycled post consumer material from food packing waste.



All decks are supported by unique designed low-carbon aluminum profiles with multiple attachment options. The grey colored molded decks are made of 75% post-consumer waste PP material with a non-skid pattern and texture surface.

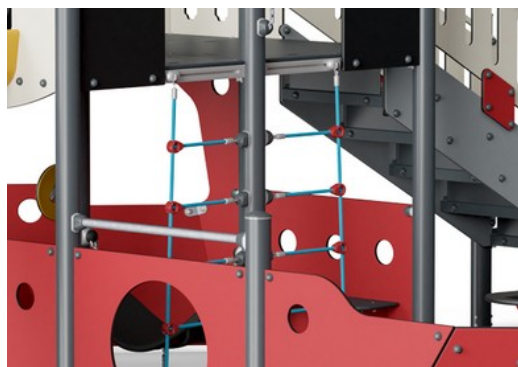


The steel surfaces are hot dip galvanized inside and outside with lead free zinc. The galvanisation has excellent corrosion resistance in outside environments and requires low maintenance.

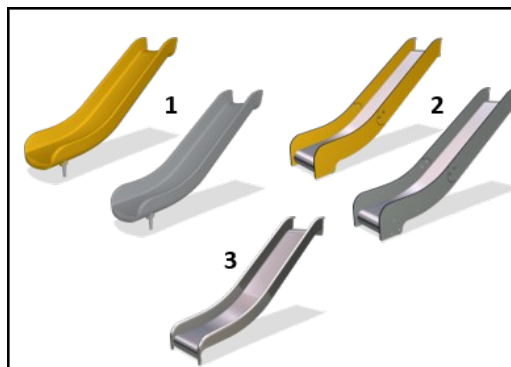
Item no. PCM103221-0901

Installation Information

Max. fall height	148 cm
Safety surfacing area	49.4 m ²
Total installation time	29.4
Excavation volume	1.17 m ³
Concrete volume	0.04 m ³
Footing depth (standard)	90 cm
Shipment weight	957 kg
Anchoring options	In-ground ✓ Surface ✓



Ropes of UV-stabilized PES rope strands with inner steel cable reinforcement. The polyester yarn is made from +95% post-consumer materials and is inductively melted onto each strand.



Slides are available in three different materials: moulded on piece PE slides, Combined EcoCore™ sides and stainless steel slide bed t=2mm. Full stainless steel AISI304 t=2mm.

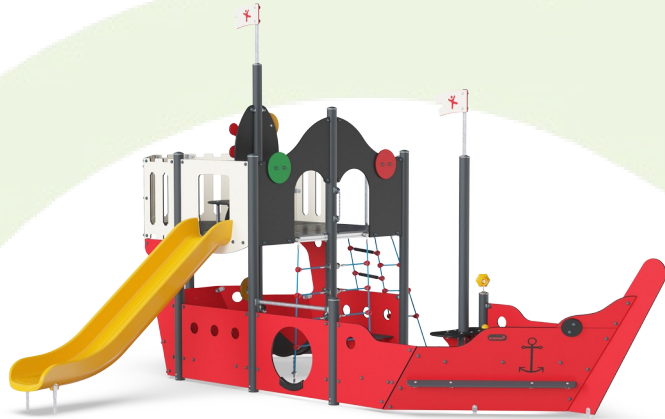


The Pirate ship is available in three different colour combinations. The classic red colour, ocean blue or nature green. Visit KOMPAN.com for detailed information.



Sustainability Data

PCM103221



Cradle to Gate A1-A3	Total CO ₂ emission	CO ₂ e/kg	Recycled materials
	kg CO ₂ e	kg CO ₂ e/kg	%
PCM103221-0901	1,488.60	2.15	56.90

The overall framework applied for these factors is the Environmental Product Declaration (EPD), which quantifies "environmental information on the life cycle of a product and enable comparisons between products fulfilling the same function" (ISO, 2006). This follows the structure and applies a Life-Cycle Assessment approach to the entire Product stage from raw material through manufacturing (A1-A3))

Kompan A/S
 C.F. Tietgens Boulevard 32C
 DK-5220 Odense SØ
 Denmark



Verification of CO₂ calculation of: Play systems



Data version no. 2023-10-05

The CO₂ calculation and data are in compliance with the principles of a carbon footprint impact according to the GHG protocol (Greenhouse Gas Protocol), Scope 3, cradle to gate related to all individual components in the product category: "Play systems" represented by item no.: PCM200321-0950.

(Scope 3 emissions include emission sources in the upstream and downstream value chain).

Date: 30. October 2023 | Valid until: 30. October 2025

Verified by:

Julie Marie Vejsgaard Larsen, LCA & EPD Consultant

Verification based on report: Validation of CO₂ calculation of 9 categories of Kompan product line, version 1.0, prepared by: Bureau Veritas HSE, Denmark: Julie M. V. Larsen.

Publication date: 30. October 2023

By Bureau Veritas HSE
 www.bureauveritas.dk
 +45 7731 1000

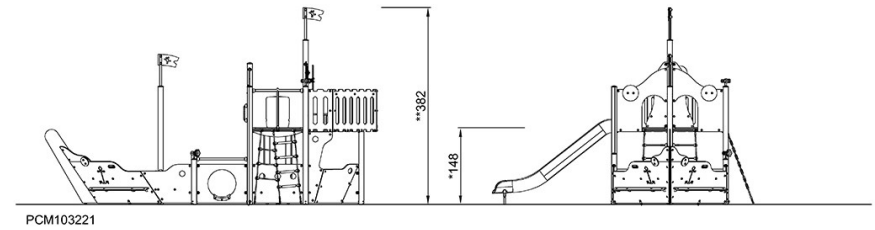
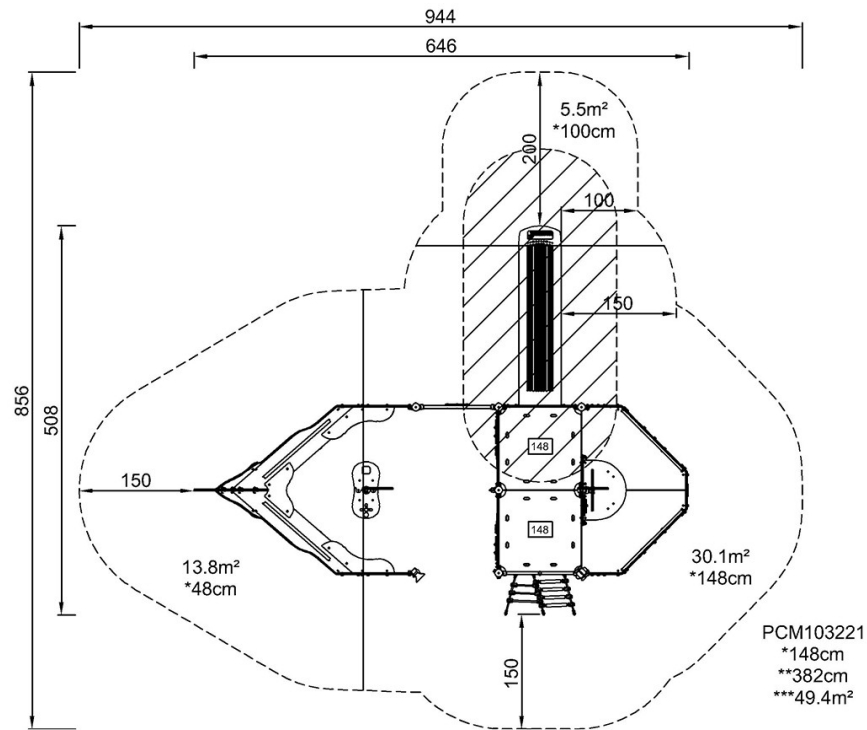


Pirate Ship

PCM103221

* Max fall height | ** Total height | *** Safety surfacing area

* Max fall height | ** Total height



[Click to see TOP VIEW](#)

[Click to see SIDE VIEW](#)