


Town House with Cafe

PCM52321



Item no. PCM52321-0901	
General Product Information	
Dimensions LxWxH	502x290x363 cm
Age group	2+
Play capacity (users)	19
Colour options	



The countless play activities of the Town House with Cafe inspire children to play, move and imagine together, for long, again and again. The socialise-and explore play features on ground level, with table and bench as well as a wealth of tactile moving play details, offer countless dramatic play scenarios. The play features connect children in play under, around

and on the play unit. The elevated level of the platform gives a good view from above and the high slide is an attractive and stomach tickling experience. Sliding additionally trains the children's spatial awareness, their sense of balance and their core stability. These are important fundamentals in movement confidence. Thus, the Town House with cafe offers

physical, social-emotional and cognitive-creative play benefits in one wildly attractive play unit that children will want to visit again and again.



Town House with Cafe

PCM52321



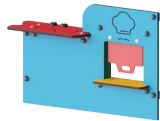
Balcony
Social-Emotional: the balcony invites meetings and interaction with people on ground level.



Theme
Cognitive: suggests a theme and supports dramatic play, which stimulates language and communication skills.



Bench
Social-Emotional: invites socializing and cooperation. Allows for a break with friends.



Oven and hob
Social-Emotional: invites cooperation and communication due to the two-sidedness.
Cognitive: stimulates language and communication skills with its tangible theme.
Creative: children can leave their mark, placing the oven knobs in different positions.



Slide
Physical: sliding develops spatial awareness and a sense of balance. Furthermore, the core muscles are trained when sitting upright going down. **Social-Emotional:** empathy stimulated by turn-taking.



Coffee Maker
Social-Emotional: trains cooperation and turn-taking as children put materials into the coffee funnel. **Cognitive:** passing materials through the funnel and sieve supports children's logical thinking skills. Toddlers train their object permanence understanding: that materials can still exist when out of sight. Themes support dramatic play, which is known to stimulate language skills.



Pipe ladder
Physical: cross coordination and eye-hand coordination are supported when children climb the ladder. The climbing also supports leg and arm muscles. **Social-Emotional:** learning about turn taking and cooperation.

Town House with Cafe

PCM52321



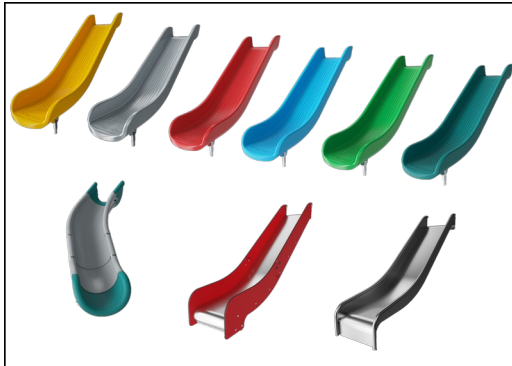
Panels of 19mm EcoCore™. EcoCore™ is a highly durable, eco friendly material, which is not only recyclable after use, but also consists of material produced from +95% recycled post consumer material from food packing waste.



Main posts with hot dip galvanized steel footing are available in different materials: Pre-galvanized inside and outside with powder coated top finish steel posts. Lead free aluminum with color anodized top finish. TexMade posts of 95% post-consumer recycled PE and textile waste.



All decks are supported by unique designed low-carbon aluminum profiles with multiple attachment options. The grey colored molded decks are made of 75% post-consumer waste PP material with a non-skid pattern and texture surface.



The slides can be chosen in six different colours and three materials: Straight or curved one-piece molded PE slides; Combined EcoCore™ and stainless-steel slides; Full stainless steel in one-piece design for a more vandalism proof solution.



KOMPAN GreenLine versions are designed with ultimate environmentally friendly materials with lowest possible CO2e emission factor. TexMade post, EcoCore™ panels of 95% post-consumer recycled waste and molded PP decks.

Item no. PCM52321-0901

Installation Information

Max. fall height	148 cm
Safety surfacing area	33.7 m ²
Total installation time	23.2
Excavation volume	0.40 m ³
Concrete volume	0.00 m ³
Footing depth (standard)	90 cm
Shipment weight	820 kg
Anchoring options	Surface ✓ In-ground ✓

Warranty Information

EcoCore HDPE	Lifetime
Hollow PE parts	10 years
Post	10 years
PP Decks	10 years
Spare parts guaranteed	10 years

Sustainability Data

PCM52321



Cradle to Gate A1-A3	Total CO ₂ emission	CO ₂ e/kg	Recycled materials
	kg CO ₂ e	kg CO ₂ e/kg	%
PCM52321-0901	866.08	1.50	74.37

The overall framework applied for these factors is the Environmental Product Declaration (EPD), which quantifies "environmental information on the life cycle of a product and enable comparisons between products fulfilling the same function" (ISO, 2006). This follows the structure and applies a Life-Cycle Assessment approach to the entire Product stage from raw material through manufacturing (A1-A3))

Kompan A/S
 C.F. Tietgens Boulevard 32C
 DK-5220 Odense SØ
 Denmark



Verification of CO₂ calculation of: Play systems



Data version no. 2023-10-05

The CO₂ calculation and data are in compliance with the principles of a carbon footprint impact according to the GHG protocol (Greenhouse Gas Protocol), Scope 3, cradle to gate related to all individual components in the product category: "Play systems" represented by item no.: PCM200321-0950.

(Scope 3 emissions include emission sources in the upstream and downstream value chain).

Date: 30. October 2023 | Valid until: 30. October 2025

Verified by:

Julie Marie Vejsgaard Larsen, LCA & EPD Consultant

Verification based on report: Validation of CO₂ calculation of 9 categories of Kompan product line, version 1.0, prepared by: Bureau Veritas HSE, Denmark: Julie M. V. Larsen.

Publication date: 30. October 2023

By Bureau Veritas HSE
 www.bureauveritas.dk
 +45 7731 1000

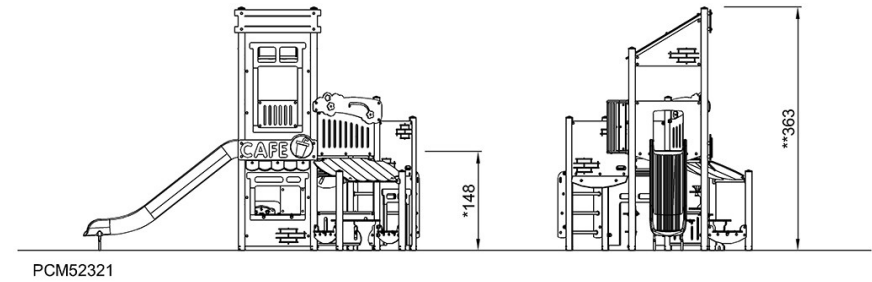
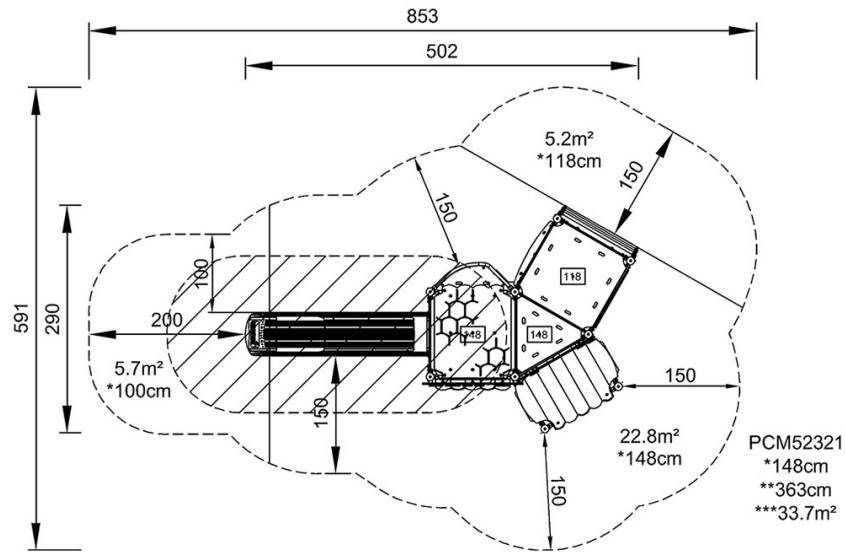


Town House with Cafe

PCM52321

* Max fall height | ** Total height | *** Safety surfacing area

* Max fall height | ** Total height



[Click to see TOP VIEW](#)

[Click to see SIDE VIEW](#)