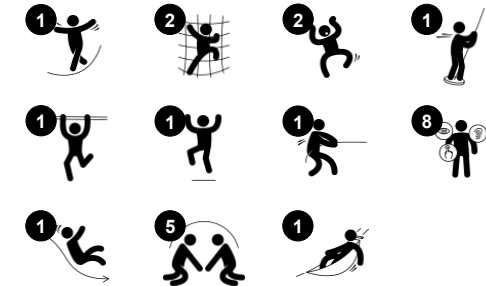


Castle Watch Tower

PCM112621



Item no. PCM112621-0901	
General Product Information	
Dimensions LxWxH	306x425x470 cm
Age group	4+
Play capacity (users)	14
Color options	●



A lot of play in little space: The Castle Watch Tower will inspire young children to play actively again and again. The scaled entry points offer a variety of ways to get to the top of the tower. The climber access provides an age-appropriate challenge to strengthen muscles and help develop cross-coordination skills. This enhances children's abilities to use both sides

of their brain, and supports the internal structures that enable reading and thinking. On the platform, a balcony invites for a view of the playground. The slide or fireman's pole offer thrilling exits. The higher fireman's pole is for dare devils, training the sense of space when holding tight, going down fast. Sliding supports posture and balance, the fundament for all

other physical skills. Under the platform a swaying hammock invite for a soothing break. The door enforces the castle cellar feeling and invites dramatic play. This stimulates language development. In young children the door is an obstacle that stimulates the understanding of object permanence and spurs hiding games.

Castle Watch Tower

PCM112621



Panels of 19mm EcoCore™. EcoCore™ is a highly durable, eco friendly material, which is not only recyclable after use, but also consists of material produced from +95% recycled post consumer material from food packing waste.



Main posts with hot dip galvanised steel footing are available in different materials: Pressure impregnated pine wood posts. Pre-galvanised inside and outside with powder coated top finish steel posts. Lead free aluminium with colour anodised top finish.



All decks are supported by unique designed low-carbon aluminum profiles with multiple attachment options. The grey colored molded decks are made of 75% post-consumer waste PP material with a non-skid pattern and texture surface.

Item no. PCM112621-0901

Installation Information

Max. fall height	178 cm
Safety surfacing area	32.0 m ²
Total installation time	16.0
Excavation volume	0.98 m ³
Concrete volume	0.38 m ³
Footing depth (standard)	90 cm
Shipment weight	607 kg
Anchoring options	In-ground ✓ Surface ✓



The slides can be chosen in different materials and colours: Straight or curved moulded PE slides in yellow or grey colour. Full stainless steel in on-piece design for more vandalism proof solutions.



KOMPAN Play Systems can be customised to match individual demands. Visit the products at www.KOMPAN.com for options with the digital KOMPAN Solution Planner. Multiple options for panels, decks, posts, slides and other play activities ensure durable solutions in any outdoor environment.



Sustainability Data

PCM112621



Cradle to Gate A1-A3	Total CO ₂ emission	CO ₂ e/kg	Recycled materials
	kg CO ₂ e	kg CO ₂ e/kg	%
PCM112621-0901	1,028.60	2.36	58.30

The overall framework applied for these factors is the Environmental Product Declaration (EPD), which quantifies "environmental information on the life cycle of a product and enable comparisons between products fulfilling the same function" (ISO, 2006). This follows the structure and applies a Life-Cycle Assessment approach to the entire Product stage from raw material through manufacturing (A1-A3))

Kompan A/S
 C.F. Tietgens Boulevard 32C
 DK-5220 Odense SØ
 Denmark



Verification of CO₂ calculation of: Themed play systems



Data version no. 2023-10-05

The CO₂ calculation and data are in compliance with the principles of a carbon footprint impact according to the GHG protocol (Greenhouse Gas Protocol), Scope 3, cradle to gate related to all individual components in the product category: "Themed play systems" represented by item no.: MSC641100-3717P.

(Scope 3 emissions include emission sources in the upstream and downstream value chain).

Date: 30. October 2023 | Valid until: 30. October 2025

Verified by:

Julie Marie Vejsgaard Larsen, LCA & EPD Consultant

Verification based on report: Validation of CO₂ calculation of 9 categories of Kompan product line, version 1.0, prepared by: Bureau Veritas HSE, Denmark: Julie M. V. Larsen.

Publication date: 30. October 2023

By Bureau Veritas HSE
 www.bureauveritas.dk
 +45 7731 1000

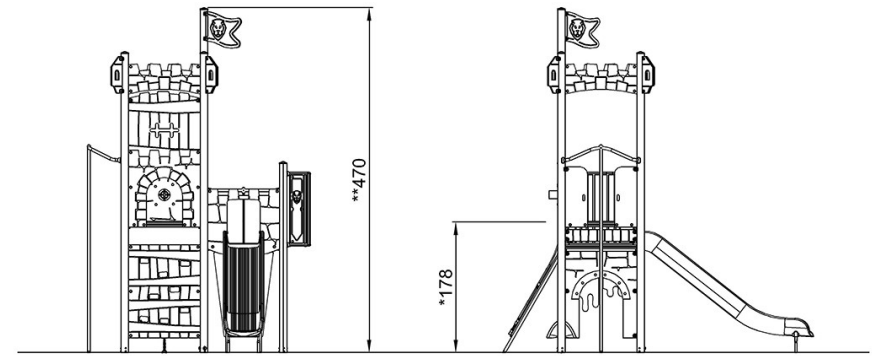
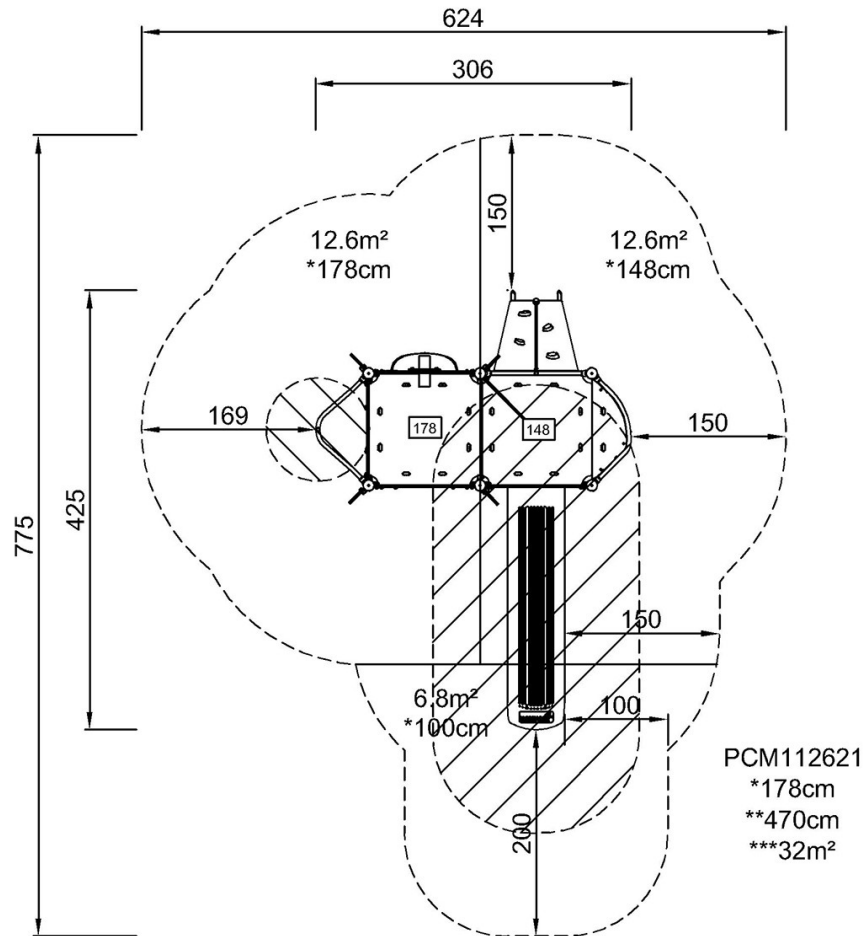


Castle Watch Tower

PCM112621

* Max fall height | ** Total height | *** Safety surfacing area

* Max fall height | ** Total height



PCM112621

[Click to see TOP VIEW](#)

[Click to see SIDE VIEW](#)