

Parallel Bars Pro

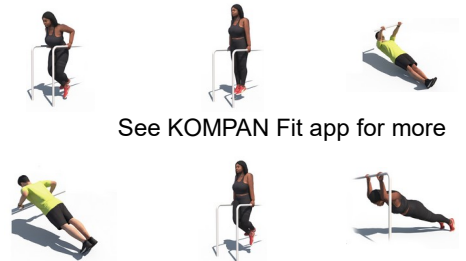
FAZ104



Two sets of parallel bars of three different heights, with cleverly placed side bars for an accessible and functional training for all. The Parallel Bars are suitable for beginners who want to learn how to do dips. They can start with leaning push-ups against the bar, and can later on move on to actual dips, which can initially be made easier by resting the feet on

the additional bars. Dips are great for strengthening the chest, shoulder and arm muscles.

| | |
|------------------------------------|----------------|
| Item no. FAZ10400-0900 | |
| General Product Information | |
| Dimensions LxWxH | 390x106x334 cm |
| Age group | 13+ |
| Play capacity (users) | 3 |
| Colour options | |



See KOMPAN Fit app for more



Parallel Bars Pro

FAZ104



The Polyurea Coating, used on all grips, is highly durable against wear and tear, offers isolation and simultaneously gives users an outstanding grip during their workout.



The big instruction signs are made of a 8mm polycarbonate sheets with clear instructions printed directly on the panels. The polycarbonate is extremely strong and provides a vandalism proof construction.



The product offers two sets of parallel bars $\varnothing 48.3 \times 4\text{mm}$, three different heights (104, 114 and 124cm) and four lower side bars $\varnothing 33.7 \times 3\text{mm}$. Combined these 6 bars offer a wide variety of training options.

| Item no. FAZ10400-0900 | |
|--------------------------|--|
| Installation Information | |
| Max. fall height | 124 cm |
| Safety surfacing area | 18.3 m ² |
| Total installation time | 6.8 |
| Excavation volume | 0.84 m ³ |
| Concrete volume | 0.42 m ³ |
| Footing depth (standard) | 90 cm |
| Shipment weight | 387 kg |
| Anchoring options | In-ground <input checked="" type="checkbox"/> Surface <input checked="" type="checkbox"/> |
| Warranty Information | |
| Coated steel parts | 10 years |
| PUR components | 10 years |
| Signs | 10 years |
| Spare parts guaranteed | 10 years |



All Steel components are made from carbon steel, with a hot-dip galvanised surface according to ISO1461, and a powder coating corrosion class C3 according to ISO12944-2. Lead content for surfaces is below 90ppm, and below 100ppm for base material.



To ensure the integrity of the main frame, the orange coloured main posts are made of $\varnothing 101.6 \times 3\text{mm}$ steel posts, which are hot dip galvanised and powder coated Orange (RAL2010). The supportive posts receive the same surface treatment and are made of $\varnothing 76.1 \times 3.6\text{mm}$ steel tubes, powder coated grey (RAL7012).



All KOMPAN fitness products are compliant with the ASTM F3101 & EN16630 Outdoor Fitness Standards. Load tests are performed as a static test by adding dynamic factors as well as safety factors to the specified load of 78kg per user. A product intended for 1 user is loaded with 420kg.



Sustainability Data

FAZ104



| Cradle to Gate A1-A3 | Total CO ₂ emission | CO ₂ e/kg | Recycled materials |
|----------------------|--------------------------------|-------------------------|--------------------|
| | kg CO ₂ e | kg CO ₂ e/kg | % |
| FAZ10400-0900 | 893.42 | 2.88 | 46.30 |

The overall framework applied for these factors is the Environmental Product Declaration (EPD), which quantifies "environmental information on the life cycle of a product and enable comparisons between products fulfilling the same function" (ISO, 2006). This follows the structure and applies a Life-Cycle Assessment approach to the entire Product stage from raw material through manufacturing (A1-A3))

Kompan A/S
 C.F. Tietgens Boulevard 32C
 DK-5220 Odense SØ
 Denmark



Verification of CO₂ calculation of: Fitness



Data version no. 2023-10-05

The CO₂ calculation and data are in compliance with the principles of a carbon footprint impact according to the GHG protocol (Greenhouse Gas Protocol), Scope 3, cradle to gate related to all individual components in the product category: "Fitness" represented by item no.: FAZ10100-0900.

(Scope 3 emissions include emission sources in the upstream and downstream value chain).

Date: 30. October 2023 | Valid until: 30. October 2025

Verified by:

Julie Marie Vejsgaard Larsen, LCA & EPD Consultant

Verification based on report: Validation of CO₂ calculation of 9 categories of Kompan product line, version 1.0, prepared by: Bureau Veritas HSE, Denmark: Julie M. V. Larsen.

Publication date: 30. October 2023

By Bureau Veritas HSE
 www.bureauveritas.dk
 +45 7731 1000

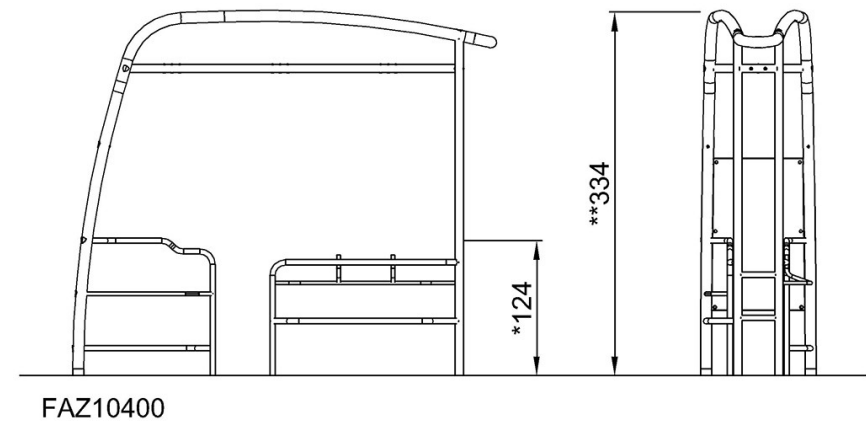
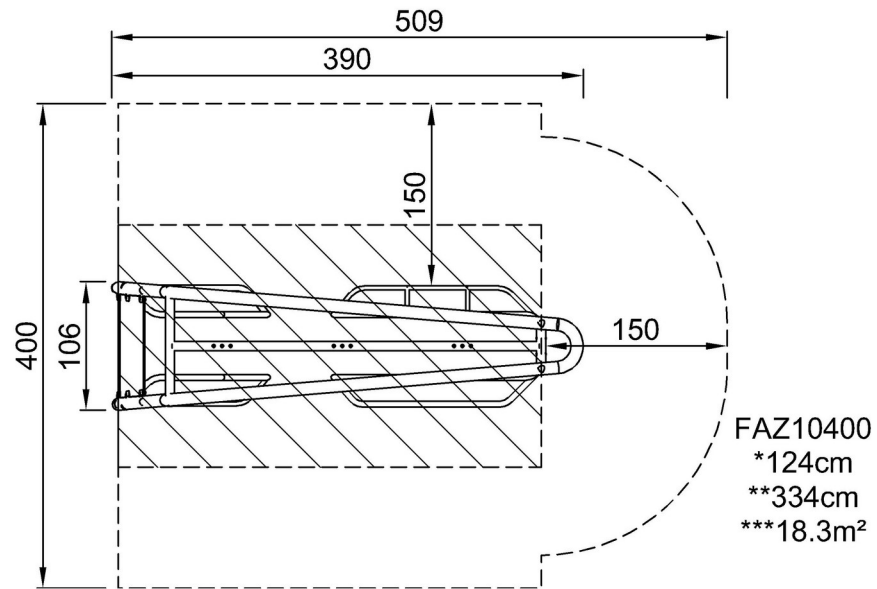


Parallel Bars Pro

FAZ104

* Max fall height | ** Total height | *** Safety surfacing area

* Max fall height | ** Total height



[Click to see TOP VIEW](#)

[Click to see SIDE VIEW](#)