

Toddler Seat H:2.5m

SW990031

KOMPANI
Let's play



产品编号 SW990031-00

产品信息概览

| | |
|-------|------------|
| 长宽高尺寸 | 63x87x0 cm |
| 适用年龄段 | 1+ |
| 容纳人数 | 1 |
| 颜色选择 | ● |



WOW! The Toddler Seat is a truly unique swing invention that makes it possible for toddlers to swing before they fully master the cross-coordination skills that conventional swinging requires. When seated, the toddler can push and pull the front chains and thus set the seat in motion. This is a fabulous event for toddlers, who have a strong drive to do things on their

own, but often need help. The feeling of independence is priceless to young toddlers and it boosts their self confidence. Apart from being great fun, swinging on the Toddler Seat trains important gross motor skills such as the sense of balance when seated, moving. Additionally, it is a good training of muscles as the trunk stability and pushing and pulling with

arms all take some force. A truly social-emotionally as well as physically stimulating swing seat.



Toddler Seat H:2.5m

SW990031



带腿部开口的宽敞座椅

身体素质：坐姿有助于在推拉前链时保持躯干稳定和平衡。**社交情感：**腿部的支撑性雕刻孔使儿童在就座时倍感安全。开口便于将儿童抱进或抱出座椅。



前链

身体素质：推拉链条需要协调能力，可以训练肌肉力量。**认知能力：**孩子能够通过身体动作影响物体运动的这一认识，增强了他们的逻辑思维能力和对因果关系的理解。

Toddler Seat H:2.5m

SW990031

KOMPAN
Let's play



KOMPAN 设计的弧形婴幼儿座椅由 21.25mm 厚的桤木和松木胶合板制成。外层采用紫外线稳定的 PUR 模制而成，可在 -30°C 至 60°C 的温度范围内保持其特性

双钢叉悬架提供独特的座椅平行运动。秋千吊架由高质量的紫外线稳定尼龙（PA6）外壳制成，并有使用寿命长的集成密封球轴承。高度可调节的链条由带有防盗蛇眼螺栓的不锈钢钩固定在可旋转的防扭外壳中。

每个链条末端的四个 PUR 橡胶元件适合坐在座椅上来回摇摆的婴幼儿抓握。

产品编号 SW990031-00

安装信息

| | |
|--------|---------------------|
| 最大跌落高度 | 146 cm |
| 安全面积 | 14.5 m ² |
| 安装总时长 | 1.3 |
| 开挖量 | 0.00 m ³ |
| 混凝土使用量 | 0.00 m ³ |
| 标准入地深度 | 0 cm |
| 运输重量 | 24 kg |
| 固定选项 | |

质保信息

| | |
|---------|------|
| 链条 | 10 年 |
| EPDM 部件 | 2 年 |
| 承保零部件 | 10 年 |



所有高度的座椅均可提供热镀锌或不锈钢秋千链。



Sustainability Data

SW990031



从原材料到成品

CO₂ 排放总量

kg CO₂e

CO₂ 排放量 / 千克

kg CO₂e/kg

回收的原料

%

SW990031-00

65.23

3.82

34.85

这些因素采用的总体框架为环保产品声明 (EPD), 该声明可量化“产品生命周期的环保信息, 并对相同功能的产品进行对比”(ISO, 2006)。在遵循该框架的同时, 对从原材料到制造的整个产品阶段 (A1-A3) 应用生命周期评估法。

Kompan A/S

C.F. Tietgens Boulevard 32C
DK-5220 Odense SØ
Denmark

Validation of CO₂ calculation method
BUREAU VERITAS
HSE Denmark A/S



Verification of CO₂ calculation of: Freestanding play equipment



Data version no. 2023-10-05

The CO₂ calculation and data are in compliance with the principles of a carbon footprint impact according to the GHG protocol (Greenhouse Gas Protocol), Scope 3, cradle to gate related to all individual components in the product category: "Freestanding play equipment" represented by item no.: KSW92011-0910.

(Scope 3 emissions include emission sources in the upstream and downstream value chain).

Date: 30. October 2023 | Valid until: 30. October 2025

Verified by:

Julie Marie Vejsgaard Larsen, LCA & EPD Consultant

Verification based on report: Validation of CO₂ calculation of 9 categories of Kompan product line, version 1.0, prepared by: Bureau Veritas HSE, Denmark: Julie M. V. Larsen.

Publication date: 30. October 2023

By Bureau Veritas HSE
www.bureauveritas.dk
+45 7731 1000

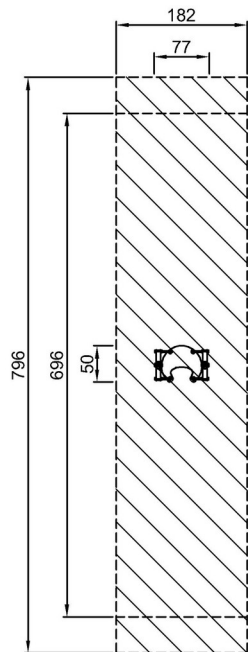


Toddler Seat H:2.5m

SW990031

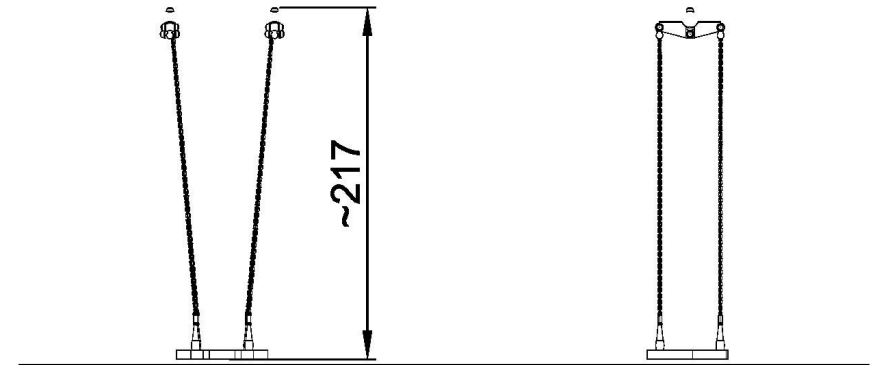
最大跌落高度 | 总高度 | 安全区域

最大跌落高度 | 总高度



SW990031

***14.5m²



SW990031
1:100

[点击查看俯视图](#)

[点击查看侧面图](#)