

Steel Swing H:3.0m

KSW92005

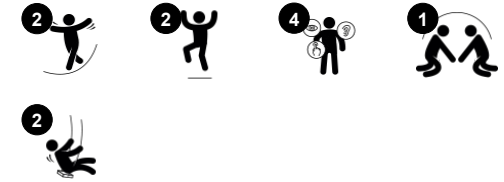
KOMPANI
Let's play



产品编号 KSW92005-0910

产品信息概览

长宽高尺寸	360x207x305 cm
适用年龄段	3+
容纳人数	2
颜色选择	●



Of all the play activities, swinging is a favorite: children love it, as it can be done individually and together. This swing set supports the play joy of doing the same thing at the same time, featuring two similar swing seats. The seats are shaped with a slight curve in the middle, to facilitate the secure seat position of a wide age span. A great place to play, for all ages, for

hours and days. Swinging apart from being great fun, trains the children's ABC: agility, balance and coordination as well as their spatial awareness. These motor skills are crucial to being able to judge distances and navigate, traffic safely. Swings allows for standing sitting, laying – and of course, jumping off. Apart from the motor skills training,

this trains the arm, leg and core muscles. The jumping off builds bone density – the majority of which is built up during the first years of life.



Steel Swing H:3.0m

KSW92005



两个单人秋千座椅

身体素质：trains balance, coordination and spatial awareness. All necessary when judging distances. Trains arm, leg and core muscles, and strengthens bone density when jumping off. **社交情感**：平行游戏需要合作和思考。 **认知能力**：帮助年龄较小的儿童理解因果关系，训练思考技能。在相同或不同的节奏中摇摆时，为较大的孩子提供规则游戏。



Steel Swing H:3.0m

KSW92005



垂直立柱使用热浸镀锌钢或在预镀锌钢基上进行粉末涂层。秋千框架末端连接器和横梁使用热浸镀锌钢或在预镀锌钢基上进行粉末涂层。



KOMPAN 设计的重载型不锈钢秋千吊架具有防扭曲功能。吊架通过两个螺栓固定在焊接支架上的横梁上。轴承内嵌硅酮润滑剂，无需进一步润滑。



KOMPAN 设计的鸟巢秋千座椅重量轻且符合全球安全标准。柔软减震的防滑表面保险杠使秋千座椅极为用户友好。绳索可选增强型 PA 绳或模制 PE 绳。两者均配有软橡胶缓冲器。

产品编号 KSW92005-0910

安装信息

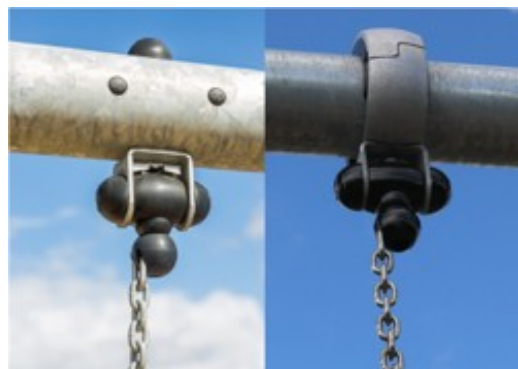
最大跌落高度	167 cm
安全面积	26.5 m ²
安装总时长	4.9
开挖量	1.12 m ³
混凝土使用量	0.00 m ³
标准入地深度	90 cm
运输重量	213 kg
固定选项	入地 ✓

质保信息

链条	10 年
承保零部件	10 年
热镀锌钢柱	终身质保
秋千悬挂	5 年
秋千座椅	10 年



KOMPAN 秋千的标准座椅经过精心设计，具有最大的安全性和耐用性。带有 PP 内芯和外部橡胶的两部分座椅为一体式生产。座椅可提供所有高度的热镀锌钢或不锈钢秋千链。



秋千吊架由高质量的 UV 稳定尼龙（PA6）外壳制成，并带有集成的全寿命密封球轴承。高度可调节的链条由带有防盗蛇眼螺栓的不锈钢钩固定在可旋转的防扭外壳中。所有带有两个链条固定装置的座椅都可提供标准悬架或防缠绕悬架。



设计独特的幼儿座椅：橡胶婴儿座椅。PUR 的幼儿座椅带有四个链条悬挂装置，便于移动。摇篮座。亲子秋千座椅，适合成人 / 儿童或不同年龄的儿童，彼此面对面一起摆动。



Sustainability Data

KSW92005



从原材料到成品	CO ₂ 排放总量	CO ₂ 排放量 / 千克	回收的原料
	kg CO ₂ e	kg CO ₂ e/kg	%
KSW92005-0910	486.11	3.21	46.00

这些因素采用的总体框架为环保产品声明 (EPD), 该声明可量化“产品生命周期的环保信息, 并对相同功能的产品进行对比” (ISO, 2006)。在遵循该框架的同时, 对从原材料到制造的整个产品阶段 (A1-A3) 应用生命周期评估法。

Kompan A/S
C.F. Tietgens Boulevard 32C
DK-5220 Odense SØ
Denmark



Verification of CO₂ calculation of: Freestanding play equipment



Data version no. 2023-10-05

The CO₂ calculation and data are in compliance with the principles of a carbon footprint impact according to the GHG protocol (Greenhouse Gas Protocol), Scope 3, cradle to gate related to all individual components in the product category: "Freestanding play equipment" represented by item no.: KSW92011-0910.

(Scope 3 emissions include emission sources in the upstream and downstream value chain).

Date: 30. October 2023 | Valid until: 30. October 2025

Verified by:

Julie Marie Vejsgaard Larsen, LCA & EPD Consultant

Verification based on report: Validation of CO₂ calculation of 9 categories of Kompan product line, version 1.0, prepared by: Bureau Veritas HSE, Denmark: Julie M. V. Larsen.

Publication date: 30. October 2023

By Bureau Veritas HSE
www.bureauveritas.dk
+45 7731 1000

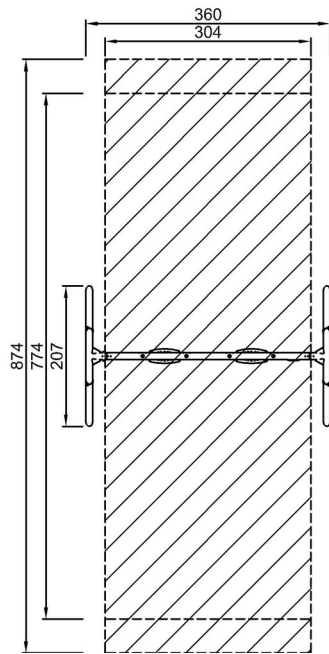


Steel Swing H:3.0m

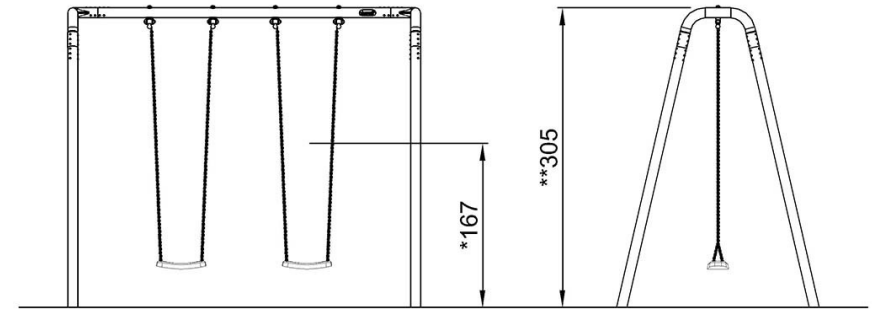
KSW92005

最大跌落高度 | 总高度 | 安全区域

最大跌落高度 | 总高度



KSW92005
*167cm
**305cm
***26.5m²



KSW92005

[点击查看俯视图](#)

[点击查看侧面图](#)