

Balance Plus

NRO871



Item no. NRO871-1001

General Product Information

Dimensions LxWxH	244x62x149 cm
Age group	4+
Play capacity (users)	2
Color options	 



The Balance Plus is a playground classic, that attracts children again and again. It can function as playground glue, connecting activities. It can also function as a point for a break, providing seating for children, parents or carers in need of a point from which to observe play. When children navigate across the Balance Plus, they train their balance

immensely, which is a fundamental skill, that is basic for the development of all other skills. The sense of balance for instance makes it possible for children to sit still and concentrate. When zig-zag balancing across the Balance Plus, children will negotiate and turn-take to pass each other. This trains important social-emotional skills, that are important for instance

when making friends.



Data is subject to change without prior notice.

Balance Plus

NRO871



All Organic Robinia products by KOMPAN are made of Robinia wood from sustainable European sources. On request it can be supplied as FSC® Certified (FSC® C004450).

The Robinia wood can be supplied as untreated raw wood or painted with a brown coloured transparent pigment that maintains the golden wood colour of the wood.

Item no. NRO871-1001

Installation Information

Max. fall height	46 cm
Safety surfacing area	15.9 m ²
Total installation time	4.5
Excavation volume	0.50 m ³
Concrete volume	0.30 m ³
Footing depth (standard)	100 cm
Shipment weight	267 kg
Anchoring options	In-ground ✓



Sustainability Data

NRO871



Cradle to Gate A1-A3	Total CO ₂ emission	CO ₂ e/kg	Recycled materials
	kg CO ₂ e	kg CO ₂ e/kg	%
NRO871-1001	28.10	0.14	0.70

The overall framework applied for these factors is the Environmental Product Declaration (EPD), which quantifies "environmental information on the life cycle of a product and enable comparisons between products fulfilling the same function" (ISO, 2006). This follows the structure and applies a Life-Cycle Assessment approach to the entire Product stage from raw material through manufacturing (A1-A3))

Kompan A/S
 C.F. Tietgens Boulevard 32C
 DK-5220 Odense SØ
 Denmark



Verification of CO₂ calculation of: Nature play



Data version no. 2023-10-05

The CO₂ calculation and data are in compliance with the principles of a carbon footprint impact according to the GHG protocol (Greenhouse Gas Protocol), Scope 3, cradle to gate related to all individual components in the product category: "Nature play" represented by item no.: NRO409-0621.

(Scope 3 emissions include emission sources in the upstream and downstream value chain).

Date: 30. October 2023 | Valid until: 30. October 2025

Verified by:

Julie Marie Vejsgaard Larsen, LCA & EPD Consultant

Verification based on report: Validation of CO₂ calculation of 9 categories of Kompan product line, version 1.0, prepared by: Bureau Veritas HSE, Denmark: Julie M. V. Larsen.

Publication date: 30. October 2023

By Bureau Veritas HSE
 www.bureauveritas.dk
 +45 7731 1000

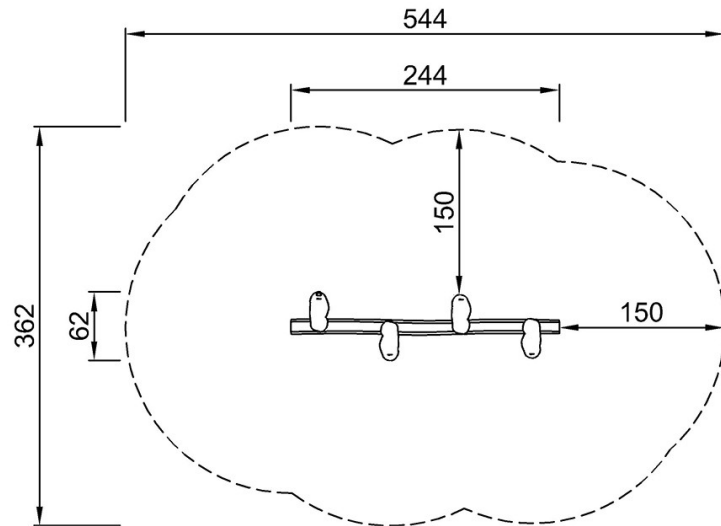


Balance Plus

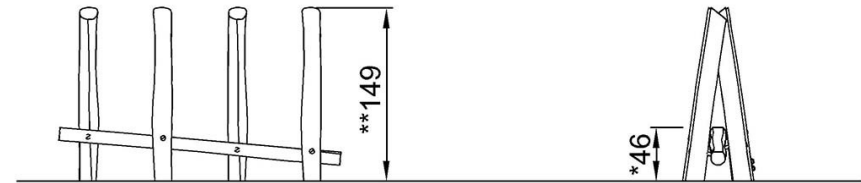
NRO871

* Max fall height | ** Total height | *** Safety surfacing area

* Max fall height | ** Total height



NRO871
*46cm
**149cm
***15.9m²



NRO871

[Click to see TOP VIEW](#)

[Click to see SIDE VIEW](#)