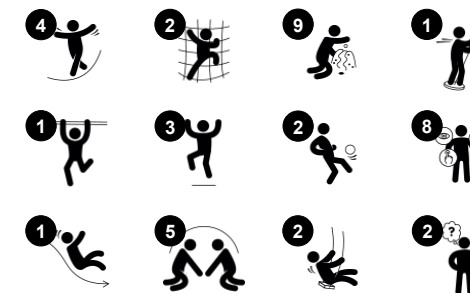


Play Tower with Swing, 2 Seats

PCM110721



Item no. PCM110721-0902	
General Product Information	
Dimensions LxWxH	785x500x412 cm
Age group	4+
Play capacity (users)	12
Colour options	● ● ● ● ● ●



This play tower with a swing enhances physical play with opportunities for children to move their bodies by climbing, stretching, sliding, and swinging. The structure motivates children by providing a variety of play activities for physical, social, and cognitive play. The Rappel climber strengthens muscles and helps to develop cross-coordination skills. This

enhances a child's ability to use both sides of their brain, and supports the internal structures that enable reading and thinking. Sliding is immensely thrilling and also supports posture and balance. They are the basis for many other physical skills and help to build up confidence to navigate the world securely. Swinging is a favourite playground activity that instantly

attracts children. The two swing seats will provide hours of social interaction and fun.



Play Tower with Swing, 2 Seats

PCM110721



Slide

Physical: develops spatial awareness, sense of balance and trains core muscles when sitting upright going down. **Social-Emotional:** empathy stimulated by turn-taking.



Pipe ladder

Physical: cross coordination and eye-hand coordination are supported when children climb the ladder. The climbing also supports leg and arm muscles. **Social-Emotional:** learning about turn taking and cooperation.



Score board

Social-Emotional: teams can each have a button to measure rounds, wins etc. The buttons support cooperation and teamwork. **Cognitive:** counting and registering support thinking skills such as logical thinking and sequencing.



Pipe rapella

Physical: supports cross coordination, proprioception and sense of space. Leg, core and upper body muscles are used intensely. **Social-Emotional:** turn-taking and self-regulation, both important life skills.



Tic-tac-toe panel

Social-Emotional: stimulates communication and turn-taking skills. **Cognitive:** support rules understanding, strategic thinking. **Creative:** leaving marks when tumblers are left in new positions.



Two single swing seats

Physical: balance, coordination and spatial awareness are trained when swinging. All necessary when judging distances and managing traffic safely. **Social-Emotional:** parallel play invites cooperation and consideration. **Cognitive:** 'Cause and effect' understanding, managing rhythm and thinking skills for younger children when swinging. Rules games for bigger children.

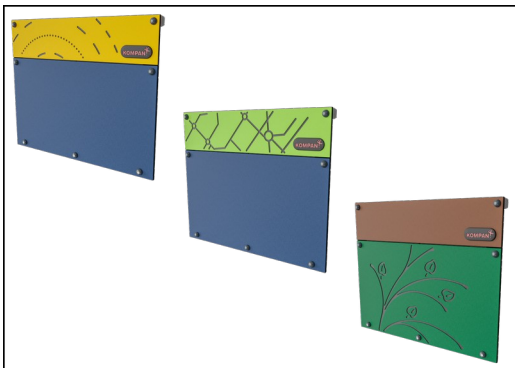


Banister bars

Physical: supports coordination, arm and core muscles. Landing strengthens bone density. **Social-Emotional:** turn-taking and risk-taking.

Play Tower with Swing, 2 Seats

PCM110721



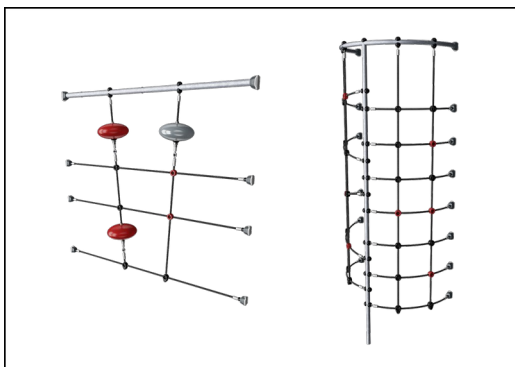
Panels of 19mm EcoCore™. EcoCore™ is a highly durable, eco-friendly material, which is not only recyclable after use but also consists of a core produced from 100% recycled material.



The slides can be chosen in different materials and colours: Straight or curved one-piece molded PE slides in yellow or grey color. Combined EcoCore™ sides and stainless-steel. Full stainless steel in one-piece design for more vandalism proof solutions.



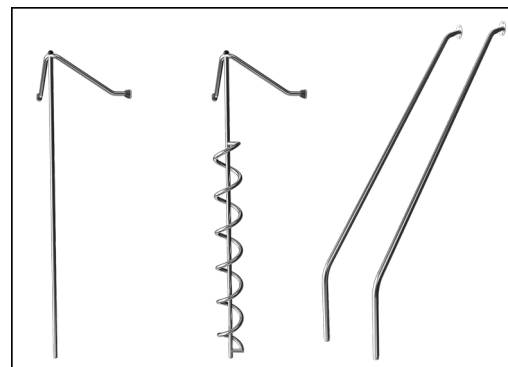
Main posts with hot dip galvanized steel footing are available in different materials: Pressure impregnated pine wood posts. Pre-galvanized inside and outside with powder coated top finish steel posts. Lead free aluminum with color anodized top finish. Greenline TexMade posts of 95% post-consumer recycled PE and textile waste.



Ropes of UV-stabilized PES rope strands with inner steel cable reinforcement. The polyester yarn is made from +95% post-consumer materials and is inductively melted onto each strand.



All decks are supported by unique designed low-carbon aluminum profiles with multiple attachment options. The grey colored molded decks are made of 75% post-consumer waste PP material with a non-skid pattern and texture surface.



Activities are made of high-quality stainless steel which is cleaned by a total pickling process after manufacturing to ensure a smooth and clean gliding surface.

Item no. PCM110721-0902

Installation Information

Max. fall height	239 cm
Safety surfacing area	58.3 m ²
Total installation time	16.0
Excavation volume	1.01 m ³
Concrete volume	0.04 m ³
Footing depth (standard)	85 cm
Shipment weight	569 kg
Anchoring options	In-ground ✓ Surface ✓

Warranty Information

EcoCore HDPE	Lifetime
Post	10 years
Ropes & Nets	10 years
Spare Parts Guarantee	10 years
Stainless Steel Components	Lifetime



Sustainability Data

PCM110721



Cradle to Gate A1-A3	Total CO ₂ emission	CO ₂ e/kg	Recycled materials
	kg CO ₂ e	kg CO ₂ e/kg	%
PCM110721-0902	1,140.80	2.64	54.57

The overall framework applied for these factors is the Environmental Product Declaration (EPD), which quantifies "environmental information on the life cycle of a product and enable comparisons between products fulfilling the same function" (ISO, 2006). This follows the structure and applies a Life-Cycle Assessment approach to the entire Product stage from raw material through manufacturing (A1-A3))

Kompan A/S
 C.F. Tietgens Boulevard 32C
 DK-5220 Odense SØ
 Denmark



Verification of CO₂ calculation of: Play systems



Data version no. 2023-10-05

The CO₂ calculation and data are in compliance with the principles of a carbon footprint impact according to the GHG protocol (Greenhouse Gas Protocol), Scope 3, cradle to gate related to all individual components in the product category: "Play systems" represented by item no.: PCM200321-0950.

(Scope 3 emissions include emission sources in the upstream and downstream value chain).

Date: 30. October 2023 | Valid until: 30. October 2025

Verified by:

Julie Marie Vejsgaard Larsen, LCA & EPD Consultant

Verification based on report: Validation of CO₂ calculation of 9 categories of Kompan product line, version 1.0, prepared by: Bureau Veritas HSE, Denmark: Julie M. V. Larsen.

Publication date: 30. October 2023

By Bureau Veritas HSE
 www.bureauveritas.dk
 +45 7731 1000

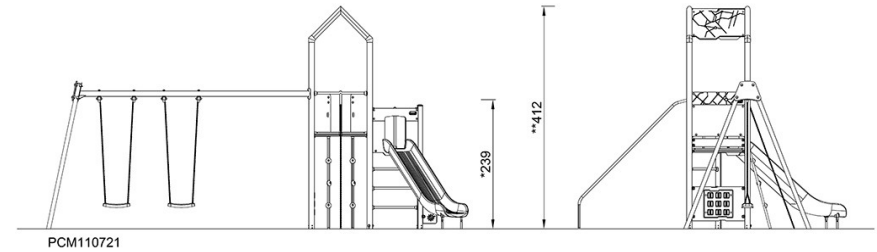
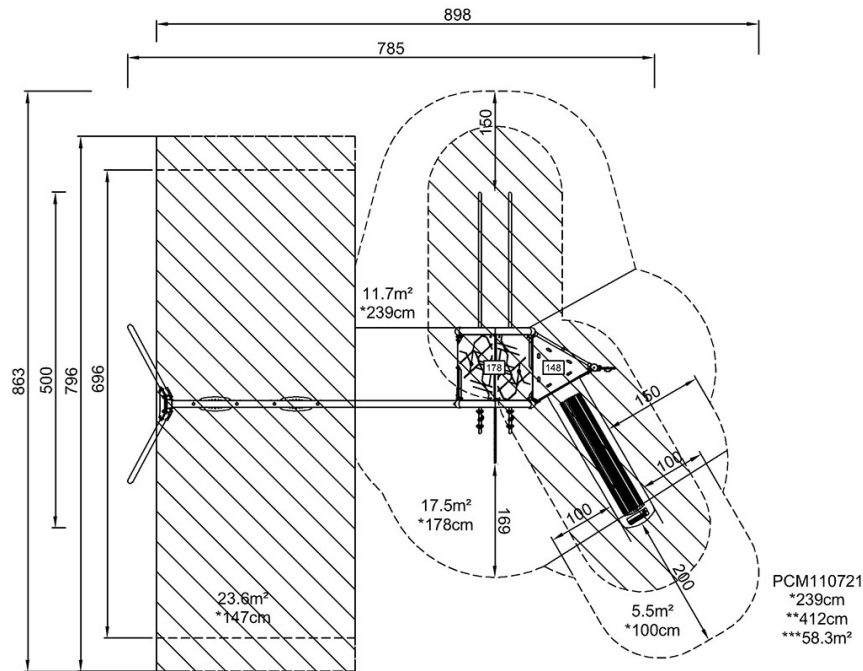


Play Tower with Swing, 2 Seats

PCM110721

* Max fall height | ** Total height | *** Safety surfacing area

* Max fall height | ** Total height



[Click to see TOP VIEW](#)

[Click to see SIDE VIEW](#)