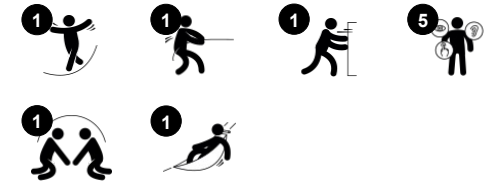


Membrane Hammock

COR20402



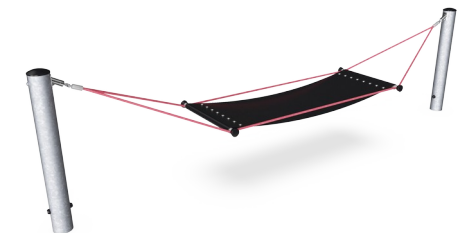
Item no. COR204021-1101	
General Product Information	
Dimensions LxWxH	534x97x141 cm
Age group	3+
Play capacity (users)	4
Color options	



Children can sway mildly or wildly, lie, be seated or even stand in the Membrane Hammock. Children of all abilities will take joy in the responsiveness and social interaction in the hammock. Pushing and pulling the friends from side to side is fun and also builds arm strength. The swaying motion supports important motor skills such as the sense of

balance and the sense of space. The rhythmic movements support the understanding of rhythm. In combination, these three skills assist the child's ability to navigate space securely, for instance when judging distances and speed in traffic. The sense of balance is fundamental for all other motor skills and helps the child's motor stability: preventing falls and being able to sit

still for longer periods of time.



Membrane Hammock

COR20402



Hammock with membrane

Physical: supportive of milder or wilder sways, sitting, lying or standing. Great training of the sense of balance and spatial awareness, helping children to navigate their surroundings securely. **Social-Emotional:** spacious for several users of different ages, supporting socialization.



Double ropes

Physical: pushing and pulling others. Holding the ropes support arm muscles. Can be pushed from a wheelchair position.

Membrane Hammock

COR20402



Ropes of UV-stabilized PES rope strands with inner steel cable reinforcement. The polyester yarn is made from +95% post-consumer materials and is inductively melted onto each strand. The ropes are highly wear-and vandalism-resistant and can be replaced at site if needed.



Corocord membranes consist of friction-proof rubberized material of conveyor belt quality with excellent UV resistance. Tested and compliant with REACH requirements for PAH. Embedded is a four-layered armouring made of woven polyester. The armouring and the two surface layers result in a total thickness of 7.5 mm.



The aluminium swages of the net are double conical with rounded ends and are as small as safety allows. The overall net design aims at keeping metal parts within the net to an absolute minimum, both in size and number, in order to provide the best possible rope climbing experience.



The steel structure are hot dip galvanized inside and outside with lead free zinc. The galvanisation has excellent corrosion resistance in outside environments and requires low maintenance.



Through KOMPAN Variant Team, you can choose between additional 7 rope colours and customize your solution. The assortment is a wide span of colours ranking from elegant and expressive black or natural and toned-down hemp colour, to a range of attractive and eye-catching signal colours.

Item no. COR204021-1101

Installation Information

Max. fall height	140 cm
Safety surfacing area	33.0 m ²
Total installation time	3.2
Excavation volume	2.20 m ³
Concrete volume	1.40 m ³
Footing depth (standard)	110 cm
Shipment weight	158 kg
Anchoring options	In-ground ✓

Warranty Information

Corocord rope	10 years
Hot dip galvanised steel	Lifetime
Membrane	2 years
Spare parts guaranteed	10 years



Sustainability Data

COR20402



Cradle to Gate A1-A3	Total CO ₂ emission	CO ₂ e/kg	Recycled materials
	kg CO ₂ e	kg CO ₂ e/kg	%
COR204021-1101	415.39	3.10	39.61

The overall framework applied for these factors is the Environmental Product Declaration (EPD), which quantifies "environmental information on the life cycle of a product and enable comparisons between products fulfilling the same function" (ISO, 2006). This follows the structure and applies a Life-Cycle Assessment approach to the entire Product stage from raw material through manufacturing (A1-A3))

Kompan A/S
 C.F. Tietgens Boulevard 32C
 DK-5220 Odense SØ
 Denmark



Verification of CO₂ calculation of: Corocord



Data version no. 2023-10-05

The CO₂ calculation and data are in compliance with the principles of a carbon footprint impact according to the GHG protocol (Greenhouse Gas Protocol), Scope 3, cradle to gate related to all individual components in the product category: "Corocord" represented by item no.: COR314011-1101.

(Scope 3 emissions include emission sources in the upstream and downstream value chain).

Date: 30. October 2023 | Valid until: 30. October 2025

Verified by:

Julie Marie Vejsgaard Larsen, LCA & EPD Consultant

Verification based on report: Validation of CO₂ calculation of 9 categories of Kompan product line, version 1.0, prepared by: Bureau Veritas HSE, Denmark: Julie M. V. Larsen.

Publication date: 30. October 2023

By Bureau Veritas HSE
 www.bureauveritas.dk
 +45 7731 1000

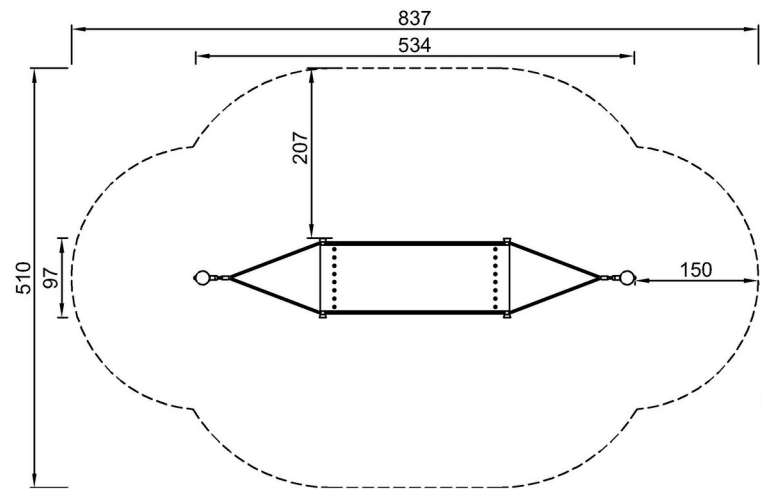


Membrane Hammock

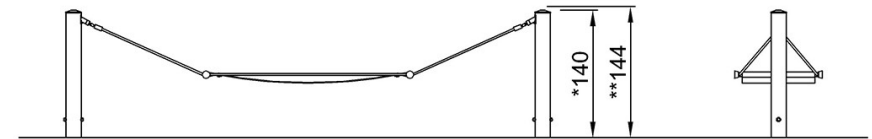
COR20402

* Max fall height | ** Total height | *** Safety surfacing area

* Max fall height | ** Total height



COR204021
*140cm
**141cm
***33.0m²



COR204021

[Click to see TOP VIEW](#)

[Click to see SIDE VIEW](#)