

Oasis Sand House with Desk and Crane

NRO528



The nice cottage on stilts with a sand crane, desk, tables, seats and a large outdoor porch play area where children can play and interact for hours. Through the gable of the house, there is access by an angled ramp to the inside, with small tables at the windows and a larger desk. On one side of the porch, the multifunctional sand crane is positioned on the

corner. The easy usable bucket of the crane can be filled with sand and when lifted the crane can be turned by using the round handle – accessible from the platform. The product is available as FSC® Certified (FSC® C004450) robinia wood on request.

Item no. NRO528-1021

General Product Information

Dimensions LxWxH	253x353x287 cm
Age group	2+
Play capacity (users)	17
Colour options	



Oasis Sand House with Desk and Crane

NRO528



Theme

Cognitive: suggests a theme and supports dramatic play, which stimulates language and communication skills.



Sand crane

Physical: hoisting the basket up and down trains arm muscles and dexterity. **Social-Emotional:** cooperating with others e.g. receiving the bucket trains cooperation skills. **Cognitive:** understanding the mechanism of the chains hoisting buckets up and down supports logical thinking skills. **Creative:** working with moveable play items that can leave a mark supports the child's creativity.



Slope

Physical: inclined crawling or walking up or down develops the sense of balance and cross coordination. **Social-Emotional:** the inclination makes climbing feel secure, especially for younger children.



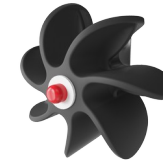
Window

Social-Emotional: invites interaction between sides and cooperative play.



Side desk

Social-Emotional: fine meeting place and a space creator. Sharing and cooperation from both sides create a social scenario that supports communication and cooperation.



Sand wheel

Cognitive: the turning sand wheel stimulates cause and effect understanding.



Sand desk with funnel

Social-Emotional: children can gather and store materials, cooperate and take a break together. **Cognitive:** sand can be shifted through the funnel, for understanding of cause and effect and object permanence: that materials don't vanish but run through at the other end.

Oasis Sand House with Desk and Crane

NRO528



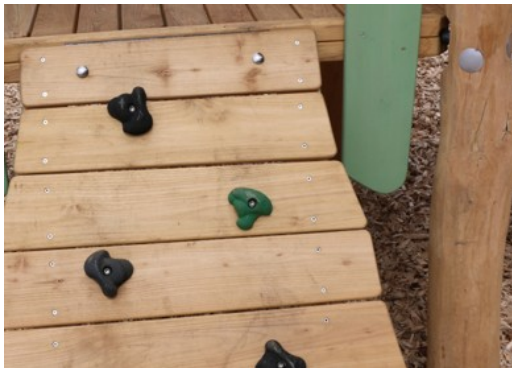
All Organic Robinia products by KOMPAN are made of Robinia wood from sustainable European sources. On request it can be supplied as FSC® Certified (FSC® C004450).



The paint used for coloured components is water based environmentally friendly with excellent UV resistance. The paint is in compliance with EN 71 Part 3.



The Robinia products are designed with a KOMPAN colour concept with a number of different standard colours. The wood can also be supplied as untreated or with brown painted with a pigment that maintains the wood colour.



The product/activities are preassembled from the factory to ensure all safety requirements are considered.

Item no. NRO528-1021	
Installation Information	
Max. fall height	48 cm
Safety surfacing area	27.0 m ²
Total installation time	20.7
Excavation volume	0.72 m ³
Concrete volume	0.10 m ³
Footing depth (standard)	100 cm
Shipment weight	1,063 kg
Anchoring options	In-ground ✓ Surface ✓
Warranty Information	
Robinia wood	15 years
Ropes & nets	10 years
Spare parts guaranteed	10 years
Stainless steel components	Lifetime
Stainless steel components	Lifetime



Sustainability Data

NRO528



Cradle to Gate A1-A3	Total CO ₂ emission	CO ₂ e/kg	Recycled materials
	kg CO ₂ e	kg CO ₂ e/kg	%
NRO528-1021	301.50	0.36	3.27

The overall framework applied for these factors is the Environmental Product Declaration (EPD), which quantifies "environmental information on the life cycle of a product and enable comparisons between products fulfilling the same function" (ISO, 2006). This follows the structure and applies a Life-Cycle Assessment approach to the entire Product stage from raw material through manufacturing (A1-A3))

Kompan A/S
 C.F. Tietgens Boulevard 32C
 DK-5220 Odense SØ
 Denmark



Verification of CO₂ calculation of: Nature play



Data version no. 2023-10-05

The CO₂ calculation and data are in compliance with the principles of a carbon footprint impact according to the GHG protocol (Greenhouse Gas Protocol), Scope 3, cradle to gate related to all individual components in the product category: "Nature play" represented by item no.: NRO409-0621.

(Scope 3 emissions include emission sources in the upstream and downstream value chain).

Date: 30. October 2023 | Valid until: 30. October 2025

Verified by:

Julie Marie Vejsgaard Larsen, LCA & EPD Consultant

Verification based on report: Validation of CO₂ calculation of 9 categories of Kompan product line, version 1.0, prepared by: Bureau Veritas HSE, Denmark: Julie M. V. Larsen.

Publication date: 30. October 2023

By Bureau Veritas HSE
 www.bureauveritas.dk
 +45 7731 1000

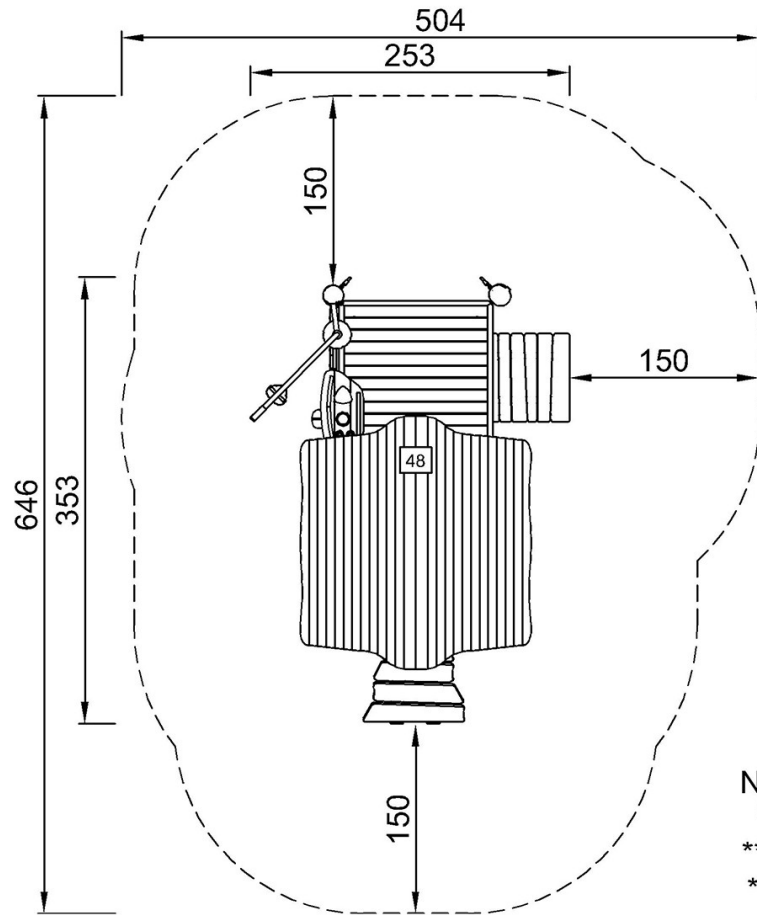


Oasis Sand House with Desk and Crane

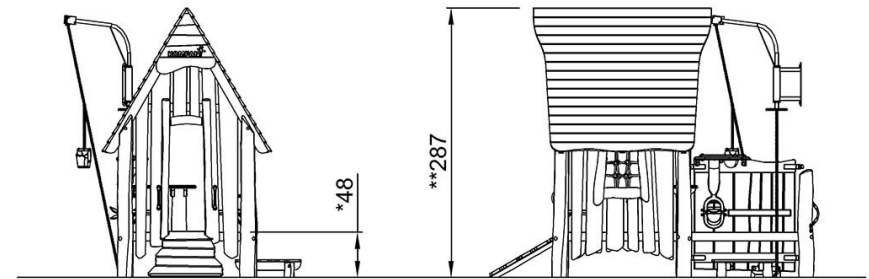
NRO528

* Max fall height | ** Total height | *** Safety surfacing area

* Max fall height | ** Total height



NRO528
*48cm
**287cm
***27m²



NRO528

[Click to see TOP VIEW](#)

[Click to see SIDE VIEW](#)