

# Ambulance

M166



Item no. M16601-01P

## General Product Information

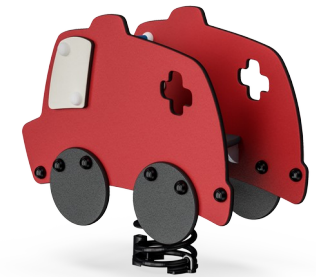
|                       |   |
|-----------------------|---|
| Dimensions LxWxH      | 1'4"x2'8"x2'7"  |
| Age group             | 2 - 5   |
| Play capacity (users) | 1   |
| Color options         |  |



Rocking on the Ambulance is a wildly attractive playground activity that children will return to again and again. Children are able to control the play by moving their bodies to make the Ambulance rock. They will feel delighted to have the Ambulance respond to their movements. The two sides support the seated position, and the footholds and handholds

provide a stable point to stem feet and hands to create the movement. This is not only fun, but is also good for physical and cognitive development. When children begin to learn the connections between their bodies and their movements, they begin to make cognitive connections to a range of body movements and sensations. The Ambulance theme will be

attractive to the child's imagination, and will encourage wonderful physical and imaginative play.



# Ambulance

M166



## Theme

**Cognitive:** suggests a theme and supports dramatic play, which stimulates language and communication skills.



## Rocking spring

**Physical:** response to movement increases spatial awareness and sense of balance. These are fundamental motor skills that help the child's ability to sit still on a chair which takes a good sense of balance. **Cognitive:** trains the understanding of cause and effect: when I move my body, the spring responds with movement.



## Handhold

**Physical:** the vertical handgrips ensure a firm grip at different heights, necessary for rocking intensely. This trains hand and arm muscles.



## Foot support

**Physical:** the possibility of footrest supports intense rocking. Rocking stimulates the senses of balance and space that are fundamental in managing the world securely.

# Ambulance

M166



Panels of 19mm EcoCore™. EcoCore™ is a highly durable, eco friendly material, which is not only recyclable after use, but also consists of a core produced from 100% recycled material.



KOMPAN Springs are made of high quality spring steel according to EN10270. The springs are cleaned by phosphating before they are painted with an epoxy primer and a polyester powder coating as top finish. The springs are fixed by unique anti pinch fittings for maximum safety and long lifetime.



The springs are fixed by unique anti pinch fittings for maximum safety and long lifetime.

| Item no. M16601-01P      |                          |
|--------------------------|--------------------------|
| Installation Information |                          |
| Max. fall height         | 1'4"                     |
| Safety surfacing area    | 161ft <sup>2</sup>       |
| Total installation time  | 1.5                      |
| Excavation volume        | 0.25yd <sup>3</sup>      |
| Concrete volume          | 0yd <sup>3</sup>         |
| Footing depth (standard) | 1'6"                     |
| Shipment weight          | 95lbs                    |
| Anchoring options        | In-ground ✓<br>Surface ✓ |
| Warranty Information     |                          |
| EcoCore HDPE             | Lifetime                 |
| Hot dip galvanized steel | Lifetime                 |
| Spare Parts Availability | 10 Years                 |
| Springs                  | 5 Years                  |



Handle is made of polypropylene PP with excellent impact strength and usable within a large temperature span.



Seat is made of Ekogrip™ panel that consist of a 15mm thick PE base with 3 mm top-layer of soft rubber with a non-skid effect.

| Elevated activities 0 | Accessible elevated activities | Accessible ground level activities | Accessible ground level play types |
|-----------------------|--------------------------------|------------------------------------|------------------------------------|
| Present               | 0                              | 1                                  | 1                                  |
| Required              | 0                              | 1                                  | 1                                  |



# Sustainability Data

M166



| Cradle to Gate A1-A3 | Total CO <sub>2</sub> emission | CO <sub>2</sub> e/kg    | Recycled materials |
|----------------------|--------------------------------|-------------------------|--------------------|
|                      | kg CO <sub>2</sub> e           | kg CO <sub>2</sub> e/kg | %                  |
| <b>M16601-01P</b>    | 80.87                          | 2.04                    | 59.51              |

The overall framework applied for these factors is the Environmental Product Declaration (EPD), which quantifies "environmental information on the life cycle of a product and enable comparisons between products fulfilling the same function" (ISO, 2006). This follows the structure and applies a Life-Cycle Assessment approach to the entire Product stage from raw material through manufacturing (A1-A3))

**Kompan A/S**  
 C.F. Tietgens Boulevard 32C  
 DK-5220 Odense SØ  
 Denmark



## Verification of CO<sub>2</sub> calculation of: Freestanding play equipment



Data version no. 2023-10-05

The CO<sub>2</sub> calculation and data are in compliance with the principles of a carbon footprint impact according to the GHG protocol (Greenhouse Gas Protocol), Scope 3, cradle to gate related to all individual components in the product category: "Freestanding play equipment" represented by item no.: GXY916012-3417.

(Scope 3 emissions include emission sources in the upstream and downstream value chain).

**Date: 30. October 2023 | Valid until: 30. October 2025**

**Verified by:**

Julie Marie Vejsgaard Larsen, LCA & EPD Consultant

Verification based on report: Validation of CO<sub>2</sub> calculation of 9 categories of Kompan product line, version 1.0, prepared by: Bureau Veritas HSE, Denmark: Julie M. V. Larsen.

**Publication date: 30. October 2023**

**By Bureau Veritas HSE**  
 www.bureauveritas.dk  
 +45 7731 1000

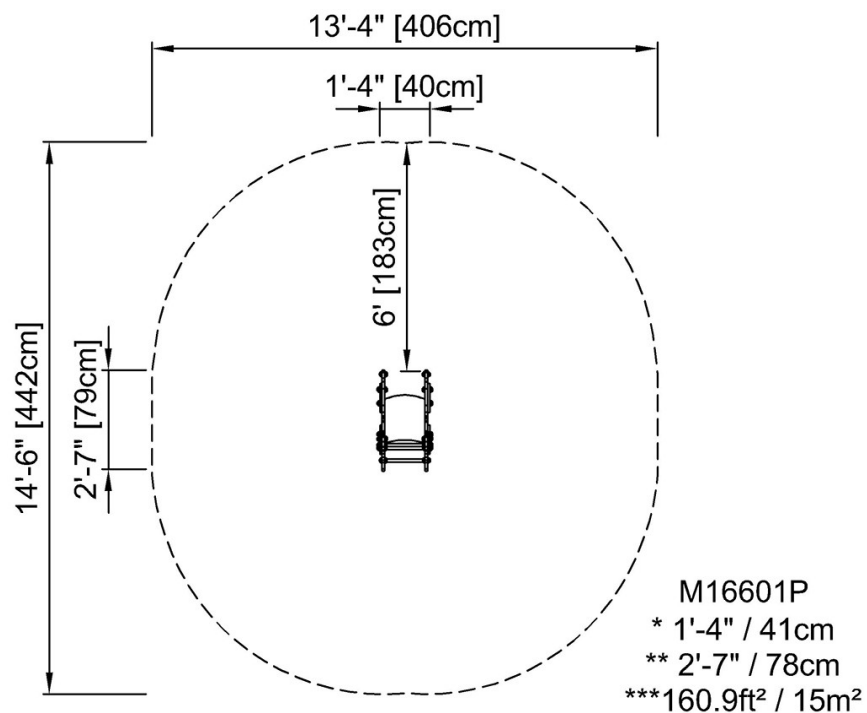


# Ambulance

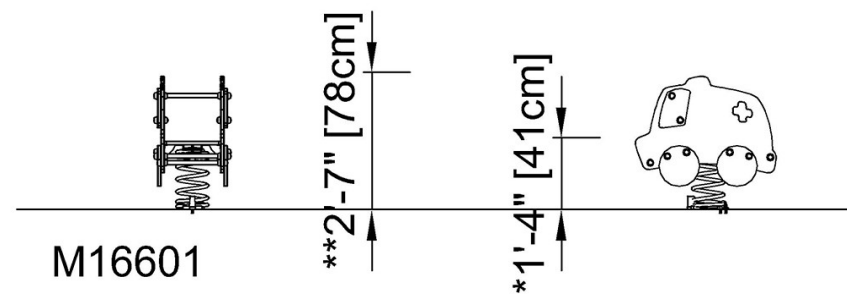
M166

\* Max fall height | \*\* Total height | \*\*\* Safety surfacing area

\* Max fall height | \*\* Total height



[Click to see TOP VIEW](#)



[Click to see SIDE VIEW](#)