

Up & Over Net

NRO812



The Up and Over net is a fantastic way to train young children's gross motor skills while having fun. The children will challenge themselves and their friends with how fast they can navigate over, which simultaneously trains balance, strength and coordination, as well as social skills. It is made of durable Robinia timber, which provides an organic structure that can

either blend into or stand out from your surrounds. Children can touch and feel the timber while playing, observing how nature inspiration interacts with the built environment.

Item no. NRO812-1001

General Product Information

Dimensions LxWxH	210x140x140 cm
Age group	4+
Play capacity (users)	2
Colour options	 



Up & Over Net

NRO812



Top beam

Physical: climbing over the top beam demands good spatial awareness and involves risk taking. **Social-Emotional:** great destination for a break with friends.



Climbing net

Physical: the inclined net supports the upward climbing movement of the body. The net supports cross-body coordination, which impacts coordination of the right and left part of brain, fundamental for other skills such as the ability to read. The asymmetry of the net challenges the children's climbing.

Up & Over Net

NRO812



All organic Robinia products by KOMPAN are made of Robinia wood which is sourced from sustainable plantation farms. On request it can be supplied as FSC® Certified (FSC® C004450).



Nets and ropes are made of UV-stabilised PA with inner steel cable reinforcement. The rope is induction treated to create a strong connection between steel and rope, which leads to durable weather resistance.



The Robinia wood can be supplied as untreated raw wood or painted with a brown coloured transparent pigment that maintains the golden wood colour of the wood.

Item no. NRO812-1001

Installation Information

Max. fall height	110 cm
Safety surfacing area	18.0 m ²
Total installation time	3.4
Excavation volume	0.87 m ³
Concrete volume	0.02 m ³
Footing depth (standard)	100 cm
Shipment weight	127 kg
Anchoring options	In-ground ✓ Surface ✓

Warranty Information

Robinia Wood	15 years
Ropes & Nets	10 years
Spare Parts Guarantee	10 years
Stainless Steel Components	Lifetime



Sustainability Data

NRO812



Cradle to Gate A1-A3	Total CO ₂ emission	CO ₂ e/kg	Recycled materials
	kg CO ₂ e	kg CO ₂ e/kg	%
NRO812-1001	66.09	0.65	6.08

The overall framework applied for these factors is the Environmental Product Declaration (EPD), which quantifies "environmental information on the life cycle of a product and enable comparisons between products fulfilling the same function" (ISO, 2006). This follows the structure and applies a Life-Cycle Assessment approach to the entire Product stage from raw material through manufacturing (A1-A3))

Kompan A/S
 C.F. Tietgens Boulevard 32C
 DK-5220 Odense SØ
 Denmark



Verification of CO₂ calculation of: Nature play



Data version no. 2023-10-05

The CO₂ calculation and data are in compliance with the principles of a carbon footprint impact according to the GHG protocol (Greenhouse Gas Protocol), Scope 3, cradle to gate related to all individual components in the product category: "Nature play" represented by item no.: NRO409-0621.

(Scope 3 emissions include emission sources in the upstream and downstream value chain).

Date: 30. October 2023 | Valid until: 30. October 2025

Verified by:

Julie Marie Vejsgaard Larsen, LCA & EPD Consultant

Verification based on report: Validation of CO₂ calculation of 9 categories of Kompan product line, version 1.0, prepared by: Bureau Veritas HSE, Denmark: Julie M. V. Larsen.

Publication date: 30. October 2023

By Bureau Veritas HSE
 www.bureauveritas.dk
 +45 7731 1000

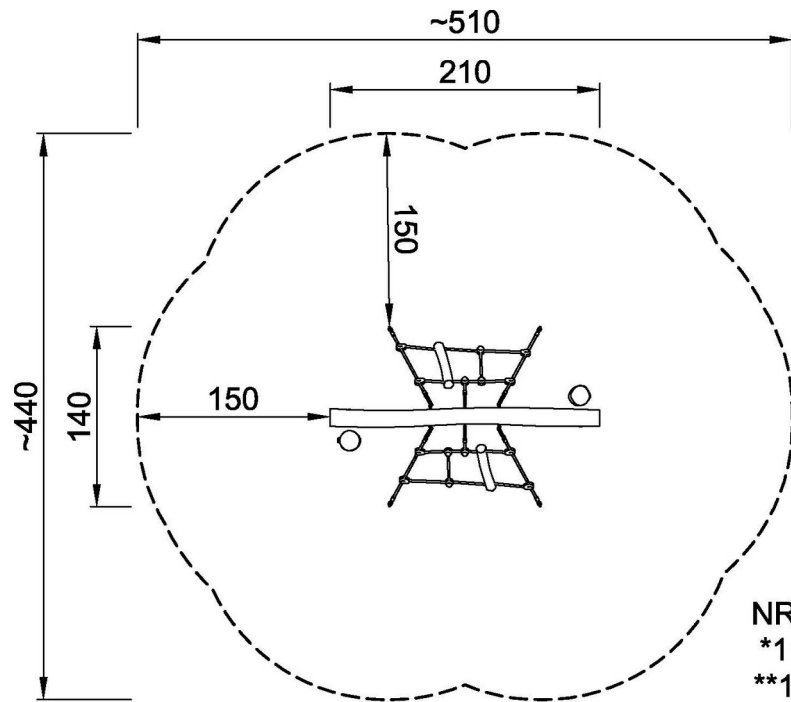


Up & Over Net

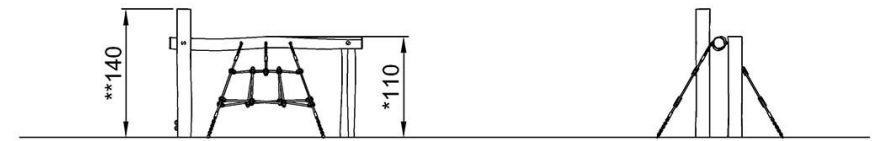
NRO812

* Max fall height | ** Total height | *** Safety surfacing area

* Max fall height | ** Total height



NRO812
*110cm
**140cm
***~18m²



NRO812

[Click to see TOP VIEW](#)

[Click to see SIDE VIEW](#)