


# Lower Back Bench

FSW41100

**KOMPAN**<sup>®</sup>



Item no. FSW41100-0001	
<b>General Product Information</b>	
Dimensions LxWxH	3'5"x2'5"x2'11"
Age group	13+
Capacity (users)	1
Color options	



The Lower Back Bench features an adaptable footrest that accommodates users of all heights, allowing comfortable use without the need for machine adjustments. The cushioned hip support ensures high user comfort. It supports a wide range of back extension exercises, effectively strengthening the hip extensors as well as the lower and upper back

muscles.



# Lower Back Bench

FSW41100



All KOMPAN fitness products are compliant with the ASTM F3101 & EN16630 Outdoor Fitness Standards. Load tests are performed as a static test by adding dynamic factors as well as safety factors to the specified load of 78kg per user. A product intended for 1 user is loaded with 420kg.



All steel components are made from carbon steel, with a hot-dip galvanized surface according to ISO1461, and a powder coating corrosion class C3 according to ISO12944-2. Lead content for surfaces is below 90ppm, and below 100ppm for base material.



The distance between the two handles is 667mm. The handles make it easier for the user to get on and of the equipment and allow alternative exercises like dips.

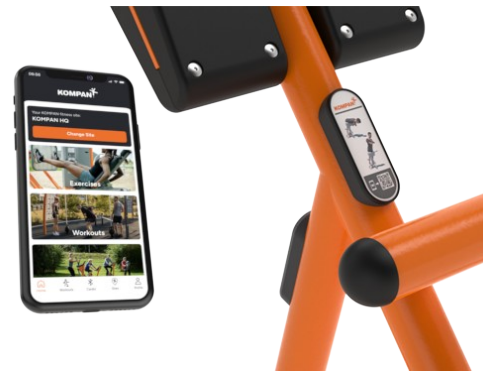
Item no. FSW41100-0001	
Installation Information	
Max. fall height	2'11"
Safety surfacing area	105ft <sup>2</sup>
Total installation time	0.0 hours
Excavation volume	0yd <sup>3</sup>
Concrete volume	0yd <sup>3</sup>
Footing depth (standard)	0'0"
Shipment weight	228lbs
Anchoring options	
Warranty Information	
Galvanized/painted metal	10 Years
Hollow PE Parts	10 Years
Spare Parts Availability	10 Years



The Bench has 3 footrest positions to fit users of all sizes and to vary exercises.



A compact and durable foam positioned at the hips provides support and ensures a comfortable and stable position during exercise.



The information sign is made of PA6 (polyamide) and shows the most relevant exercise and a QR code. The QR code links to a video of the exercise in the KOMPAN Fitness App, which provides a large amount of exercises and training.

**ASTM  
F3101  
compliant**

# Sustainability Data

FSW41100



Cradle to Gate A1-A3	Total CO <sub>2</sub> emission	CO <sub>2</sub> e/kg	Recycled material
	kg CO <sub>2</sub> e	kg CO <sub>2</sub> e/kg	%
FSW41100-0001	0.00	0.00	0.00

The overall framework applied for these factors is the Environmental Product Declaration (EPD), which quantifies "environmental information on the life cycle of a product and enable comparisons between products fulfilling the same function" (ISO, 2006). This follows the structure and applies a Life-Cycle Assessment approach to the entire Product stage from raw material through manufacturing (A1-A3))



## Independent review certificate

Kompan A/S  
C. F. Tietgens Blvd. 32C, 5220 Odense SØ

Bureau Veritas hereby attests that the CO<sub>2</sub>e-calculations (covering materials, processing, waste and transport) done by Kompan for "Fitness", meet the requirements set by the listed standard.

Kompan A/S uses a selection of EPDs and emission factors from the Life Cycle Assessment database Ecoinvent 3.11. These values are reported as kg CO<sub>2</sub>e, with all other impact categories excluded in line with the scope of ISO 14067:2018. The emission factors cover, material use, manufacturing processes, transport to Kompan, and electricity used during manufacturing. The presented emissions fall under GHG Protocol scope 3 emissions. Scope 1 and 2 are not presented. Scope 3 emissions include emission sources in the upstream value chain of a company, downstream emissions are excluded in this analysis.

Method: ISO 14067:2018 using GHG protocol guidance documents, reported as kg CO<sub>2</sub>e.

### Object

The verification has been done on the one pager "FAZ10100-0900" version: 27-10-2025. The supporting documentation "KOMPAN data\_updated emissions factors\_2025\_V2" and "Emissions factors, EPD's and ecoinvent 3.11\_2025" was also reviewed and approved.

### Declaration

The review has been completed as a critical review with a limited assurance. I hereby confirm that nothing has come to the reviewer's attention which would lead to conclude that the study does not give an accurate depiction or isn't completed following method of the CO<sub>2</sub>e calculation, the requirements of ISO 14067:2018, and 14071:2024, in the above referenced documentation.

**Note:** This verification only covers calculation elements according to method described in ISO 14067:2018 and may not be seen as a Life Cycle Assessment according to ISO 14067:2018.

**Ref.:** Kompan\_Verification report 2025, 28-10-2025

**Date of certificate:** 29-10-2025

**Expire date:** 29-10-2027

**Verified by:** Julie Marie Vejsgaard Larsen, Environmental Auditor

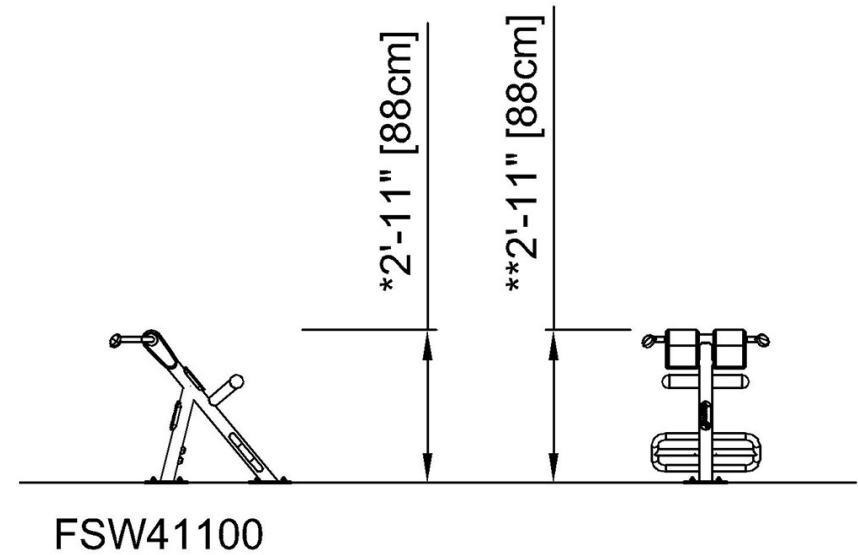
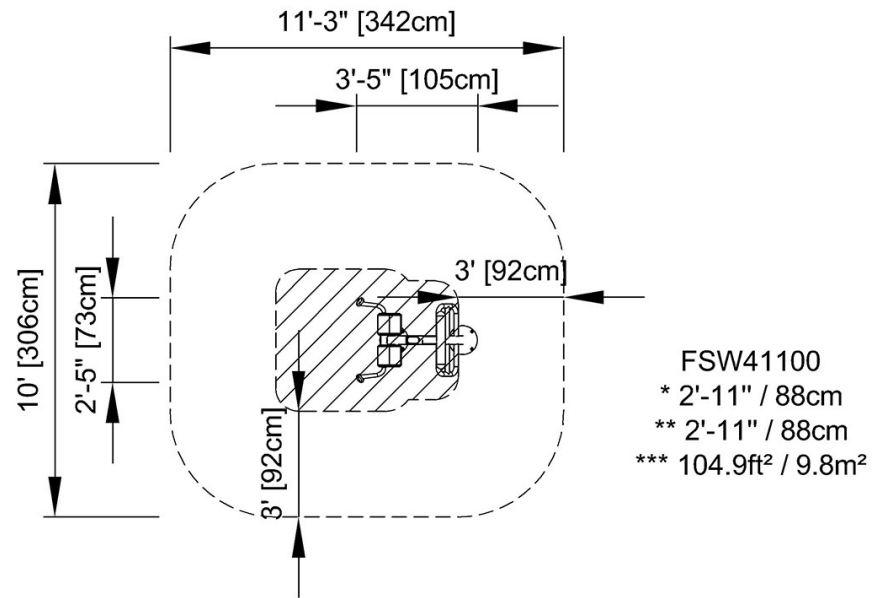
**Signature:**

# Lower Back Bench

FSW41100

\* Max fall height | \*\* Total height | \*\*\* Safety surfacing area

\* Max fall height | \*\* Total height



[Click to see TOP VIEW](#)

[Click to see SIDE VIEW](#)