

Leg Press Pro

FAZ603

KOMPAN
Let's play



产品编号 FAZ60300-0001

产品信息概览

长宽高尺寸	162x236x214 cm
适用年龄段	13+
容纳人数	1
颜色选择	



查看 KOMPAN Fit 健身应用程序了解更多信息



通过可调节负荷、可调节座椅和大型脚踏板，该设备便于用户进行适合个人情况的练习，在水平向前运动中加强髌关节伸展肌、膝关节伸展肌和踝关节肌肉的力量。Bench 和力量训练器的组合可以对所有主要肌肉群进行简单、安全和有效的力量训练，可以提高日常运动能力，尤其是对老年人的日常运动能力、运动表现、身体姿势和新陈代谢能力有益。该设备可以进行 130kg 的

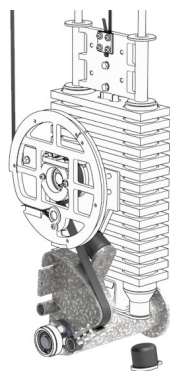
重量训练，可通过智能专利手柄以 10kg 为单位进行调节，非常易于使用，放置在户外也完全安全！

Leg Press Pro

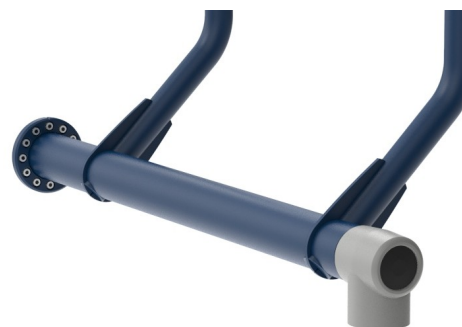
FAZ603



The cover protects all the moving parts from vandalism and entrapments. The cover is made of 5mm rotomolded LLDPE, Linear low-density polyethylene, with excellent impact strength and usable within a large temperature span.



The resistance unit and all mechanical stops are hidden in the fully closed cabinet. As a result, entrapment is not possible, making it extremely safe to use and providing protection against the elements. The products are EN 16630 certified and comply with the ASTM F3101 for unsupervised outdoor fitness equipment.



The input shaft is Ø101,3 x 2,9mm S355 Hot Dip Galvanized and Powder-coated steel. The bearing house is Caste Aluminum (EN AB-44100 / EN AB-AISi12(a)) with self-aligning sealed ball bearings. An extremely strong and durable construction

产品编号 FAZ60300-0001

安装信息

最大跌落高度	63 cm
安全面积	20.5 m ²
安装总时长	10.0
开挖量	0.00 m ³
混凝土使用量	0.00 m ³
标准入地深度	0 cm
运输重量	771 kg
固定选项	地表 ✓

质保信息

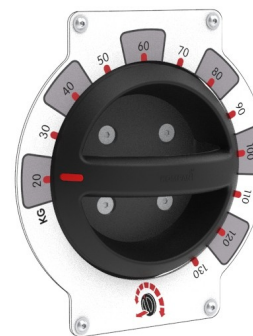
镀锌钢结构	终身质保
活动部件	2 年
PUR 部件	10 年
ROSTA 元素	2 年
承保零部件	10 年



The footplate is made from Stainless Steel this provides good protection against corrosion. The plate also has an Anti Slip texture for optimal grip.



The seat and head support are made of Polyurethane Rubber and have a steel insert plate that connects it to the steel frame. The seat is adjustable in 14 different settings to fit users from 140/ 205 cm tall and to vary the type of exercises. The seat is positioned under a 12-degree angle and the back supports a 48-degree angle. The back support has a groove, accommodating a comfortable position.



The 130kg weight stack is fully covered and can be adjusted with a rotatable handle in 12 steps of 10 kg. The smart selector system is intuitive in use and patent-pending. No pins that get lost or get stuck, you simply pull and rotate the handle to select a different weight.



Sustainability Data

FAZ603



从原材料到成品	CO ₂ 排放总量	CO ₂ 排放量 / 千克	回收的原料
	kg CO ₂ e	kg CO ₂ e/kg	%
FAZ60300-0001	1,713.43	2.97	44.80

这些因素采用的总体框架为环保产品声明 (EPD), 该声明可量化“产品生命周期的环保信息, 并对相同功能的产品进行对比”(ISO, 2006)。在遵循该框架的同时, 对从原材料到制造的整个产品阶段 (A1-A3) 应用生命周期评估法。

Kompan A/S
C.F. Tietgens Boulevard 32C
DK-5220 Odense SØ
Denmark



Verification of CO₂ calculation of: Fitness



Data version no. 2023-10-05

The CO₂ calculation and data are in compliance with the principles of a carbon footprint impact according to the GHG protocol (Greenhouse Gas Protocol), Scope 3, cradle to gate related to all individual components in the product category: "Fitness" represented by item no.: FAZ10100-0900.

(Scope 3 emissions include emission sources in the upstream and downstream value chain).

Date: 30. October 2023 | Valid until: 30. October 2025

Verified by:

Julie Marie Vejsgaard Larsen, LCA & EPD Consultant

Verification based on report: Validation of CO₂ calculation of 9 categories of Kompan product line, version 1.0, prepared by: Bureau Veritas HSE, Denmark: Julie M. V. Larsen.

Publication date: 30. October 2023

By Bureau Veritas HSE
www.bureauveritas.dk
+45 7731 1000

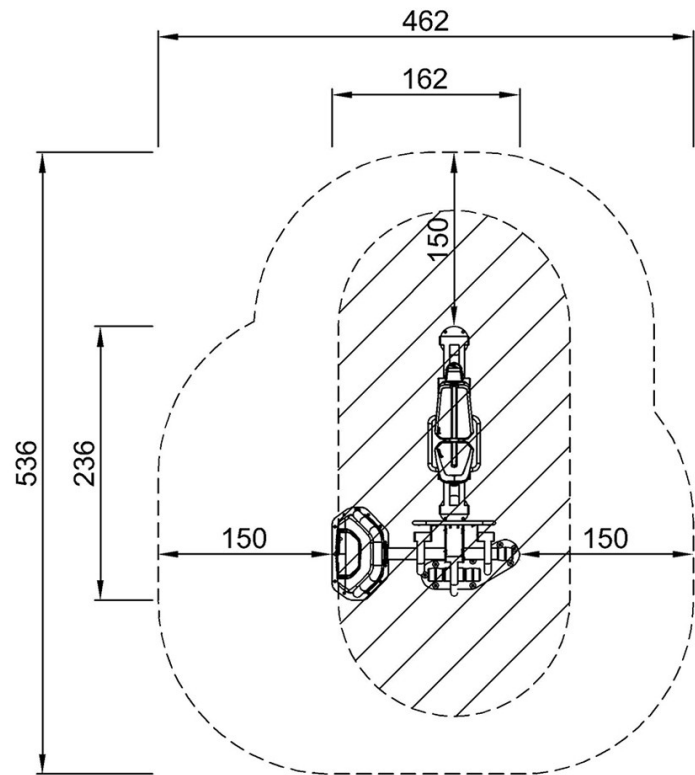


Leg Press Pro

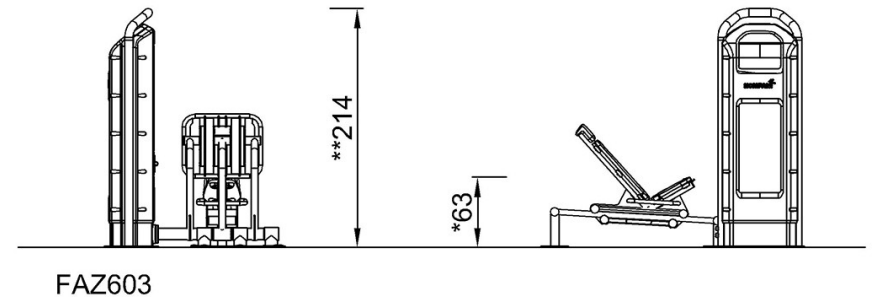
FAZ603

最大跌落高度 | 总高度 | 安全区域

最大跌落高度 | 总高度



FAZ60300
*63cm
**214cm
***20.5m²



[点击查看俯视图](#)

[点击查看侧面图](#)