

Motorcycle Seesaw

M183



Item no. M18301-01P

General Product Information

Dimensions LxWxH	55x310x81 cm
Age group	3+
Play capacity (users)	4
Colour options	



The Motorcycle seesaw encourages children to join in with play, so they can rock together. The cartoonish design, a KOMPAN classic, attracts children of all ages. The sturdy hand and foot supports allow children to rock lightly or wildly, depending on their mood. The spring base allows different age groups, even adults, to rock together. Thrill seekers can stand on the

middle platform, feeling all the movements of the equipment. The platform also allows for socialising; either laying or sitting. There is room enough for a care giver, too, making it inclusive for everyone. The seats at the end are big enough for older children as well as adults. The fun thrill of rocking, individually or in pairs or groups, encourages children to play for

longer. Rocking on the Motorcycle seesaw trains the children's muscles and motor skills, e.g. balance and coordination. The seesaw supports the development of social-emotional skills including cooperation, consideration, and turn-taking.



Motorcycle Seesaw

M183



Theme

Cognitive: suggests a theme and supports dramatic play, which stimulates language and communication skills.



Center platform

Physical: supports agility, balance and coordination when standing, using leg and core muscles, building bone density when jumping. **Social-Emotional:** teamwork and socialising when rocking together.



Rocking together

Social-Emotional: the possibility of rocking two together trains cooperation skills and consideration of others.



Rocking spring

Physical: response to movements adds to spatial awareness and sense of balance which are fundamental motor skills. **Cognitive:** trains the understanding of cause and effect: when I move my body, the spring responds with movement.



Foot support

Physical: the footrest supports intensive rocking, simulating the senses of balance and space and supports coordination and muscle strength.



Handhold

Physical: opens more hold positions and ensures good grip, necessary for rocking intensely which trains hand and arm muscles.

Motorcycle Seesaw

M183



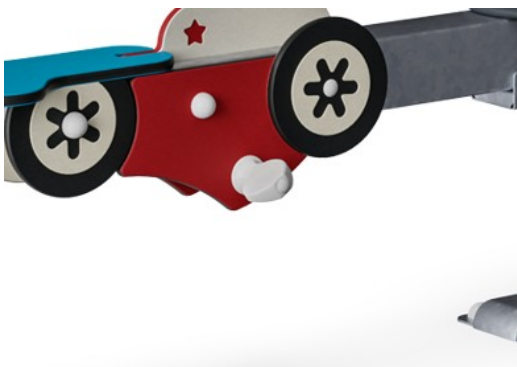
Panels of 19mm EcoCore™. EcoCore™ is a highly durable, eco-friendly material, which is not only recyclable after use but also consists of a core produced from 100% recycled material.



KOMPAN's springs are manufactured from high-quality spring steel. The springs are cleaned by phosphating before being painted with epoxy primer and polyester powder coating. The springs are fixed by unique anti-pinch fittings for maximum safety and longevity.



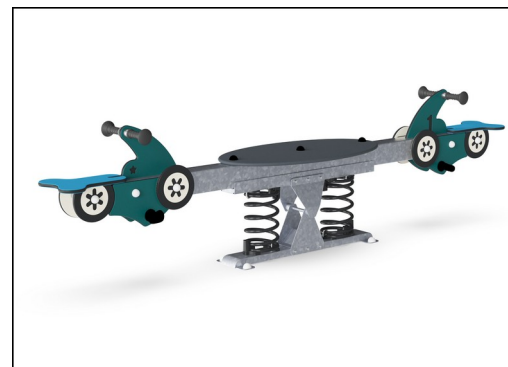
The springs are fixed by unique anti-pinch fittings for maximum safety and longevity.



Footrests are made from injection moulded high-quality nylon (PA6) that will withstand the test of time.



The steel support posts are hot-dip galvanised inside and outside with lead free zinc. The galvanisation has excellent corrosion resistance in outside environments and requires low maintenance.



KOMPAN GreenLine versions are designed with ultimate environmentally friendly materials with the lowest possible CO2e emission factor such as EcoCore™ panels of 100% post consumer recycled ocean waste.

Item no. M18301-01P	
Installation Information	
Max. fall height	100 cm
Safety surfacing area	13.5 m ²
Total installation time	4.7
Excavation volume	0.42 m ³
Concrete volume	0.00 m ³
Footing depth (standard)	42 cm
Shipment weight	175 kg
Anchoring options	In-ground ✓ Surface ✓
Warranty Information	
EcoCore HDPE	Lifetime
Galvanised Steel	Lifetime
HPL Platform	15 years
Spare Parts Guarantee	10 years
Springs	5 years



Sustainability Data

M183



Cradle to Gate A1-A3	Total CO ₂ emission	CO ₂ e/kg	Recycled materials
	kg CO ₂ e	kg CO ₂ e/kg	%
M18301-01P	289.03	2.38	43.81

The overall framework applied for these factors is the Environmental Product Declaration (EPD), which quantifies "environmental information on the life cycle of a product and enable comparisons between products fulfilling the same function" (ISO, 2006). This follows the structure and applies a Life-Cycle Assessment approach to the entire Product stage from raw material through manufacturing (A1-A3))

Kompan A/S
C.F. Tietgens Boulevard 32C
DK-5220 Odense SØ
Denmark



Verification of CO₂ calculation of: Freestanding play equipment



Data version no. 2023-10-05

The CO₂ calculation and data are in compliance with the principles of a carbon footprint impact according to the GHG protocol (Greenhouse Gas Protocol), Scope 3, cradle to gate related to all individual components in the product category: "Freestanding play equipment" represented by item no.: GXY916012-3417.

(Scope 3 emissions include emission sources in the upstream and downstream value chain).

Date: 30. October 2023 | Valid until: 30. October 2025

Verified by:

Julie Marie Vejsgaard Larsen, LCA & EPD Consultant

Verification based on report: Validation of CO₂ calculation of 9 categories of Kompan product line, version 1.0, prepared by: Bureau Veritas HSE, Denmark: Julie M. V. Larsen.

Publication date: 30. October 2023

By Bureau Veritas HSE
www.bureauveritas.dk
+45 7731 1000

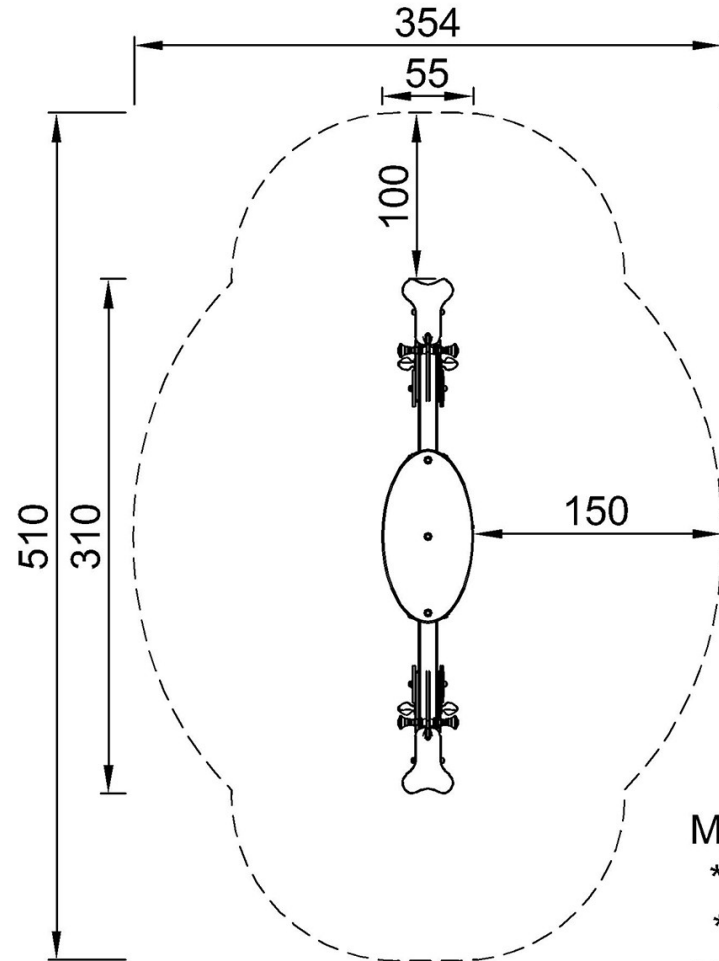


Motorcycle Seesaw

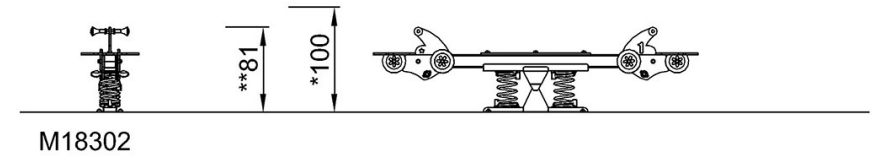
M183

* Max fall height | ** Total height | *** Safety surfacing area

* Max fall height | ** Total height



M18302P
*100cm
**81cm
***13.5m²



[Click to see TOP VIEW](#)

[Click to see SIDE VIEW](#)