


MUGA, 20 x 39 ft, Steel, 3 ft Walls

FRE601701

KOMPAN
Let's play



Item no. FRE601701-0501	
General Product Information	
Dimensions LxWxH	39'10"x20'6"x3'5"
Age group	3+
Play capacity (users)	-
Color options	



The distance between the vertical tubes is small enough to keep even small balls, such as field hockey balls, inside the pitch at all times. By embedding the tubes into the steel frame we have created an extremely vandalism proof Panel that can be placed in the toughest of neighborhoods. The galvanized tubes almost disappear from a distance. This transparent

design makes it easy to follow the game and makes the architectural environment stand out. All panels are connected to the posts with plugs made from Thermoplastic Vulcanizates (TPV). The plugs reduce the vibration in the MUGA & provide an easy installation.

MUGA, 20 x 39 ft, Steel, 3 ft Walls

FRE601701



The Ø21.3 mm x 2 mm tubes are embedded in the steel panel which avoids cracks and prevent the tubes from braking out of the steel frame. Creating an extremely strong, vandalism proof solution.



All steel components are manufactured from carbon steel, welding's according EN ISO 5817 & Hot dip galvanised (HDG) according to ISO1461. This process ensures good protection in all circumstances.



The posts are made of 80 x 80 x 3mm profile with horizontally, 6mm welded flanges. This will enable an easy installation and strong construction. The low-density polyethylene post caps are attached with blind rivets.

Item no. FRE601701-0501	
Installation Information	
Max. fall height	0'0"
Safety surfacing area	0ft ²
Total installation time	12.7
Excavation volume	1.39yd ³
Concrete volume	1.14yd ³
Footing depth (standard)	2'9"
Shipment weight	1633lbs
Anchoring options	In-ground ✓ Surface ✓
Warranty Information	
EcoCore HDPE	Lifetime
HDG post	Lifetime
Spare Parts Availability	10 Years



Each panel has 4 Thermoplastic Vulcanizates plugs connecting the panels to the posts. The plugs reduce the vibration and therefore reduce the noise level. The plugs will also simplify installation as the come with pre-assembled nuts.



KOMPAN Multi Use Games Areas (MUGA) are designed as a flexible system. With the configurator you can easily change size, height, panels, entrances and goals to create a MUGA that fits your environment, budget and purpose.



The Mini Goals are 147 x 90cm and the distance between the vertical Ø 21.3mm tubes is 68mm, small enough to keep all balls in play. The goal is framed with coloured HDPE strips to highlight the target.

Sustainability Data

FRE601701



Cradle to Gate A1-A3	Total CO ₂ emission	CO ₂ e/kg	Recycled materials
	kg CO ₂ e	kg CO ₂ e/kg	%
FRE601701-0501	1,914.84	2.56	50.23

The overall framework applied for these factors is the Environmental Product Declaration (EPD), which quantifies "environmental information on the life cycle of a product and enable comparisons between products fulfilling the same function" (ISO, 2006). This follows the structure and applies a Life-Cycle Assessment approach to the entire Product stage from raw material through manufacturing (A1-A3))

Kompan A/S
 C.F. Tietgens Boulevard 32C
 DK-5220 Odense SØ
 Denmark



Verification of CO₂ calculation of: Sport



Data version no. 2023-10-05

The CO₂ calculation and data are in compliance with the principles of a carbon footprint impact according to the GHG protocol (Greenhouse Gas Protocol), Scope 3, cradle to gate related to all individual components in the product category: "Sport" represented by item no.: FRE600202-0901.

(Scope 3 emissions include emission sources in the upstream and downstream value chain).

Date: 30. October 2023 | Valid until: 30. October 2025

Verified by:



Julie Marie Vejsgaard Larsen, LCA & EPD Consultant

Verification based on report: Validation of CO₂ calculation of 9 categories of Kompan product line, version 1.0, prepared by: Bureau Veritas HSE, Denmark: Julie M. V. Larsen.

Publication date: 30. October 2023

By Bureau Veritas HSE
 www.bureauveritas.dk
 +45 7731 1000

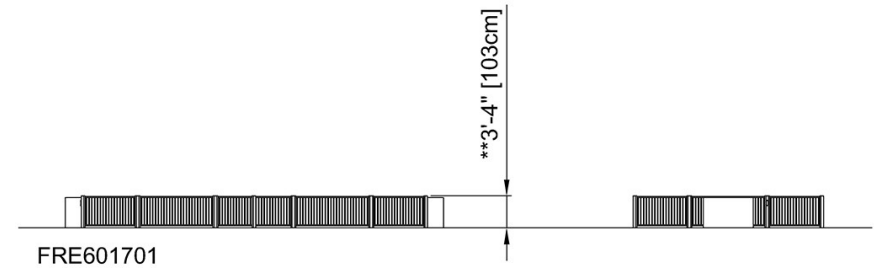
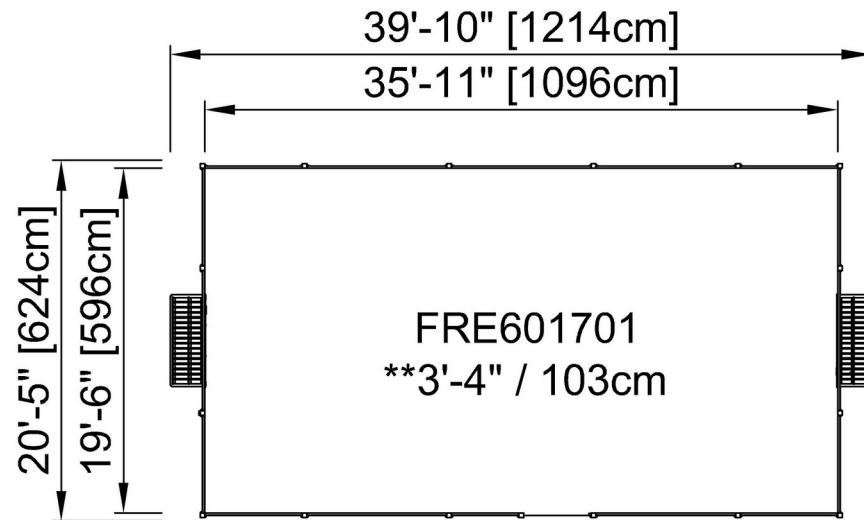


MUGA, 20 x 39 ft, Steel, 3 ft Walls

FRE601701

* Max fall height | ** Total height | *** Safety surfacing area

* Max fall height | ** Total height



[Click to see TOP VIEW](#)

[Click to see SIDE VIEW](#)